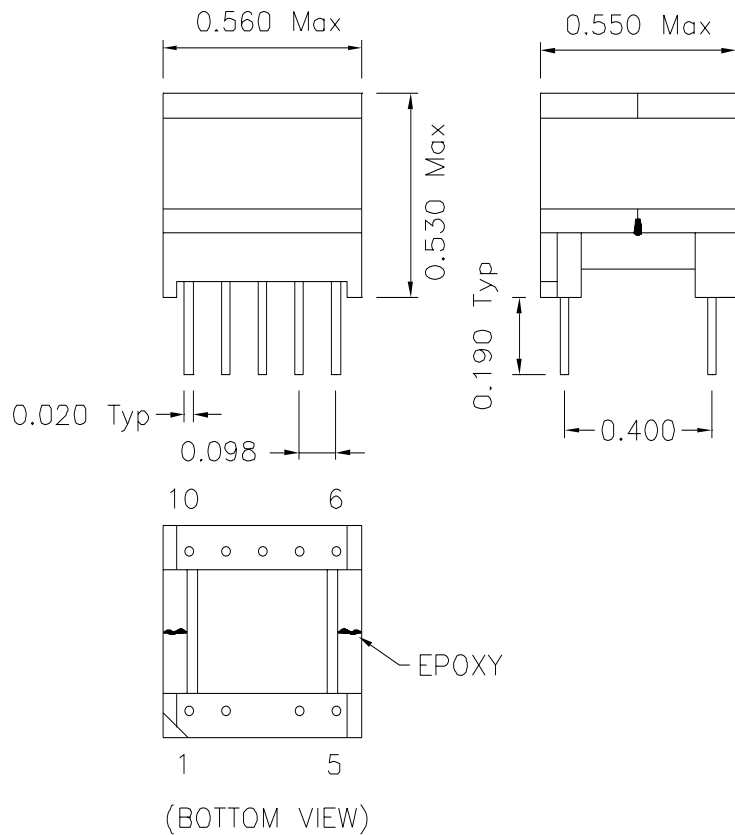


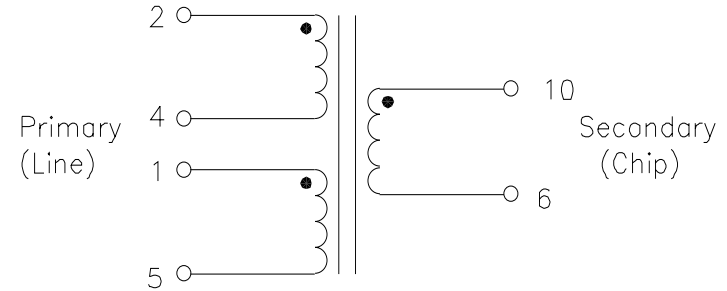
1. Mechanical Dimensions:



XFMR5
XF1313
-9HDA
YYWW ●

TOP VIEW

2. Schematic:



3. Electrical Specifications:

OCL: (Pins 2-5) 2.5mH ±6% 10KHz, 0.1V 0/100mAdc

Leakage L: (Pins 2-5) 30.0uH Max 100KHz, 0.1V
Short Pins 10-6, tie 4-1

Turns Ratio: (2-5):(10-6) 3.0CS:1±2% Tie 1-4

DC Res: (Pins 10-6) 0.75 Ohms ±15%

DC Res.: (Pins 2-4) 3.30 Ohms ±15%

DC Res.: (Pins 1-5) 3.30 Ohms ±15%

HYPOT: 2500VAC Chip-Line

Operating Temp.: -40 to +85°C

Note: Designed to meet UL1950 Supplementary Insulation requirements for a working voltage up to 300V.

DOC. REV: A/1

XFMR5 Inc	Title: HDL2 TRANSFORMER		
	UNLESS OTHERWISE SPECIFIED		P/N: XF1313-9HDA
	TOLERANCES:		REV. A
	.xxx ±0.010		DWN. 廖玉坤 Nov-08-99
Dimensions in INCH		CHK. 李清儿 Nov-08-99	
SHEET 1 OF 1		APP. Joe Huff Nov-08-99	