



TAI-SAW TECHNOLOGY CO., LTD.

No. 3, Industrial 2nd Rd., Ping-Chen Industrial District,
Taoyuan, 324, Taiwan, R.O.C.

TEL: 886-3-4690038 FAX: 886-3-4697532

E-mail: tstsales@mail.taisaw.com Web: www.taisaw.com

Approval Sheet For Product Specification

Issued Date:

Product Name: SAW Resonator 868.95 MHz SMD 3X3 mm

TST Parts No.: TC0322A

Customer Parts No.: _____

Company: _____
Division: _____
Approved by : _____
Date: _____

Checked by: _____ Asin Lin

Approval by: _____ Francis Chen

Date: _____ 2006/5/09



TAI-SAW TECHNOLOGY CO., LTD.

No. 3, Industrial 2nd Rd., Ping-Chen Industrial District,
Taoyuan, 324, Taiwan, R.O.C.

TEL: 886-3-4690038 FAX: 886-3-4697532

E-mail: tstsales@mail.taisaw.com Web: www.taisaw.com

SAW Resonator 868.95 MHz

MODEL NO.: TC0322A

REV. NO.:1

A. FEATURES:

- 1-Port Resonator.

B. MAXIMUM RATING:

1. Input Power Level: 10 dBm
2. DC voltage: 3 V
3. Operating Temperature: -40°C to +85°C
4. Storage Temperature: -40°C to +85°C

C. ELECTRICAL CHARACTERISTICS:

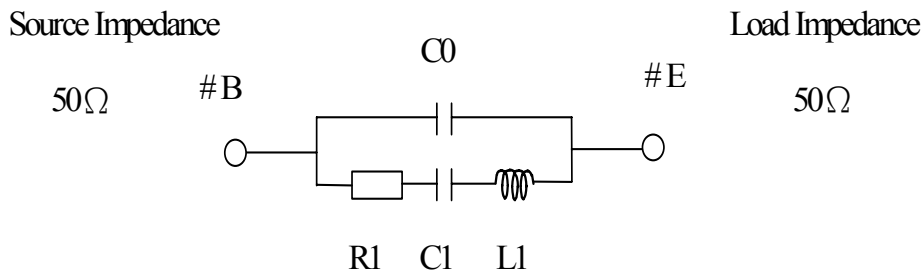
Reference Temperature $T_A=25^\circ\text{C}$

Characteristic	Units	Minimum	Typical	Maximum
Center frequency F_c	MHz	868.85	868.95	869.05
Insertion Loss IL	dB	-	1.25	2.5
Unload quality factor Q_U		-	9800	-
Ageing of f _c	ppm/yr	-	-	±10
Motional capacitance C₁	fF	-	0.98	-
Motional inductance L₁	µH	-	35.93	-
Motional resistance R₁	Ohm	-	20	-
Parallel capacitance C₀	pF	-	2.16	-
Frequency Temperature coefficient C_f)	ppm/c*2	-	0.032	-
Turnover T₀	deg.C	-	25	-
Package size		SMD 3x3x1.1 mm		

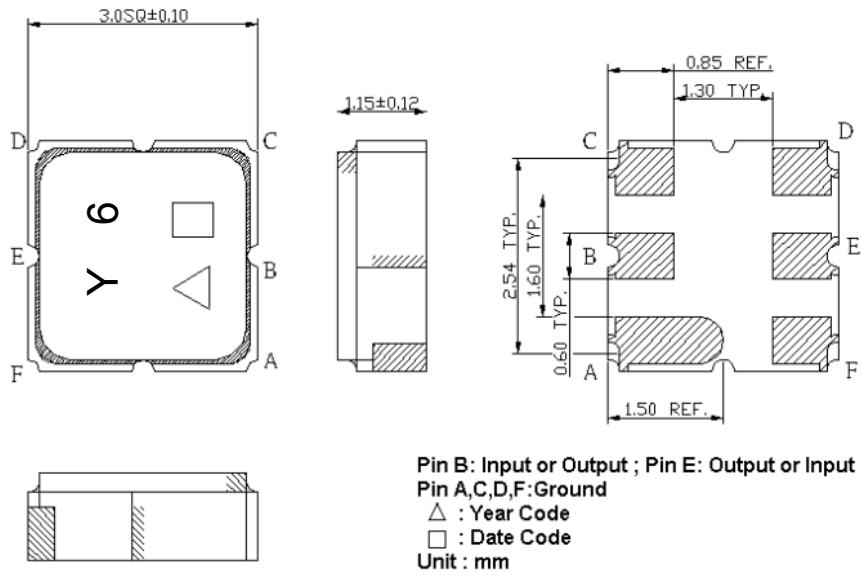
Temperature dependence of f_c: $f_c(T_A)=f_c(T_0)(1+TC_f(T_A-T_0)^2)$

D. EQUIVRENT CIRCUIT:

One-Port Resonator:



E. OUTLINE DRAWING:



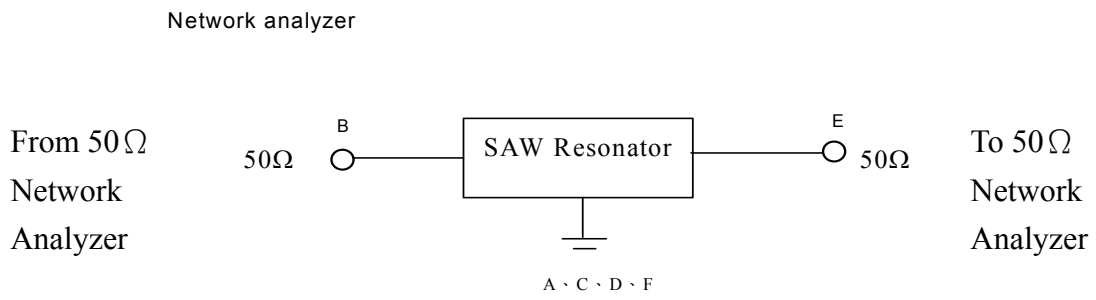
Date code: Provided by planer each year

Year code: 6 for 2006, 7 for 2007, ...

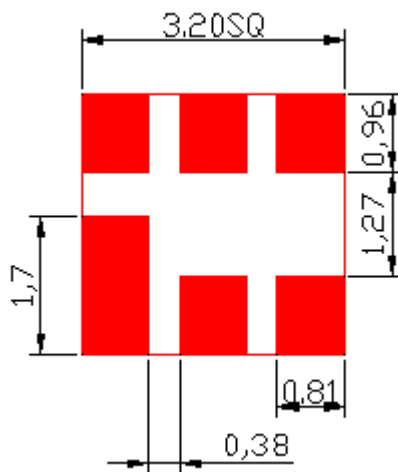
F. FREQUENCY CHARACTERISTICS:



G. TEST CIRCUIT:

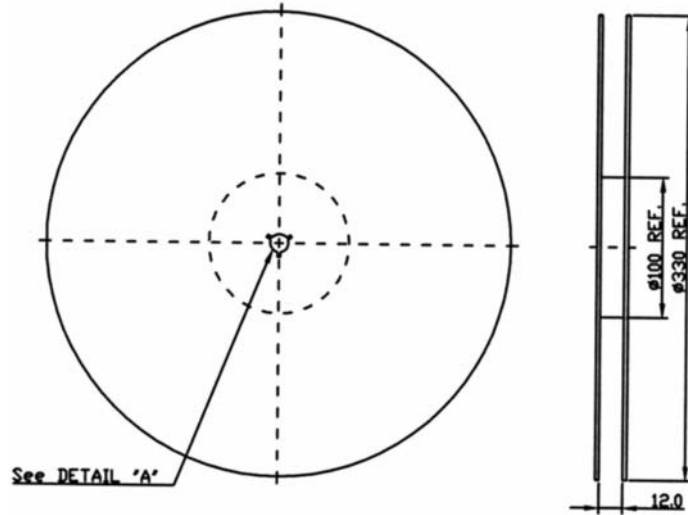


H. LAND PATTERN:

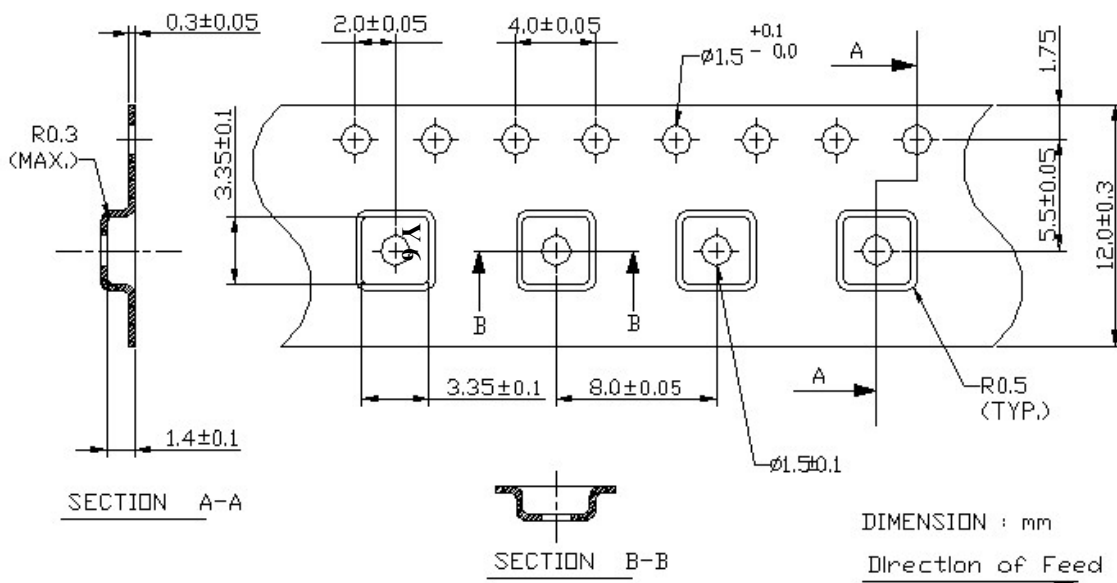


I. PACKING:

1. REEL DIMENSION



2. TAPE DIMENSION



H. RECOMMENDED REFLOW PROFILE:

