



Micro Commercial Components™

Micro Commercial Components  
 20736 Marilla Street Chatsworth  
 CA 91311  
 Phone: (818) 701-4933  
 Fax: (818) 701-4939

# DTA114TCA

## Features

- Case Material: Molded Plastic. UL Flammability Classification Rating 94V-0 and MSL Rating 1
- Built-in bias resistors enable the configuration of an inverter circuit without connecting external input resistors (see equivalent circuit)
- The bias resistors consist of thin-film resistors with complete isolation to allow negative biasing of the input. They also have the advantage of almost completely eliminating parasitic effects
- Only the on/off conditions need to be set for operation, making device design easy

## Absolute Maximum Ratings

Parameter	Symbol	Value	Unit
Collector-Base Voltage	$V_{CBO}$	-50	V
Collector-Emitter Voltage	$V_{CEO}$	-50	V
Emitter-Base voltage	$V_{EBO}$	-5	V
Collector Current-Continuous	$I_C$	-100	mA
Collector Dissipation	$P_C$	200	mW
Junction Temperature Range	$T_J$	-55~150	°C
Storage Temperature Range	$T_{STG}$	-55~150	°C

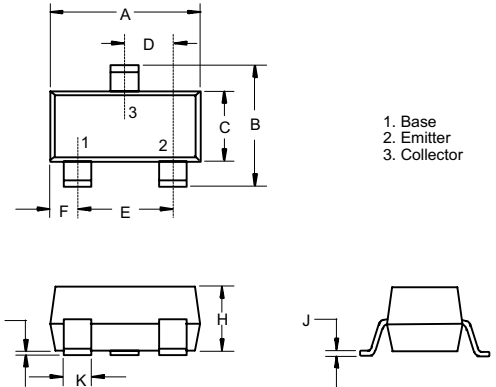
## Electrical Characteristics

Sym	Parameter	Min	Typ	Max	Unit
$V_{(BR)CBO}$	Collector-Base Breakdown Voltage ( $I_C=-50\mu A, I_E=0$ )	-50	---	---	V
$V_{(BR)CEO}$	Collector-Emitter Breakdown Voltage ( $I_C=-1mA, I_B=0$ )	-50	---	---	V
$V_{(BR)EBO}$	Emitter-Base Breakdown Voltage ( $I_E=-50\mu A, I_C=0$ )	-5	---	---	V
$I_{CBO}$	Collector Cut-off Current ( $V_{CB}=-50V, I_E=0$ )	---	---	-0.5	$\mu A$
$I_{EBO}$	Emitter Cut-off Current ( $V_{EB}=-4V, I_C=0$ )	---	---	-0.5	$\mu A$
$h_{FE}$	DC Current Gain ( $V_{CE}=-5V, I_C=-1mA$ )	100	250	600	---
$V_{CE(sat)}$	Collector-Emitter Saturation Voltage ( $I_C=-10mA, I_B=-1mA$ )	---	---	-0.3	V
$R_1$	Input Resistor	7	10	13	K $\Omega$
$f_T$	Transition Frequency ( $V_{CE}=-10V, I_C=-5mA, f=100MHz$ )	---	250	---	MHz

\*Marking: 94

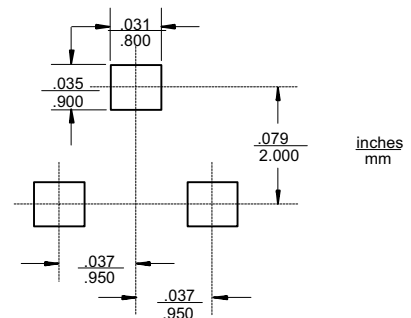
## PNP Digital Transistor

### SOT-23



DIM	INCHES		MM		NOTE
	MIN	MAX	MIN	MAX	
A	.110	.120	2.80	3.04	
B	.083	.098	2.10	2.64	
C	.047	.055	1.20	1.40	
D	.035	.041	.89	1.03	
E	.070	.081	1.78	2.05	
F	.018	.024	.45	.60	
G	.0005	.0039	.013	.100	
H	.035	.044	.89	1.12	
J	.003	.007	.085	.180	
K	.015	.020	.37	.51	

### Suggested Solder Pad Layout



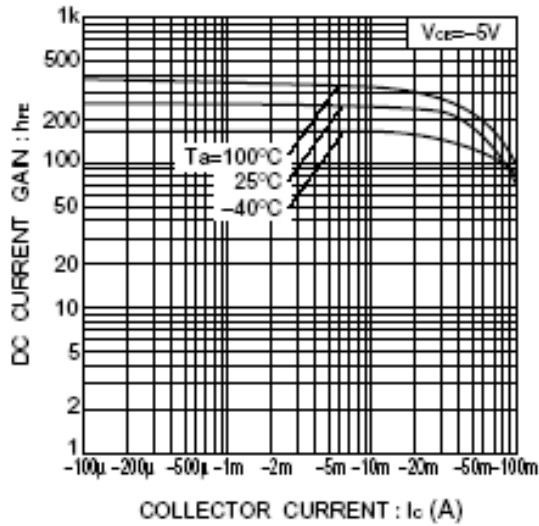


Fig.1 DC current gain vs. collector current

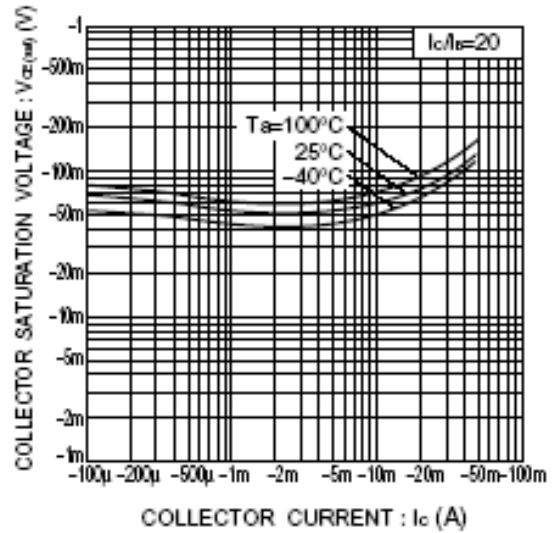
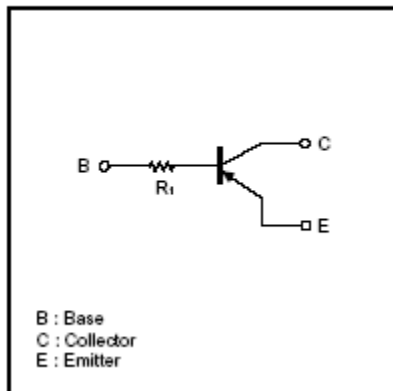


Fig.2 Collector-emitter saturation voltage vs. collector current

●Equivalent circuit





Micro Commercial Components

## Ordering Information

Device	Packing
(Part Number)-TP	Tape&Reel;3Kpcs/Reel

### \*\*\*IMPORTANT NOTICE\*\*\*

*Micro Commercial Components Corp* . reserves the right to make changes without further notice to any product herein to make corrections, modifications , enhancements , improvements , or other changes .  
*Micro Commercial Components Corp* . does not assume any liability arising out of the application or use of any product described herein; neither does it convey any license under its patent rights ,nor the rights of others . The user of products in such applications shall assume all risks of such use and will agree to hold *Micro Commercial Components Corp* . and all the companies whose products are represented on our website, harmless against all damages.

### \*\*\*APPLICATIONS DISCLAIMER\*\*\*

Products offer by *Micro Commercial Components Corp* . are not intended for use in Medical, Aerospace or Military Applications.