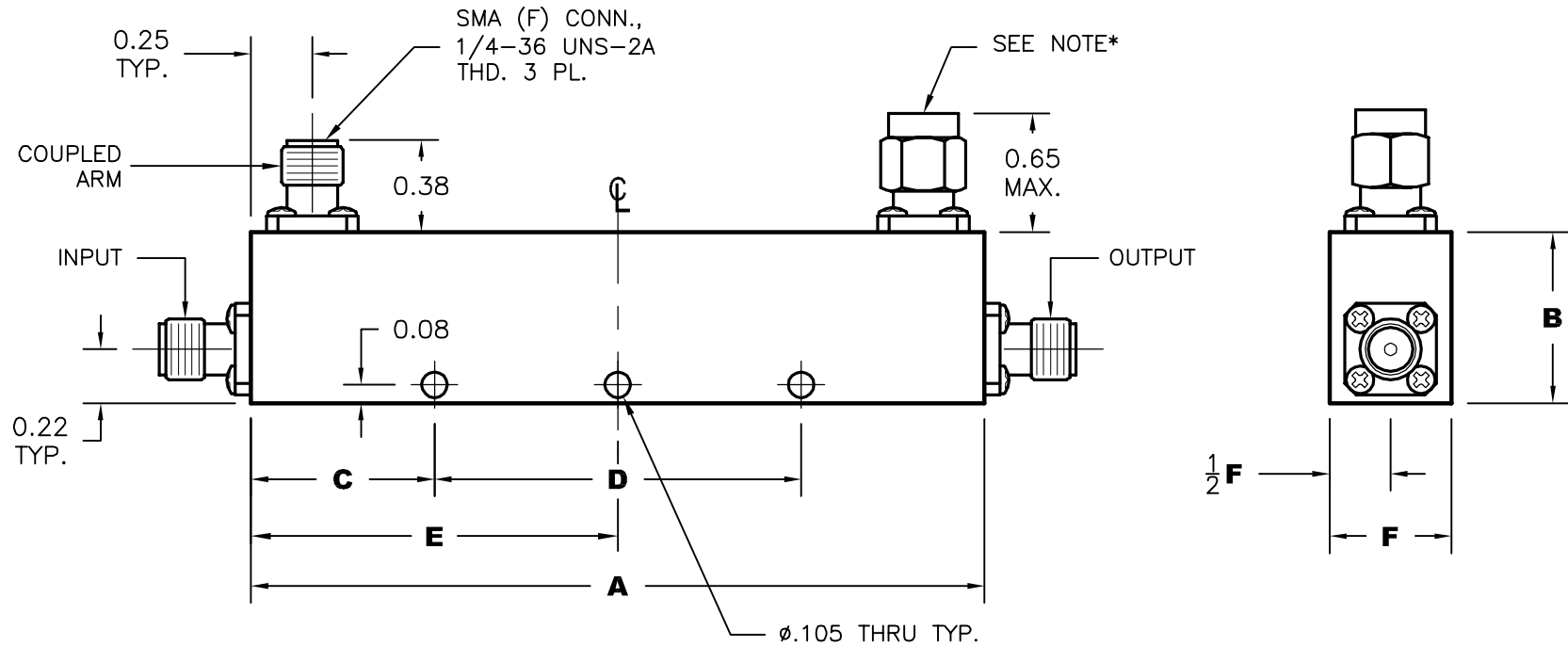


REV A	AUTH RL	DATE 07/01/01	INITIAL RELEASE
REV B	AUTH RL	DATE 08/15/05	SUPERFICIAL DRAWING CHANGES
REV C	AUTH RL	DATE 08/23/07	NOTES UPDATED, TITLE BLOCK UPDATED.



DIMENSIONS IN INCHES						
FIG.	A	B	C	D	E	F
1	3.10	0.50	0.80	1.50	---	0.40
2	3.10	0.55	0.80	1.50	---	0.40
3	1.78	0.50	0.42	0.94	---	0.40
4	1.78	0.55	0.42	0.94	---	0.40
5	1.16	0.50	0.41	0.34	---	0.40
6	1.16	0.55	0.41	0.34	---	0.40
7	1.00	0.50	---	---	0.50	0.40
8	1.00	0.55	---	---	0.50	0.40
9	1.00	0.60	---	---	0.50	0.40

\*NOTE: SECONDARY TERMINATION CAN BE INTERNAL OR EXTERNAL DEPENDING ON MODEL AND SHOULD NOT BE REMOVED. FOR CONNECTORIZED LOADS CONSULT FACTORY.

THIRD ANGLE PROJECTION:		APPROVALS	DATE		ADVANCED TECHNICAL MATERIALS, INC.		THE INFORMATION IN THIS DRAWING IS PROPRIETARY AND SHALL NOT BE USED OR DISCLOSED WITHOUT THE PRIOR WRITTEN CONSENT OF ATM, INC. DO NOT SCALE DWG.
UNLESS OTHERWISE NOTED, DIMENSIONS ARE IN INCHES, TOLERANCES ARE: FRACTIONS: $\pm 1/64$ ANGLES: $\pm 1/2^\circ$		DRAWN RL	7/17/01		TEL: (631) 289-0363 FAX: (631) 289-0358 www.atmmicrowave.com		
BASIC DIMENSION	DECIMALS 2 PLACE	DECIMALS 3 PLACE	APRVD.	<h2 style="text-align: center;">OUTLINE,</h2> <h3 style="text-align: center;">DIRECTIONAL COUPLER, SMA, OCTAVE BAND</h3>			
UNDER 6"	$\pm .02$	$\pm .005$	MATERIAL ALUM.				
6" - 12"	$\pm .03$	$\pm .010$	TREATMENT -				
OVER 12"	$\pm .06$	$\pm .015$	FINISH -	SIZE A	CAGE CODE OR8N4	ATM DWG # 4444W	REVISION C
				SCALE NONE	MODEL # C11X-XX	SHEET 1/1	