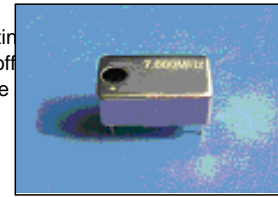


ACT3A04T (TCXO) ACT3A04VT (VCTCXO)

Compatible with Eu Directive
 2002/EC - RoHS

The ACT3A04T/ VT family is a range of low frequency TC/ VCTCXOs housed in through hole packages, with various height options, and provides for tight frequency stabilities across a wide operating temperature and supply voltage range. Parts are available with internal trimmer options. The devices offer good reliability at a low cost and, whilst primarily developed for Communications Applications, they are also very suitable for many other applications including Instrumentation, Phase Locked Loops, Video Game & many Consumer Applications.



Specification

Parameter	Symbol	Specification	Conditions
Supply Voltage	Vcc	3.3V DC, 5.0VDC & 8.0VDC(±5%)	VCTCXO 3.0 & 5.0V Only
Frequency Range	fo	500kHz ~ 8.00 MHz	Please specify
Temp Operating Range	Topr	See table below for available range	
Temp Storage Range	Tstg	-55 to +85°C	
<u>Initial Calibration Tolerance</u>	$\Delta f/fo$	Adjust to the nominal frequency ±1.0ppm Typical @ 25°C ±2.0°C	With internal trimmer Without internal trimmer
Frequency Stability			
vs Operating Temp	$\Delta f/fo$	See table below for available stabilities	Please specify
vs Change in Vcc	Vin	±0.3ppm for 5% change	
vs Change in Load		±0.3ppm for 10% change	
Aging	Fa	±1ppm / year max @25°C	
Supply Current (max)	Iop	20mA max	
Output		TTL / CMOS	
Frequency Tuning Range (Mech')		±3ppm Typical (25°C ±2.0°C)	By internal trimmer
Frequency Tuning Range (Voltage)		±5ppm ~ ±20ppm, ±10ppm Typical	VCTCXO Only
Control Voltage Range	Vcont	1.65V ±1.50V @ 3.3Vcc, 2.5V ±2.0V @ 5.0Vcc	VCTCXO Only
Slope Polarity		Positive	VCTCXO Only
Linearity		10% max	VCTCXO Only
Start-up Time	Tosc	2ms max	
SSB Phase Noise (Typical)		-135dBc/Hz max @ 1KHz offset	(Typical for 5.00Mhz Device)

STABILITY Vs OPERATING TEMPERATURE (Referenced to 25°C)

Deg C	±1.0ppm	±1.5ppm	±2.0ppm	±2.5ppm	±3.0ppm	±5.0ppm
-0 ~ +50	★	★	★	★	★	★
-10 ~ +60	★	★	★	★	★	★
-20 ~ +70	★	★	★	★	★	★
-30 ~ +75		★	★	★	★	★
-40 ~ +85					★	★

For package details / options, please see following page.

Please note that all parameters can not necessarily be specified in the same device

Customer to specify : Frequency, Supply Voltage, Frequency Stability, TCXO or VCTCXO (T or VT) & Package 1,2,3 or 4 & Output

In line with our ongoing policy of product evolution and improvement, the above specification may be subject to change without notice

ISO9001:2000 Registered

For quotations or further information please contact us at:

3 The Business Centre, Molly Millars Lane, Wokingham, Berkshire, RG41 2EY, UK

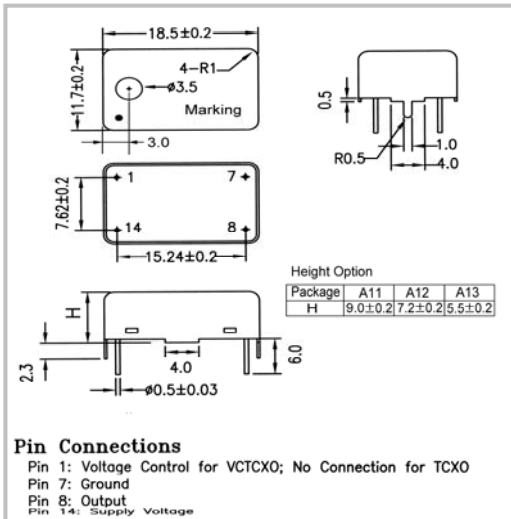
<http://www.actcrystals.com>

Issue:1 B3

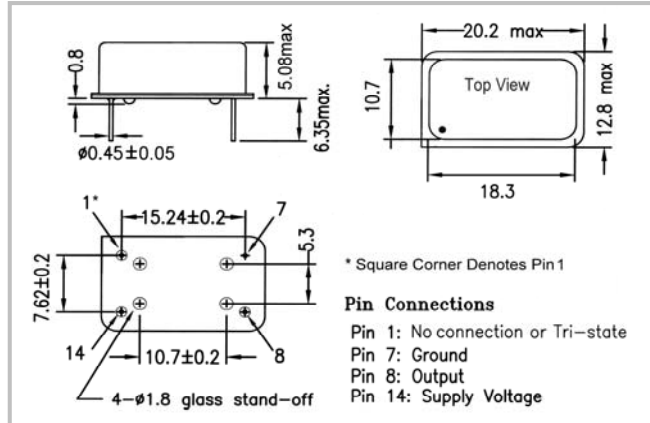
Date: 11/08/04

ACT3A04T (TCXO) ACT3A04VT (VCTCXO)

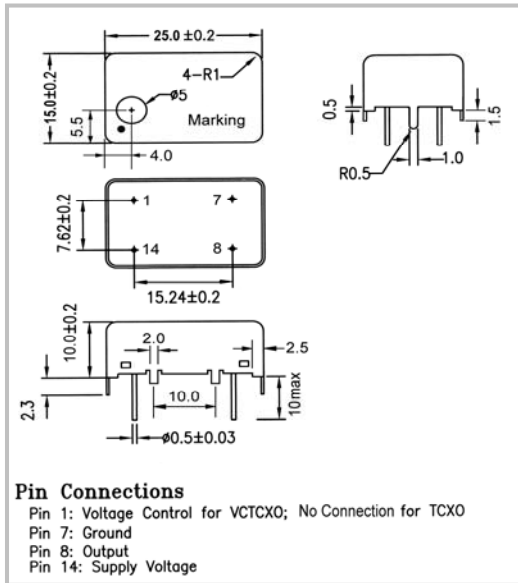
PACK ONE



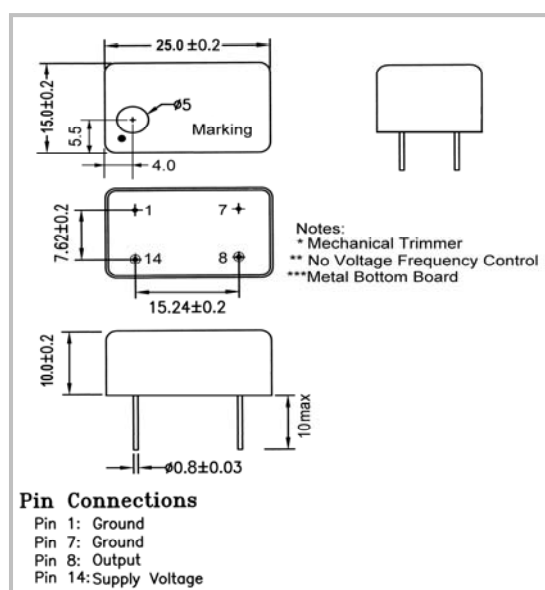
PACK TWO



PACK THREE



PACK FOUR



In line with our ongoing policy of product evolution and improvement, the above specification may be subject to change without notice

ISO9001:2000 Registered

For quotations or further information please contact us at:
 3 The Business Centre, Molly Millars Lane, Wokingham, Berkshire, RG41 2EY, UK
<http://www.actcrystals.com>

Issue:1 B3
 Date: 11/08/04