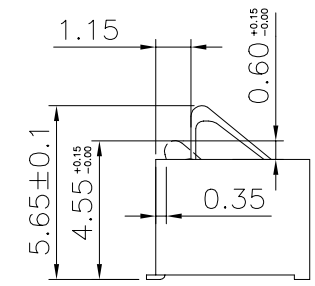
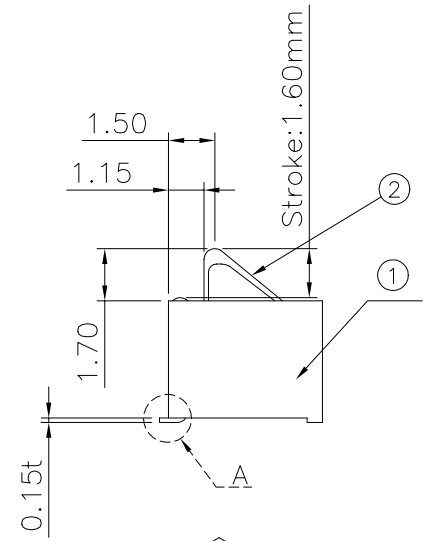
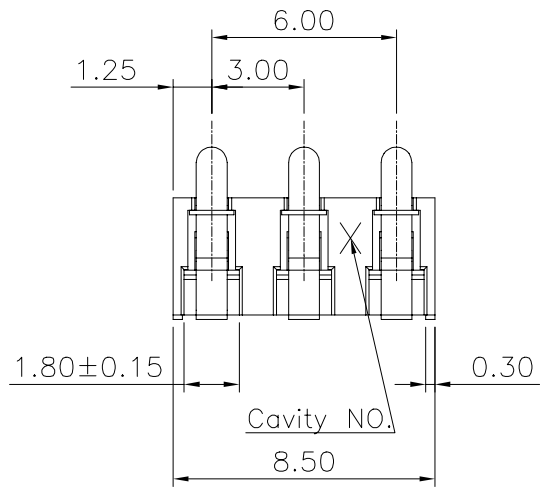
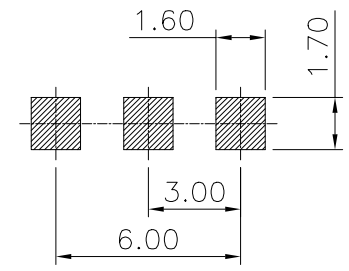
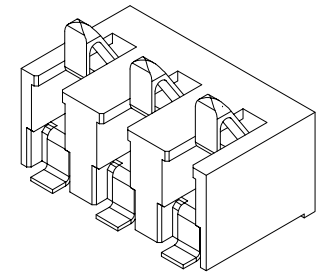
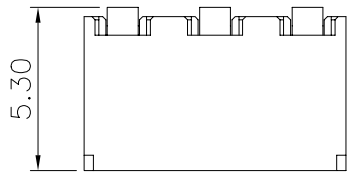


Recommended P.C.B Layout(Component Side)



Normal Force must greater than 1N(100g)/perpin in this range



4				
3				
2	TERMINAL	Pho.Bronze	—	Gold Plated
1	HOUSING	L.C.P	Black	UL 94V-0
	NO. DESCRIPTION	MATERIAL	COLOR	REMARK

**SUYIN**  
CONNECTOR

CUSTOMER COPY TITLE: 3.00mm Pitch Battery

PART NO. 300119MA003G501ZL

PART NO. (OLD)

DRAWING NO. <sup>D</sup>/<sub>ING</sub> 300119MA003G501ZL

SCALE 4:1 UNIT mm A4

						Angle	±2°	DRAW		
						30 ~	±0.50	DESIGN		
						10 ~ 30	±0.30	CHECK		
						~ 10	±0.15	APPRO.		
ECN (DCN) NO.	REV	DATE	DESCRIPTION	CHANGE	APPRO.	GENERAL TOLERANCE UNLESS OTHERWISE NOTED				

0

NEW