

INTRODUCTION:

Adam Tech MHF Series IDC Latch Headers are designed to quickly and easily mass terminate .050" flat cable. The IDC termination is converted to a Shrouded Box Header with ejector/latches and a polarizing slot that mates with standard IDC sockets. This connector is ideal for splicing and making "T" taps to a cable bus. Adam Tech's sturdy design features solid, selectively gold plated .025"sq. copper alloy posts.

FEATURES:

- Latches for secure attachment
- Latch ejection feature makes socket removal easy
- IDC Cable to Shrouded Box Header
- Mates with standard IDC sockets
- Ideal for splicing and "T" taps to cable bus
- Solid selectively gold plated contacts

MATING CONNECTORS:

Mates with Adam Tech Series .100" (2.54mm) dual row IDC sockets

SPECIFICATIONS:

Material:

Insulator: PBT, rated UL94V-0
Insulator Color: Gray
Contacts: Brass

Contact Plating:

Gold flash (30 µin optional) over nickel on contact area,
Tin over copper underplate on IDC area

Electrical:

Operating voltage: 250V AC max.
Current rating: 1 Amp max
Contact resistance: 20 mΩ max. initial
Insulation resistance: 5000 MΩ min.
Dielectric withstanding voltage: 1000V AC for 1 minute

Mechanical:

Insertion force: 0.5 lbs per circuit max.
Withdrawal force: 0.094 lbs per circuit min
Mating durability: 500 Cycles min.
Recommended cable size: 28 Awg stranded

Temperature Rating:

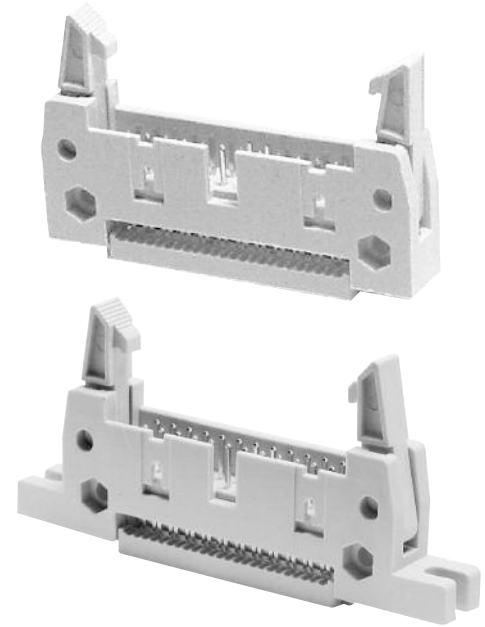
Operating temperature: -40°C to +105°C

PACKAGING:

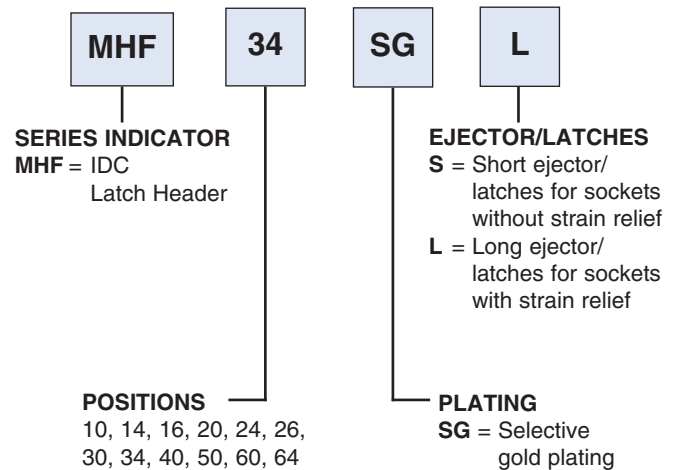
Anti-ESD plastic trays

SAFETY AGENCY APPROVALS:

UL Recognized File No. E224053
CSA Certified File No. LR1578596



ORDERING INFORMATION



OPTIONS:

Add designator(s) to end of part number
E = Mounting ears

