



L1131C

Preliminary

CMOS IC

LOW NOISE 150mA LDO REGULATOR

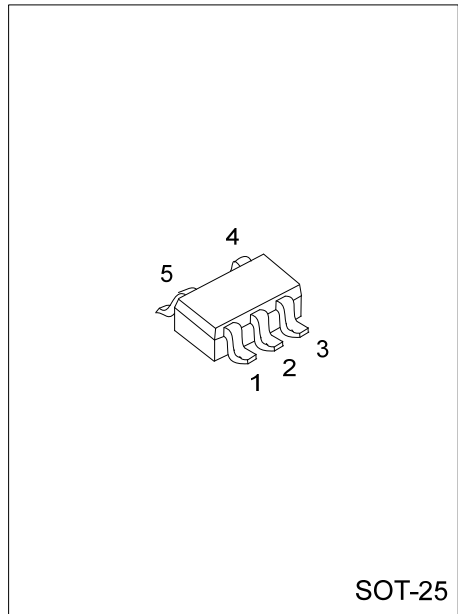
DESCRIPTION

The UTC **L1131C** is a typical LDO (linear regulator) with the features of High output voltage accuracy, low supply current, low ON-resistance, and high ripple rejection.

During normal operation of UTC **L1131C**, the dropout voltage is very low, and the response of line transient and load transient are very well.

Inside each UTC **L1131C**, there're many functions which can be seen in the block figure, for example, a voltage reference unit, an error amplifier, resistor-net for voltage setting, a current limit circuit, and a chip enable circuit.

The UTC **L1131C** can be used as an ideal of power source for hand-held communication equipment, such as cameras, VCRs, camcorders and other battery-powered equipment.



SOT-25

FEATURES

- * Ultra Supply Current: 75 μ A(typ.)
- * Standby Mode: 0.1 μ A(typ.)
- * Very Low Dropout Voltage: 0.28V(typ.) @I_{OUT}=150mA, V_{OUT}=2.5V
- * Ripple Rejection: 70dB(typ.)@f=1kHz
60dB(typ.)@f=10kHz
- * Temperature-Drift Coefficient of Output Voltage: \pm 100ppm/ $^{\circ}$ C(typ.)
- * Well Line Regulation: 0.02%/V(typ.)
- * Output Voltage Accuracy: \pm 2.0%(typ.)
- * Internal Fold Back Protection Circuit
- * C_{IN}=C_{OUT}=1 μ F or more (Ceramic capacitors) are recommended to be used with this IC
- * Halogen Free

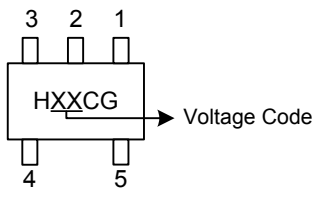
ORDERING INFORMATION

Ordering Number	Package	Pin Assignment					Packing
		1	2	3	4	5	
L1131CG-xx-AF5-R	SOT-25	I	G	C	N	O	Tape Reel

Note: Pin Assignment: I:V_{IN} O:V_{OUT} G:GND C:CE N:NC

<p>L1131CG-xx-AF5-R</p> <p>(1) Packing Type</p> <p>(2) Package Type</p> <p>(3) Output Voltage Code</p> <p>(4) Halogen Free</p>	<p>(1) R: Tape Reel</p> <p>(2) AF5: SOT-25</p> <p>(3) xx: Refer to Marking Information</p> <p>(4) G: Halogen Free</p>
--	---

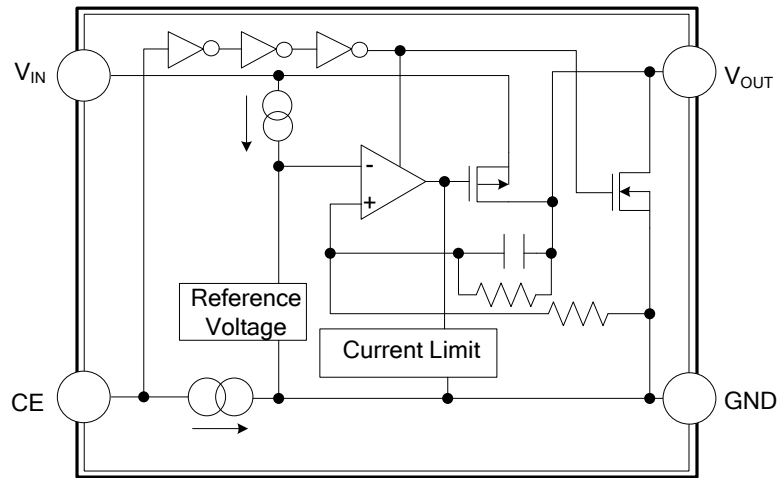
■ MARKING

PACKAGE	VOLTAGE CODE	MARKING
SOT-25	20:2.0V 25:2.5V	

■ PIN DESCRIPTION

PIN NO	PIN NAME	DESCRIPTION
1	V _{IN}	Input pin
2	GND	Ground pin
3	CE	Input pin for chip enable, "high" means enable the chip.
4	NC	No connection
5	V _{OUT}	Output pin

■ BLOCK DIAGRAM



■ ABSOLUTE MAXIMUM RATING

PARAMETER	SYMBOL	RATINGS	UNIT
Input Voltage	V_{IN}	6.5	V
Input Voltage (CE Pin)	V_{CE}	6.5	V
Output Voltage	V_{OUT}	-0.3~ V_{IN} +0.3	V
Output Current	I_{OUT}	200	mA
Power Dissipation	P_D	420	mW
Junction Temperature	T_J	+125	°C
Operating Temperature	T_{OPR}	-40 ~ +85	°C
Storage Temperature	T_{STG}	-55 ~ +125	°C

Note: Absolute maximum ratings are those values beyond which the device could be permanently damaged.
Absolute maximum ratings are stress ratings only and functional device operation is not implied.

■ ELECTRICAL CHARACTERISTICS

L1131C-2.0V

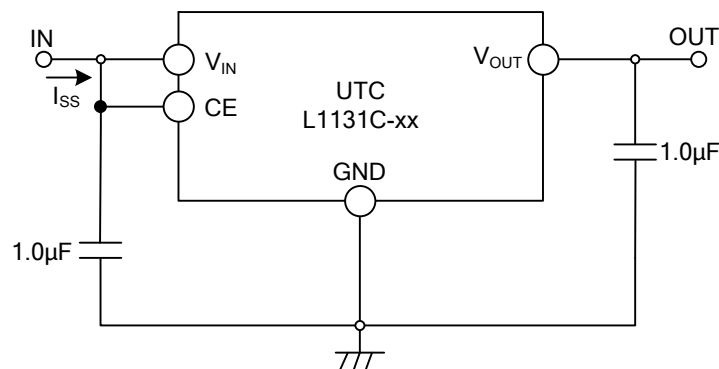
PARAMETER	SYMBOL	TEST CONDITIONS	MIN	TYP	MAX	UNIT
Output Voltage	V_{OUT}	$V_{IN} = \text{Set } V_{OUT}+1V$ $1mA \leq I_{OUT} \leq 30mA$	1.96		2.04	V
Input Voltage	V_{IN}				6.0	V
Load Regulation	$\frac{\Delta V_{OUT}}{\Delta I_{OUT}}$	$V_{IN} = \text{Set } V_{OUT}+1V$ $1mA \leq I_{OUT} \leq 150mA$		22	40	mV
Output Current	I_{OUT}	$V_{IN}-V_{OUT} = 1.0V$	150			mA
Supply Current	I_{SS}	$V_{IN} = \text{Set } V_{OUT}+1V, I_{OUT} = 0mA$		75	95	μA
Supply Current (Standby)	I_{ST-BY}	$V_{IN} = \text{Set } V_{OUT}+1V, V_{CE} = GND$		0.1	1.0	μA
Short Current Limit	I_{LIMIT}	$V_{OUT} = 0V$		40		mA
CE Input Voltage	High	V_{CEH}	1.5		V_{IN}	V
	Low	V_{CEL}	0.0		0.3	V
Output Noise	eN	BW = 10Hz ~ 100kHz		30		μV_{rms}
CE Pull-down Resistance	R_{PD}		0.7	2.0	8.0	$M\Omega$
Ripple Rejection	RR	Ripple 0.5Vp-p $V_{IN}-V_{OUT} = 1.0V, I_{OUT} = 30mA$	f=1kHz	70		dB
			f=10kHz	60		dB
Dropout Voltage	V_D	$I_{OUT}=150mA$		0.32	0.55	V
Line Regulation	$\frac{\Delta V_{OUT}}{\Delta V_{IN}}$	Set $V_{OUT}+0.5V \leq V_{IN} \leq 6.0V, I_{OUT}=30mA$		0.02	0.10	%/V
Output Voltage Temperature Coefficient	$\frac{\Delta V_{OUT}}{\Delta T}$	$I_{OUT} = 30mA$ $-40^\circ C \leq T_{OPR} \leq 85^\circ C$		± 100		ppm/°C
On Resistance of Nch for Auto Discharge	R_{LOW}	$V_{CE} = 0V$		60		Ω

■ ELECTRICAL CHARACTERISTICS(Cont.)

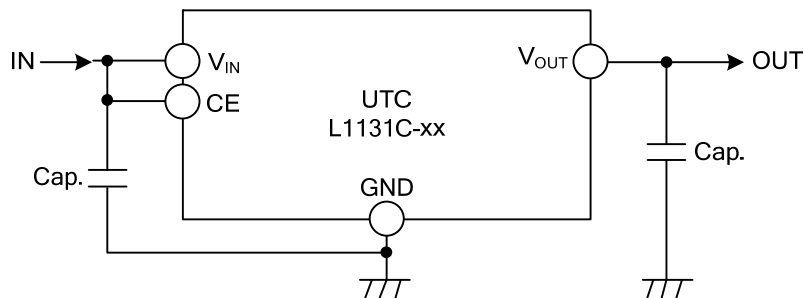
L1131C-2.5V

PARAMETER	SYMBOL	TEST CONDITIONS	MIN	TYP	MAX	UNIT
Output Voltage	V_{OUT}	$V_{IN} = \text{Set } V_{OUT}+1V$ $1mA \leq I_{OUT} \leq 30mA$	2.45		2.55	V
Input Voltage	V_{IN}				6.0	V
Load Regulation	$\frac{\Delta V_{OUT}}{\Delta I_{OUT}}$	$V_{IN} = \text{Set } V_{OUT}+1V$ $1mA \leq I_{OUT} \leq 150mA$		22	40	mV
Output Current	I_{OUT}	$V_{IN}-V_{OUT} = 1.0V$	150			mA
Supply Current	I_{SS}	$V_{IN} = \text{Set } V_{OUT}+1V, I_{OUT} = 0mA$		75	95	μA
Supply Current (Standby)	I_{ST-BY}	$V_{IN} = \text{Set } V_{OUT}+1V, V_{CE} = GND$		0.1	1.0	μA
Short Current Limit	I_{LIMIT}	$V_{OUT} = 0V$		40		mA
CE Input Voltage	High	V_{CEH}	1.5		V_{IN}	V
	Low	V_{CEL}	0.0		0.3	V
Output Noise	eN	BW = 10Hz ~ 100kHz		30		μV_{rms}
CE Pull-down Resistance	R_{PD}		0.7	2.0	8.0	M Ω
Ripple Rejection	RR	Ripple 0.5Vp-p $V_{IN}-V_{OUT} = 1.0V, I_{OUT} = 30mA$	f=1kHz	70		dB
			f=10kHz	60		dB
Dropout Voltage	V_D	$I_{OUT}=150mA$		0.28	0.50	V
Line Regulation	$\frac{\Delta V_{OUT}}{\Delta V_{IN}}$	Set $V_{OUT}+0.5V \leq V_{IN} \leq 6.0V$ $I_{OUT} = 30mA$		0.02	0.10	%/V
Output Voltage Temperature Coefficient	$\frac{\Delta V_{OUT}}{\Delta T}$	$I_{OUT} = 30mA$ $-40^{\circ}C \leq T_{OPR} \leq 85^{\circ}C$		± 100		ppm/ $^{\circ}C$
On Resistance of Nch for Auto Discharge	R_{LOW}	$V_{CE} = 0V$		60		Ω

■ TEST CIRCUIT



■ TYPICAL APPLICATION CIRCUIT



UTC assumes no responsibility for equipment failures that result from using products at values that exceed, even momentarily, rated values (such as maximum ratings, operating condition ranges, or other parameters) listed in products specifications of any and all UTC products described or contained herein. UTC products are not designed for use in life support appliances, devices or systems where malfunction of these products can be reasonably expected to result in personal injury. Reproduction in whole or in part is prohibited without the prior written consent of the copyright owner. The information presented in this document does not form part of any quotation or contract, is believed to be accurate and reliable and may be changed without notice.