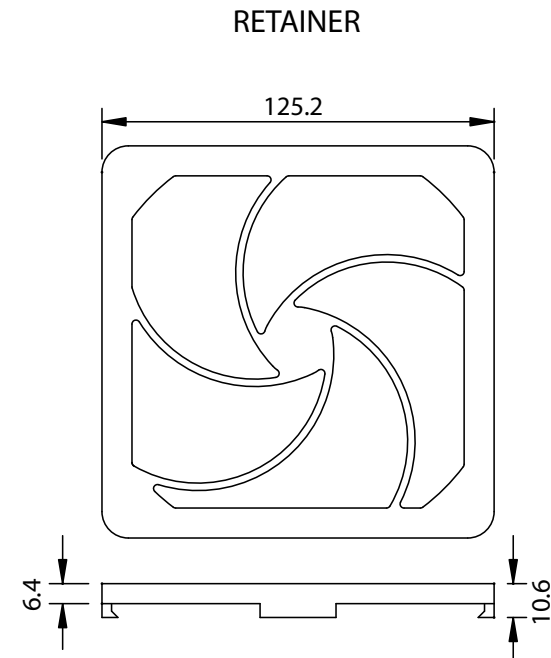
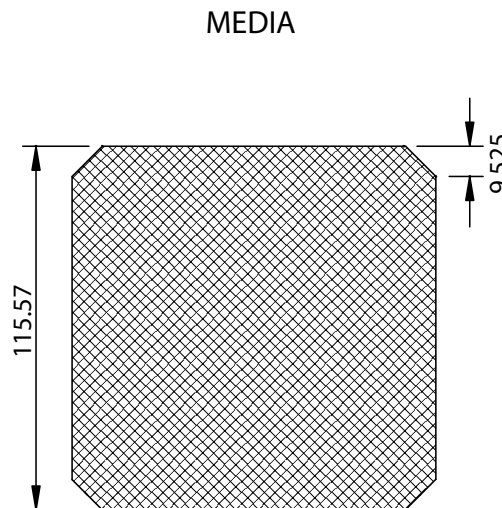
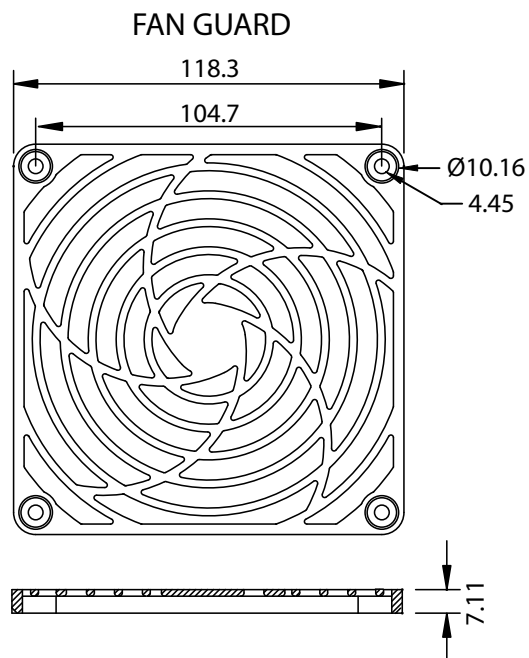


THESE DRAWINGS ARE THE PROPERTY OF QUALTEK ELECTRONICS AND NOT TO BE REPRODUCED FOR OR COMMUNICATED TO A THIRD PARTY WITHOUT THE EXPRESS WRITTEN PERMISSION OF AN OFFICER OF QUALTEK ELECTRONICS.

| REVISION | | | |
|----------|------------------------|----------|----------|
| REV. | DESCRIPTION | DATE | APPROVED |
| B | RoHS Compliancy | 06-01-06 | DP |
| C | Updated Specifications | 12-13-07 | DP |



NOTES:

- MEDIA* AVAILABLE IN:
 XX=30 PPI **
 45 PPI **
 60 PPI **
 100 PPI **
 * UL 900 CLASS II
 ** Pores Per Inch
 RoHS COMPLIANT
- GUARD AND RETAINER:
 MATERIAL: UL94-V0
 RoHS COMPLIANT

CONTROLLED

| Dim range (mm) | Tolerance +/- (mm) | Qualtek Electronics Corp. FAN-S DIVISION | | |
|----------------|--------------------|--|--|--|
| | | Part Number: 09450-F/XX RoHS Compliant | | Description: PLASTIC FAN FILTER ASSEMBLY |
| 0-5 | 0.1 | UNIT: mm | | REV: C |
| 5-16 | 0.15 | Drawn / Date | | Checked / Date |
| 16-64 | 0.2 | B.ZHANG 10-10-03 | | Approved / Date |
| 64-250 | 0.4 | 10-10-03 | | JJH / 10-10-03 |
| 250-1000 | 0.5 | | | |
| 1000-1500 | 1.0 | | | |