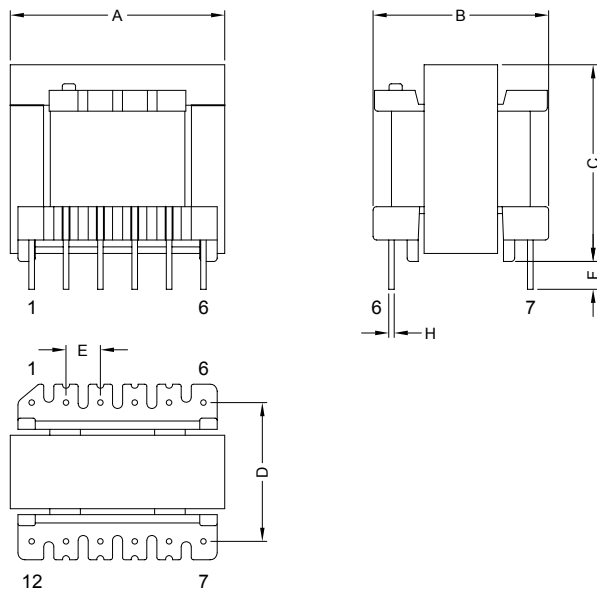


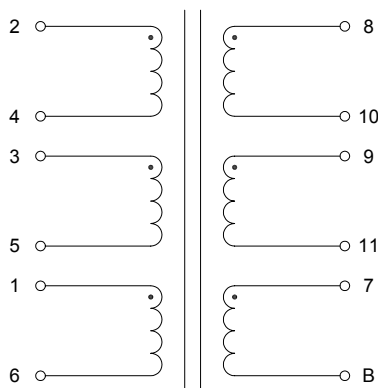
1. CONFIGURATION & DIMENSIONS :



Unit:m/m

A	B	C	D	E	F	H
31.50 Max.	26.50 Max.	29.50 Max.	20.00±0.30	5.00±0.30	4.00±0.50	Ø0.80 Ref.

2. SCHEMATIC :



3. SCHEMATIC :

- a) Bobbin : Phenolic
- b) Core : EI30
- c) Wire : Polyurethane DD (1UEW)
- d) Tape : Polyester Film
- e) Varnish : Synthite AC-43



RoHS Compliant

NOTE : Specifications subject to change without notice. Please check our website for latest information.

18.06.2008



SUPERWORLD ELECTRONICS (S) PTE LTD

4. GENERAL SPECIFICATION :

- a) Operating Temperature Range : -25°C to +105°C
- b) Insulation Class : B (130°C)

5. ELECTRICAL CHARACTERISTICS :

Part No.	Inductance (L)	Conditions	Test Frequency	DCR @ 25°C
SEID0VTF-50727	L : (1-6) = 24uH ~ 30uH	-	10KHz 0.1V	(2-4) = 24.0mΩ Max.
				(3-5) = 24.0mΩ Max.
				(8-10) = 27.0mΩ Max.
				(9-11) = 27.0mΩ Max.



RoHS Compliant

NOTE : Specifications subject to change without notice. Please check our website for latest information.

18.06.2008



SUPERWORLD ELECTRONICS (S) PTE LTD