



Micro Commercial Components

Micro Commercial Components
 20736 Marilla Street Chatsworth
 CA 91311
 Phone: (818) 701-4933
 Fax: (818) 701-4939

MC7905CT THRU MC7912CT

Features

- Output current in excess of 1.0 Ampere
- Lead Free Finish/RoHS Compliant(Note 1) ("P" Suffix designates RoHS Compliant. See ordering information)
- Internal short-circuit current limiting And Internal thermal shut down protection
- Safe operating area protection
- Case Material: Molded Plastic. UL Flammability Classification Rating 94V-0 And MSL Rating 1

Maximum Ratings @ T_A=25°C, Unless Otherwise Noted

Parameter	Symbol	Value	Unit
Input Voltage	V _I	-35	V
Operating Temperature Range	T _{OPR}	0---125	°C
Storage Temperature Range	T _{STG}	-55---150	°C

MC7905CT

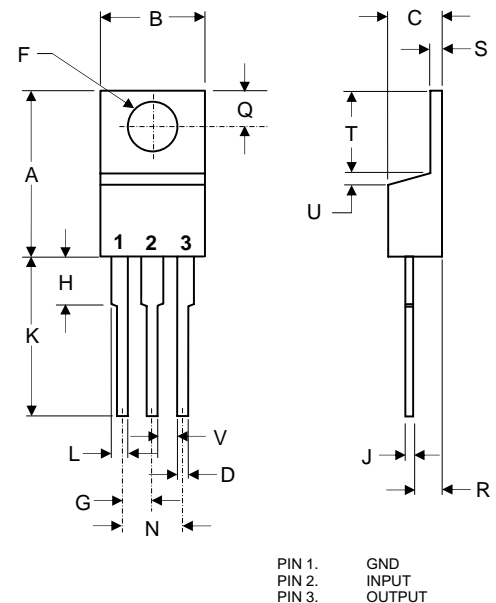
Electrical Characteristics (V_I=10V, I_O=500mA, 0°C<T_J<125°C, C_i=2.0uF, C_o=1.0uF, Unless Otherwise Specified)

Parameter	Sym	Min	Typ	Max	Test conditions
Output Voltage	V _O	-4.8V	-5.0V	-5.2V	T _J =25°C
		-4.75V		-5.25V	-7V ≤ V _I ≤ -20V, 5mA ≤ I _O ≤ 1.0A, P _D ≤ 15W
Load Regulation	ΔV _O		15mV	100mV	5mA ≤ I _O ≤ 1.5A, T _J =25°C,
			5.0mV	50mV	250mA ≤ I _O ≤ 750mA, T _J =25°C
Line regulation	ΔV _O		12.5mv 4.0mV	50mV 15mV	-7V ≤ V _I ≤ -25V, T _J =25°C -8V ≤ V _I ≤ -12V, T _J =25°C
Quiescent Current	I _q		1.5mA	2.0mA	T _J =25°C, I _O =0
Quiescent Current Change	ΔI _q			0.5mA 0.5mA	-7V ≤ V _I ≤ -25V 5mA ≤ I _O ≤ 1.0A
Output Noise Voltage	V _N		120μV		f=120Hz
Ripple Rejection	RR	54dB	60dB		-8V ≤ V _I ≤ -18V f=120Hz, T _J =25°C
Dropout Voltage	V _d		1.1V		I _O =1.0A, T _J =25°C
Peak Output Current	I _{opeak}		2.1A		T _J =25°C
Temperature Coefficient of Output voltage	ΔV _O /ΔT _J		-0.4mV/°C		0°C ≤ T _J ≤ 125°C, I _O =5mA

Notes:1.High Temperature Solder Exemption Applied, see EU Directive Annex 7.

Three-Terminal Negative Voltage Regulators

TO-220



DIM	DIMENSIONS				NOTE
	INCHES		MM		
A	.560	.625	14.22	15.88	
B	.380	.420	9.65	10.67	
C	.140	.190	3.56	4.82	
D	.020	.045	0.51	1.14	
F	.139	.161	3.53	4.09	∅
G	.190	.110	2.29	2.79	
H	---	.250	---	6.35	
J	.012	.025	0.30	0.64	
K	.500	.580	12.70	14.73	
L	.045	.060	1.14	1.52	
N	.190	.210	4.83	5.33	
Q	.100	.135	2.54	3.43	
R	.080	.115	2.04	2.92	
S	.045	.055	1.14	1.39	
T	.230	.270	5.84	6.86	
U	----	.050	----	1.27	
V	.045	----	1.15	----	

MC7906CT

Electrical Characteristics ($V_i=11V$, $I_o=500mA$, $0^\circ C < T_j < 125^\circ C$, $C_i=2.0\mu F$, $C_o=1.0\mu F$, Unless Otherwise Specified)

Parameter	Sym	Min	Typ	Max	Test conditions
Output Voltage	V_o	-5.75V	-6.0V	-6.25V	$T_j=25^\circ C$
		-5.70V		-6.30V	$-8V \leq V_1 \leq -21V$, $5mA \leq I_o \leq 1.0A$, $P_D \leq 15W$
Load Regulation	ΔV_o		15mV	160mV	$5mA \leq I_o \leq 1.5A$, $T_j=25^\circ C$,
			5.0mV	80mV	$250mA \leq I_o \leq 750mA$, $T_j=25^\circ C$
Line regulation	ΔV_o		12.5mV 4.0mV	160mV 80mV	$-8.0V \leq V_1 \leq -25V$, $T_j=25^\circ C$ $-9V \leq V_1 \leq -13V$, $T_j=25^\circ C$
Quiescent Current	I_q		1.5mA	2.0mA	$T_j=25^\circ C$, $I_o=0$
Quiescent Current Change	ΔI_q			1.0mA 0.5mA	$-10.5V \leq V_1 \leq -25V$ $5mA \leq I_o \leq 1.0A$
Output Noise Voltage	V_N		200 μV		$10Hz \leq f \leq 100KHz$ $T_j=25^\circ C$
Ripple Rejection	RR	54dB	60dB		$f=120Hz$ $-9V \leq V_1 \leq -13V$, $T_j=25^\circ C$
Dropout Voltage	V_d		1.1V		$I_o=1.0A$, $T_j=25^\circ C$
Peak Output Current	I_{opeak}		2.1A		$T_j=25^\circ C$
Temperature Coefficient of Output voltage	$\Delta V_o/\Delta T_j$		-0.5mV/ $^\circ C$		$0^\circ C \leq T_j \leq 125^\circ C$, $I_o=5mA$

MC7908CT

Electrical Characteristics ($V_i=14V$, $I_o=500mA$, $0^\circ C < T_j < 125^\circ C$, $C_i=2.0\mu F$, $C_o=1.0\mu F$, Unless Otherwise Specified)

Parameter	Sym	Min	Typ	Max	Test conditions
Output Voltage	V_o	-7.70V	-8.0V	-8.30V	$T_j=25^\circ C$
		-7.60V		-8.40V	$-10.5V \leq V_1 \leq -23V$, $5mA \leq I_o \leq 1.0A$, $P_D=15W$
Load Regulation	ΔV_o		12mV	160mV	$5mA \leq I_o \leq 1.5A$, $T_j=25^\circ C$,
			4.0mV	80mV	$250mA \leq I_o \leq 750mA$, $T_j=25^\circ C$
Line regulation	ΔV_o		6.0mV 2.0mV	160mV 80mV	$-10.5V \leq V_1 \leq -25V$, $T_j=25^\circ C$ $-11V \leq V_1 \leq -17V$, $T_j=25^\circ C$
Quiescent Current	I_q		2.2mA	4.5mA	$T_j=25^\circ C$, $I_o=0$
Quiescent Current Change	ΔI_q			1.0mA 0.5mA	$-10.5V \leq V_1 \leq -25V$ $5mA \leq I_o \leq 1.0A$
Output Noise Voltage	V_N		52 μV		$10Hz \leq f \leq 100KHz$ $T_j=25^\circ C$
Ripple Rejection	RR	56dB	71dB		$f=120Hz$ $-10.5V \leq V_1 \leq -25V$ $T_j=25^\circ C$
Dropout Voltage	V_d		2.0V		$I_o=1.0A$, $T_j=25^\circ C$
Peak Output Current	I_{opeak}		2.1A		$T_j=25^\circ C$
Temperature Coefficient of Output voltage	$\Delta V_o/\Delta T_j$		-0.6mV/ $^\circ C$		$0^\circ C \leq T_j \leq 125^\circ C$, $I_o=5mA$

MC7909CT

Electrical Characteristics ($V_i=15V$, $I_o=500mA$, $0^\circ C < T_j < 125^\circ C$, $C_i=2.0\mu F$, $C_o=1.0\mu F$, Unless Otherwise Specified)

Parameter	Sym	Min	Typ	Max	Test conditions
Output Voltage	V_o	-8.70V	-9.0V	-9.30V	$T_j=25^\circ C$
		-8.60V		-9.40V	$-11.5V \leq V_1 \leq -24V$, $5mA \leq I_o \leq 1.0A$, $P_D \leq 15W$
Load Regulation	ΔV_o		12mV	180mV	$5mA \leq I_o \leq 1.5A$, $T_j=25^\circ C$,
			4.0mV	90mV	$250mA \leq I_o \leq 750mA$, $T_j=25^\circ C$
Line regulation	ΔV_o		10mV 5.0mV	180mV 90mV	$-11.5V \leq V_1 \leq -26V$, $T_j=25^\circ C$ $-12V \leq V_1 \leq -18V$, $T_j=25^\circ C$
Quiescent Current	I_q		3.0mA	6.0mA	$T_j=25^\circ C$, $I_o=0$
Quiescent Current Change	ΔI_q			1.0mA 0.5mA	$-11.5V \leq V_1 \leq -26V$ $5mA \leq I_o \leq 1.0A$
Output Noise Voltage	V_N		175 μ V		$10Hz \leq f \leq 100KHz$ $T_j=25^\circ C$
Ripple Rejection	RR	54dB	60dB		$f=120Hz$, $-11.5V \leq V_1 \leq -26V$, $T_j=25^\circ C$
Dropout Voltage	V_d		1.1V		$I_o=1.0A$, $T_j=25^\circ C$
Peak Output Current	I_{opeak}		2.1A		$T_j=25^\circ C$
Temperature Coefficient of Output voltage	$\Delta V_o/\Delta T_j$		-0.6mV/ $^\circ C$		$0^\circ C \leq T_j \leq 125^\circ C$, $I_o=5mA$

MC7912CT

Electrical Characteristics ($V_i=19V$, $I_o=500mA$, $0^\circ C < T_j < 125^\circ C$, $C_i=2.0\mu F$, $C_o=1.0\mu F$, Unless Otherwise Specified)

Parameter	Sym	Min	Typ	Max	Test conditions
Output Voltage	V_o	-11.50V	-12V	-12.50V	$T_j=25^\circ C$
		-11.40V		-12.60V	$-14.5V \leq V_1 \leq -27V$, $5mA \leq I_o \leq 1.0A$, $P_D \leq 15W$
Load Regulation	ΔV_o		15mV	200mV	$5.0mA \leq I_o \leq 1.5A$, $T_j=25^\circ C$,
			5.0mV	75mV	$250mA \leq I_o \leq 750mA$, $T_j=25^\circ C$
Line regulation	ΔV_o		5.0mV 3.0mV	80mV 30mV	$-14.5V \leq V_1 \leq -30V$, $T_j=25^\circ C$ $-16V \leq V_1 \leq -22V$, $T_j=25^\circ C$
Quiescent Current	I_q		2.0mA	3.0mA	$T_j=25^\circ C$, $I_o=0$
Quiescent Current Change	ΔI_q			0.5mA 0.5mA	$-14.5V \leq V_1 \leq -30V$ $5mA \leq I_o \leq 1.0A$
Output Noise Voltage	V_N		300 μV		$10Hz \leq f \leq 100KHz$ $T_j=25^\circ C$
Ripple Rejection	RR	54dB	60dB		$f=120Hz$, $-14.5V \leq V_1 \leq -30V$, $T_j=25^\circ C$
Dropout Voltage	V_d		1.1V		$I_o=1.0A$, $T_j=25^\circ C$
Peak Output Current	I_{opeak}		2.1A		$T_j=25^\circ C$
Temperature Coefficient of Output voltage	$\Delta V_o/\Delta T_j$		-0.8mV/ $^\circ C$		$0^\circ C \leq T_j \leq 125^\circ C$, $I_o=5mA$

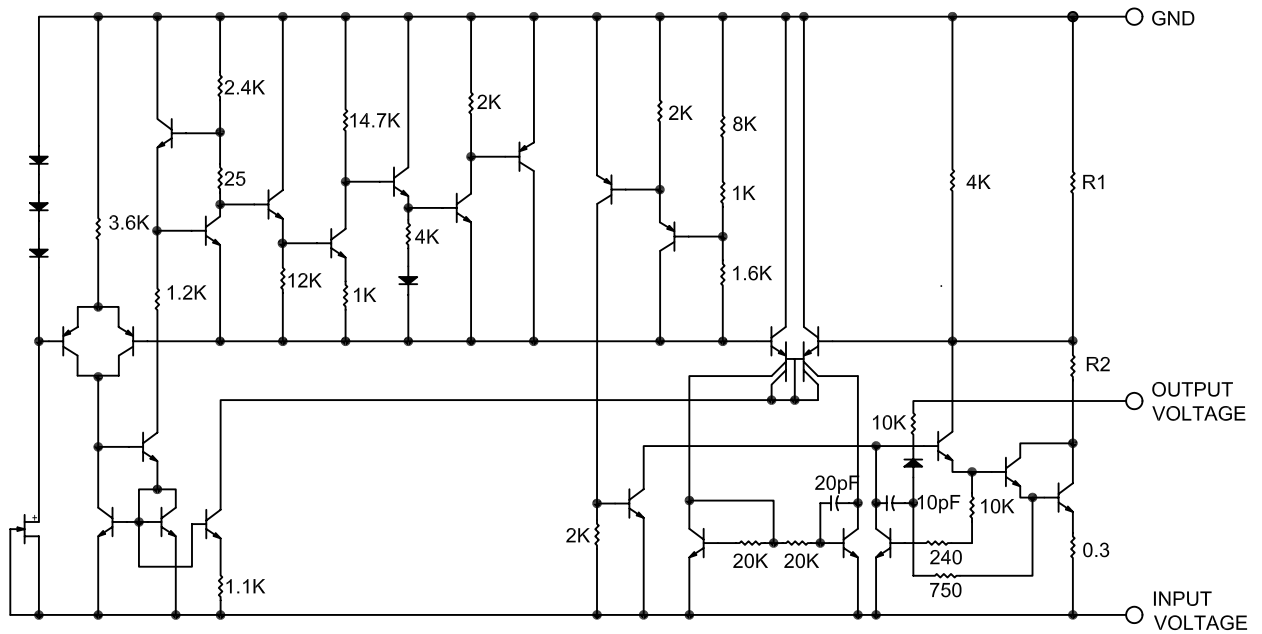
Marking:

<p>MCC 79XXCT</p>

XX:05~12

MC7905CT thru MC7912CT

Representation Schematic Diagram





Micro Commercial Components

Ordering Information

Device	Packing
(Part Number)-BP	Bulk;1Kpcs/Box

*****IMPORTANT NOTICE*****

Micro Commercial Components Corp. reserves the right to make changes without further notice to any product herein to make corrections, modifications, enhancements, improvements, or other changes. *Micro Commercial Components Corp.* does not assume any liability arising out of the application or use of any product described herein; neither does it convey any license under its patent rights, nor the rights of others. The user of products in such applications shall assume all risks of such use and will agree to hold *Micro Commercial Components Corp.* and all the companies whose products are represented on our website, harmless against all damages.

*****APPLICATIONS DISCLAIMER*****

Products offer by *Micro Commercial Components Corp.* are not intended for use in Medical, Aerospace or Military Applications.