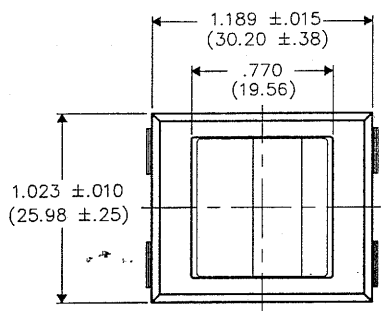


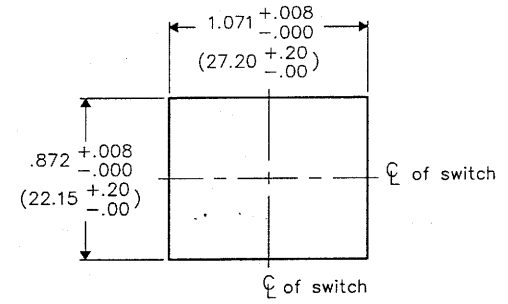
DIMENSIONS IN INCHES (MILLIMETERS)
DO NOT SCALE DRAWING

Dwg. No.
GR-2022-1600

E
D
C
B
A



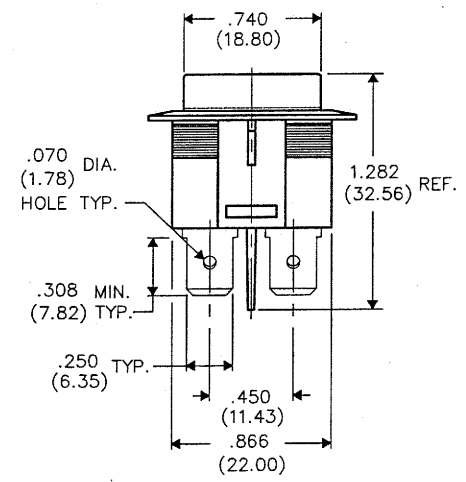
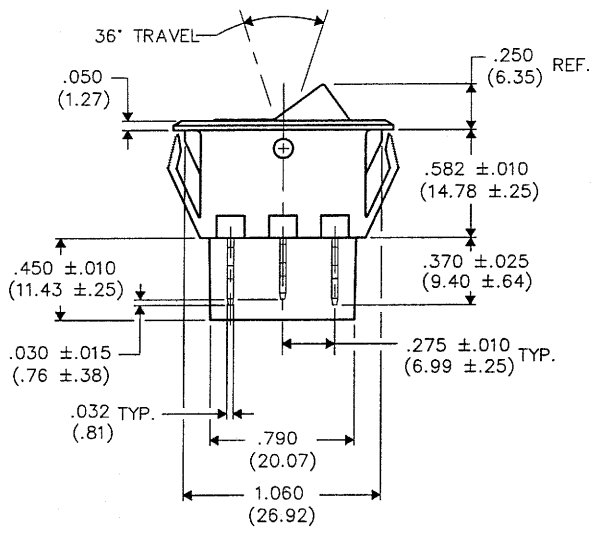
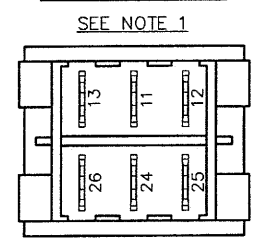
PANEL PIERCING



NOTES:

- 1.) With rocker in position shown, Circuits are completed between terminals 11 and 12 on pole 1, and terminal 24 and 25 on pole 2.

BOTTOM VIEW



1 2 3 4 5 6 7 8 9 10

FORM-B4	REVISIONS	0									
		1									

CW INDUSTRIES
Southampton, Pa. 18966

TOLERANCES UNLESS OTHERWISE SPECIFIED

2 Place Decimal ±.010	METRIC
3 Place Decimal ±.005	1 Place Dec. ±.25mm
Angles ±1°	2 Place Dec. ±.13mm

Made for: CW IND.
 Drawn by: DGW 10-26-2006
 Checked by: *GGuld 10-26-06*
 Approval: *B. P. Ryan 10-30-06*

Title: **POP-IN
ROCKER SWITCH
D.P.- D.T.**

Division: **SWITCH**

Dwg. No. **GR-2022-1600**