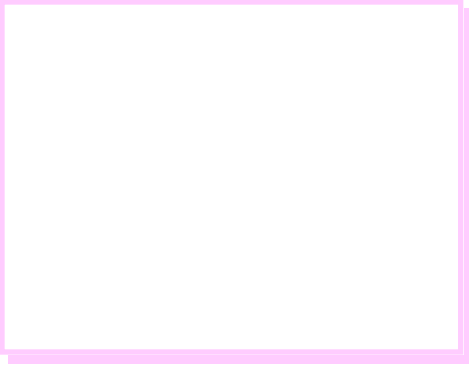


EPA3727

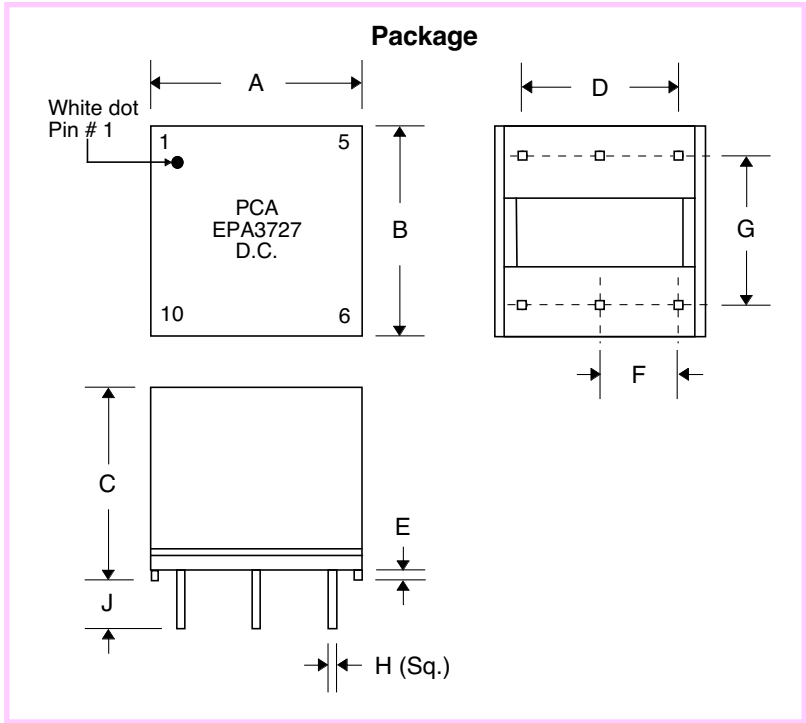
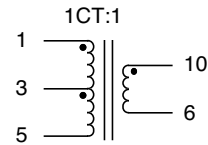


- 1250 Vrms Isolation •
- DCR Match: $\pm 2.5\%$ •
- 100 mA max rated DC current on both coils •

Electrical Parameters @ 25° C

Inductance (mH $\pm 5\%$) (@ 0 DC)	Inductance (mH Min.) (@100mA DC bias each coil)	Leakage Inductance (μ H Max.)	Interwinding Capacitance (pF Max.)	DCR (Ω Max)
@ 1 KHz 0.1 Vrms	@ 1 KHz 0.1 Vrms	@ 1 KHz 0.1 Vrms	@ 1 KHz 0.1 Vrms	
2.4	2.2	210	250	5.0
Pins 1-5	Pins 1-5	Pins 1-5 with 6-10 Shorted	Pins 1-5 to 6-10	Each Winding

Schematic



Dimensions

Dim.	(Inches)			(Millimeters)		
	Min.	Max.	Nom.	Min.	Max.	Nom.
A	---	.560	---	---	14.22	---
B	---	.560	---	---	14.22	---
C	.484	.516	.500	12.3	13.1	12.7
D	---	---	.400	---	---	10.16
E	---	---	.039	---	---	1.0
F	---	---	.200	---	---	5.08
G	---	---	.400	---	---	10.16
H	---	---	.018	---	---	0.45
J	---	---	.150	---	---	3.8