



| | |
|-----------|------------|
| Spec. No. | PS-ND-0807 |
| Rev. | A |

PRODUCT SPECIFICATION

Model No : CSS-516G/517G

Descriptions:

- 0.52 Inch Single Digit Display
- Emitting Color : Yellow Green



| CUSTOMER APPROVED | APPROVED BY | CHECKED BY | PREPARED BY |
|-------------------|-------------|------------|-------------|
| SIGNATURES | | | 陳新強 |

CHINA SEMICONDUCTOR CORPORATION
Address:2FL. NO.909,Chung-Cheng Road,
Chung-Ho City Taipei Hsien,Taiwan.

Tel:886-2-2223-9696
Fax:886-2-2223-9377

OPTO PLUS TECHNOLOGIES CO.,LTD
Address:696 Shun jiang Rd.,Ji Shan St.Shaoxing,
ZheJiang,China

Tel:86-0575-88623888
Fax:86-0575-88623112



| | |
|------------------|------------|
| Spec. No. | PS-ND-0807 |
| Rev. | A |

Model No : CSS-516G/517G

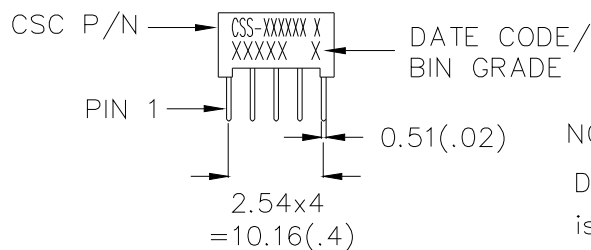
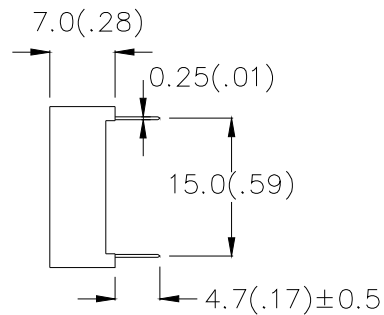
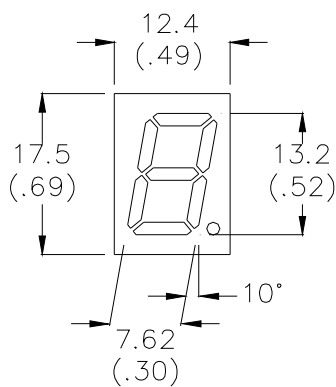
Features -

1. 0.52 inch (13.2mm) digit height.
2. Case mold type.
3. RoHS compliant.
4. Low power consumption.
5. Easy mounting on P.C. board or socket.

Device Selection Guide -

| Model No. | Chip | | Description |
|-----------------|------------|---------------------|-----------------------|
| | Material | Emitted Color | |
| CSS-516G | GaP | Yellow Green | Common Anode |
| CSS-517G | GaP | Yellow Green | Common Cathode |

Mechanical Dimensions -



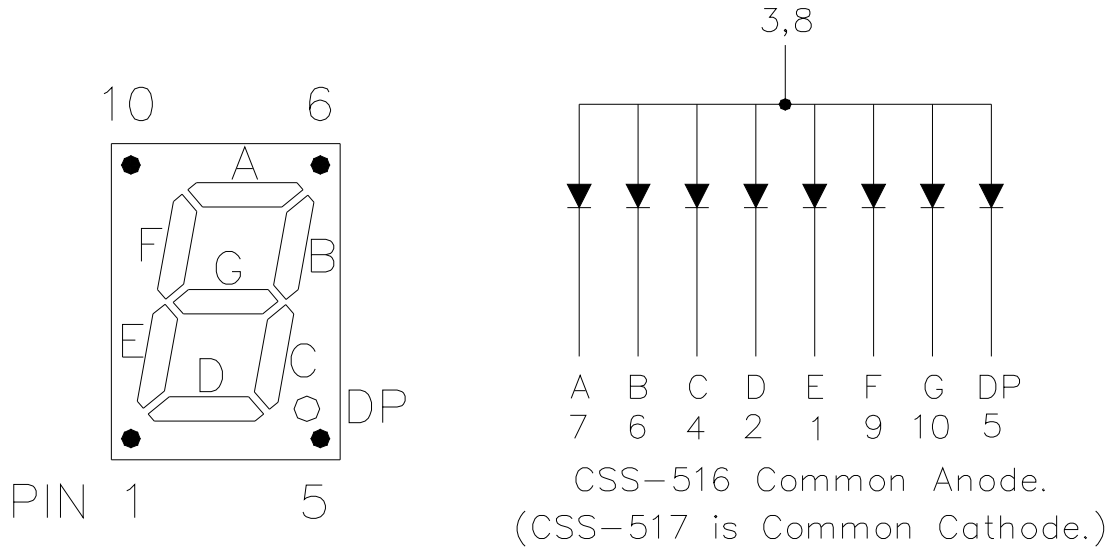
NOTE:

Dimension in millimeter (inch), and tolerance is ± 0.25 (.01) unless otherwise noted.



Model No : CSS-516G/517G

Internal Circuit Diagrams -



Absolute Maximum Rating -

(Ta=25°C)

| Parameter | Symbol | Rating | Unit |
|--|--------|-----------|-------|
| Power Dissipation Per Dice | Pd | 70 | mW |
| Continuous Forward Current Per Dice | IAF | 25 | mA |
| Peak Current Per Dice | IPF | 90 | mA |
| Continuous Forward Current Per Dice | - | 0.33 | mA/°C |
| Reverse Voltage Per Dice | VR | 5 | V |
| Operating Temperature | Topr | -35 ~ +85 | °C |
| Storage Temperature | Tstg | -35 ~ +85 | °C |
| Solder temperature 1/16 inch below seating plane for 3 seconds at 260 °C | | | |



Model No : CSS-516G/517G

■ Electro-optical Characteristics -

(Ta=25°C)

| Parameter | Symbol | Min. | Typ. | Max. | Unit | Condition |
|-----------------------------------|------------------|------|------|------|---------|-----------|
| Forward Voltage Per Segment | VF | - | 2.1 | 2.8 | V | IF=20mA |
| Luminous Intensity Per Segment | Iv | 2000 | 5000 | - | ucd | IF=10mA |
| Peak Emission Wavelength | λP | - | 568 | - | nm | IF=20mA |
| Dominant Wavelength | λd | - | 572 | - | nm | IF=20mA |
| Spectrum Radiation Bandwidth | $\Delta \lambda$ | - | 30 | - | nm | IF=20mA |
| Reverse Current | IR | - | - | 100 | μA | VR=5V |
| Luminous Intensity Matching Ratio | IV-m | - | - | 2:1 | - | IF=20mA |



Model No : CSS-516G/517G

Typical Electrical / Optical Characteristics Curves -

(Ta = 25°C Unless Otherwise Noted)

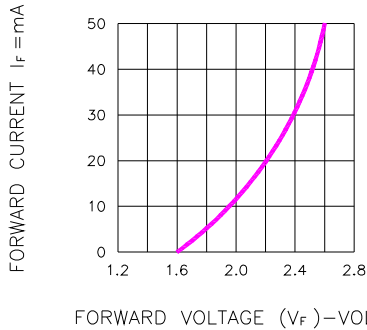


Fig.1 FORWARD CURRENT VS. FORWARD VOLTAGE

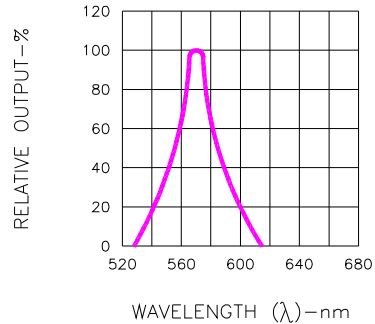


Fig.2 SPECTRAL RESPONSE

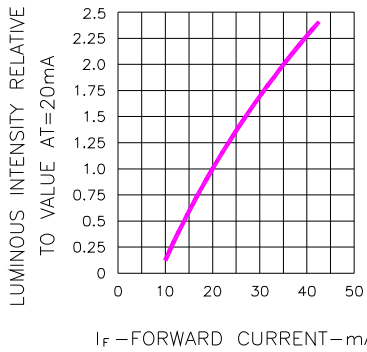


Fig.3 RELATIVE LUMINOUS INTENSITY VS. FORWARD CURRENT

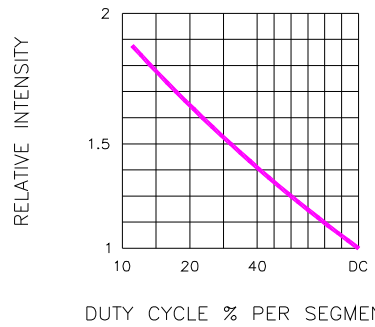


Fig.5 LUMINOUS INTENSITY VS. DUTY CYCLE

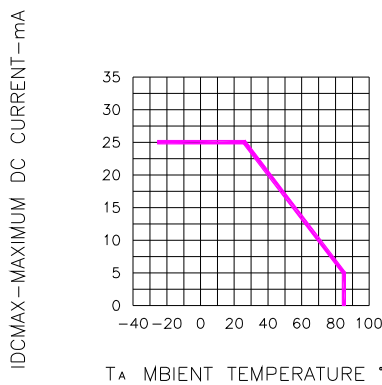


Fig.4 MAXIMUM ALLOWABLE DC CURRENT PER SEGMENT VS. A FUNCTION OF AMBIENT TEMPERATURE

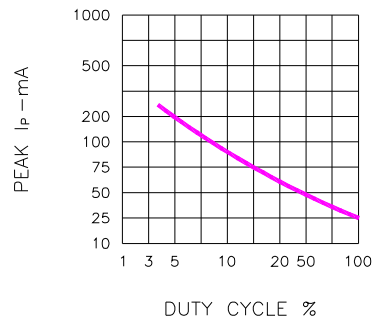


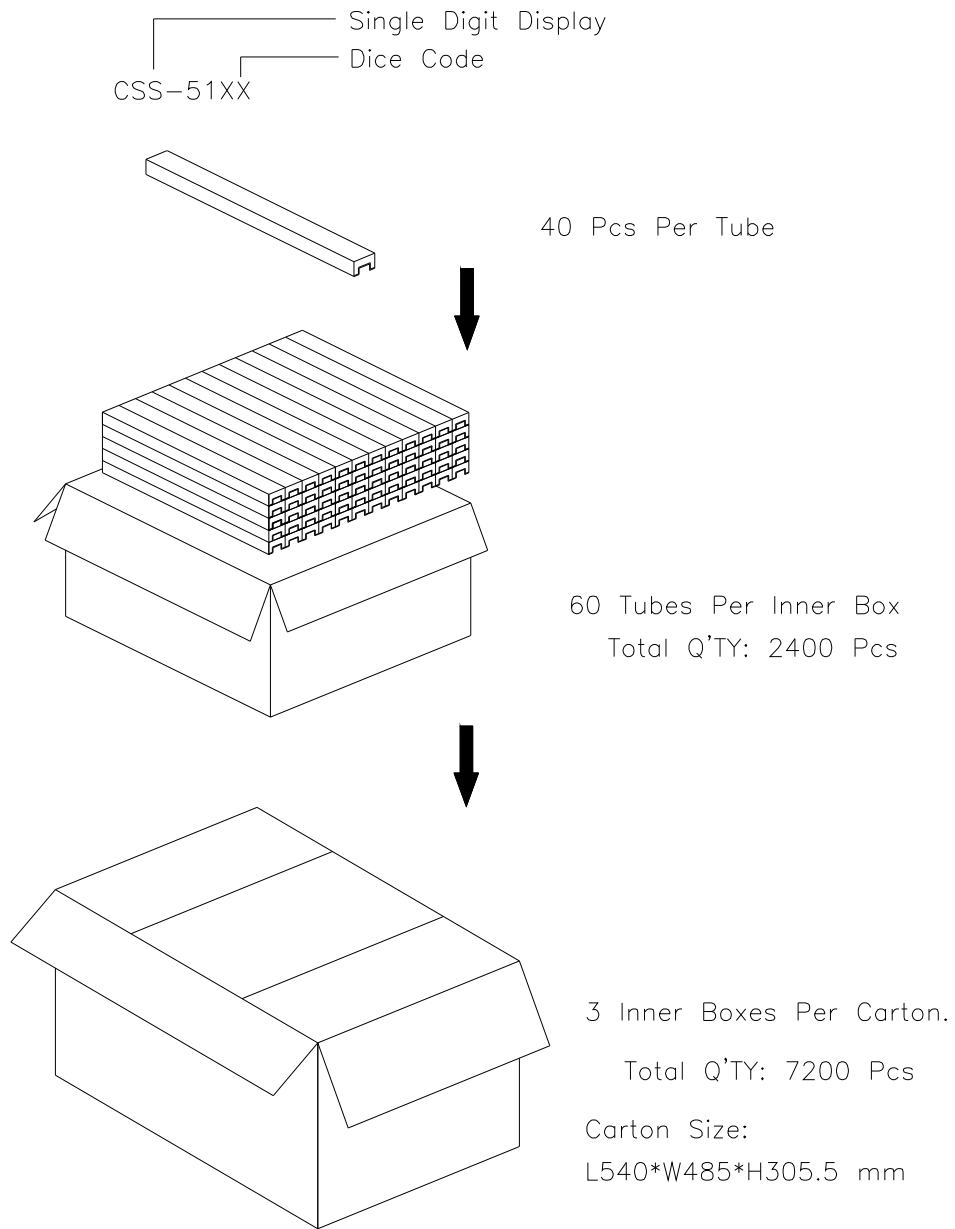
Fig.6 MAX PEAK CURRENT VS. DUTY CYCLE % (REFRESH RATE f = 1 KHz)



| | |
|-----------|------------|
| Spec. No. | PS-ND-0807 |
| Rev. | A |

Model No: **CSS-516G/517G**

■ Package Dimensions



Note: The specifications are subject to change without notice. Please contact us for updated information.
<http://www.csctw.com.tw>