

Voltage-to-Frequency/Frequency-to-Voltage Converter

Author: Michael O. Paiva,
Microchip Technology, Inc.

RATIOMETRIC MEASUREMENT (ANALOG DIVISION)

One of the most difficult circuits to build is one which will divide one analog signal by another. Two voltage-to-frequency (V/F) converters can do such division with ease. The numerator is counted directly as a signal, while the denominator forms the time base.

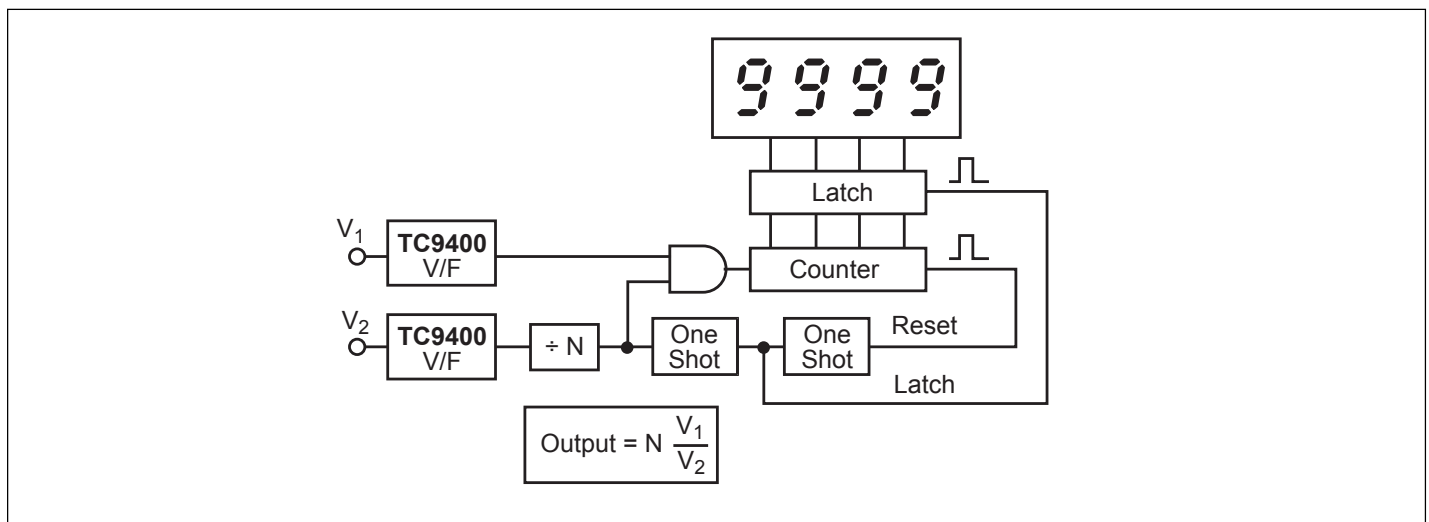


FIGURE 1: Ratiometric measurement (analog division).

RPM/SPEED INDICATOR

Flow rates and revolutions per second are nothing more than frequency signals, since they measure the number of events per time period. Optical and magnetic sensors will convert these flows and revolutions into a digital signal which, in turn, can be converted to a proportional voltage by the use of a frequency-to-voltage (F/V) converter. A simple voltmeter will then give a visual indication of the speed.

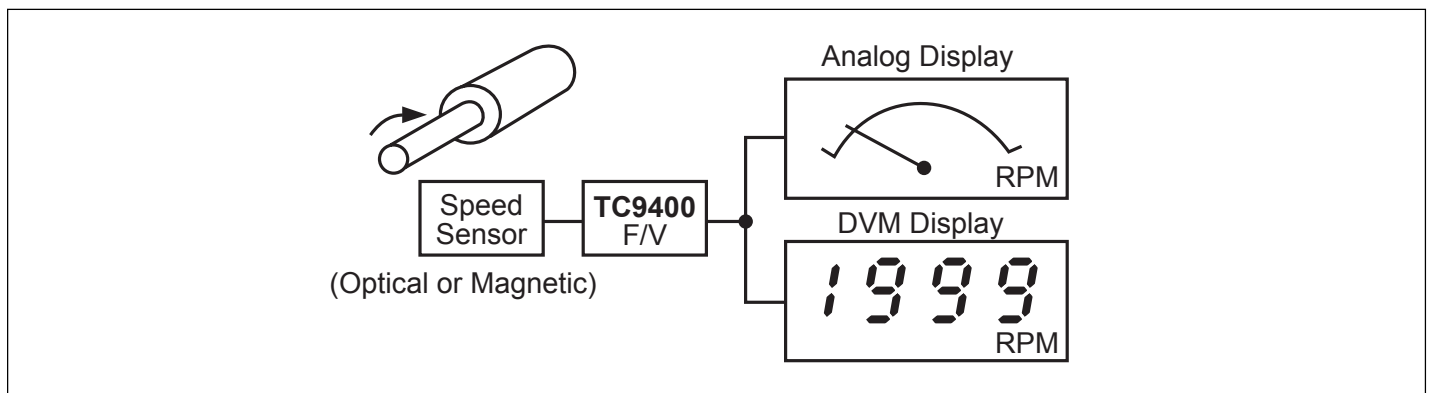


FIGURE 2: RPM/speed indicator.

AN795

MOTOR SPEED CONTROL

The motor's speed is measured with the F/V converter, which converts RPM into a proportional voltage. This voltage is used in a negative feedback system to maintain the motor at the controlled setting.

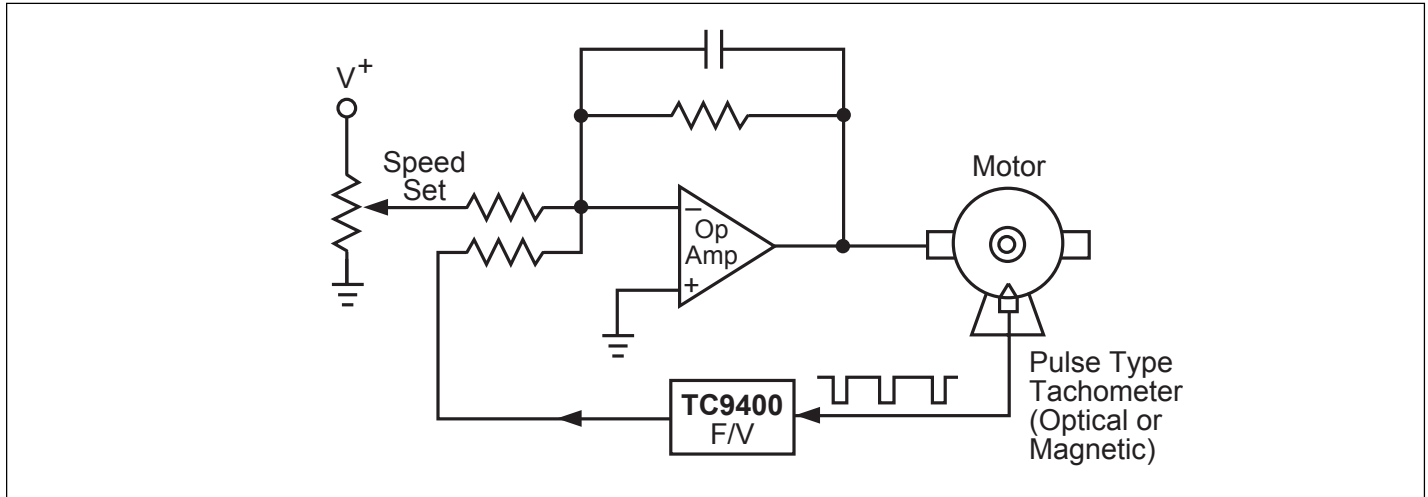


FIGURE 3: Motor speed control.

PROPORTIONAL FLOW-RATE CONTROLLER

A TC9400 F/V converter can be used to regulate the amount of liquid or gas flowing through a pipeline. The flow-rate detector generates a pulse train whose frequency is proportional to the rate of flow through it. The F/V converts this frequency to a proportional analog voltage which is used to drive the valve controller. The valve controller regulates the valve so that the flow is steady, even though pipeline pressure goes up and down. A voltmeter connected to the F/V converter output will indicate the actual instantaneous flow rate.

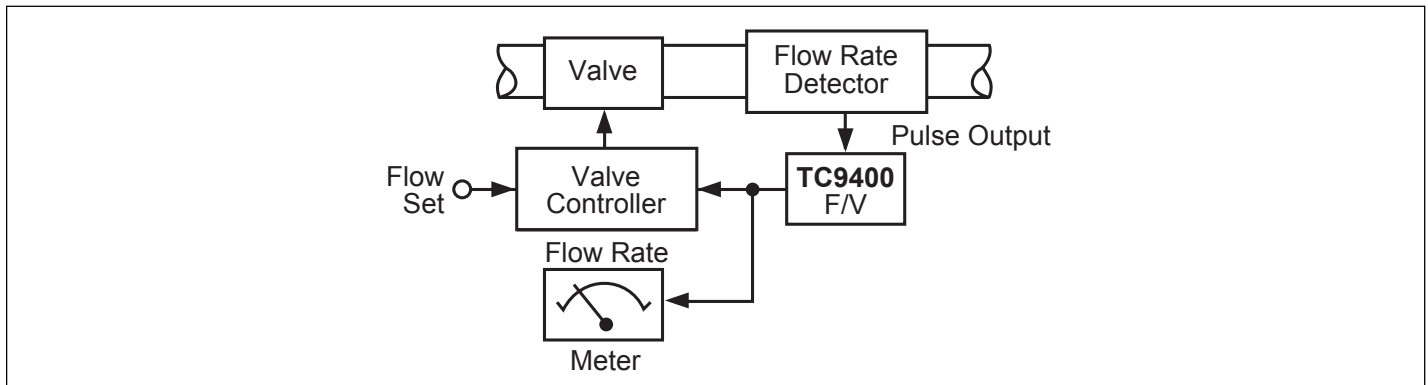


FIGURE 4: Proportional flow-rate controller.

TEMPERATURE METER

A temperature meter using the voltage output of a probe, such as one of the three shown, can be economically and straightforwardly implemented with the TC9400 V/F converter. The V/F output is simply counted to display the temperature. For long-distance data transmission, the TC9400 can be used to modulate an RF transmitter.

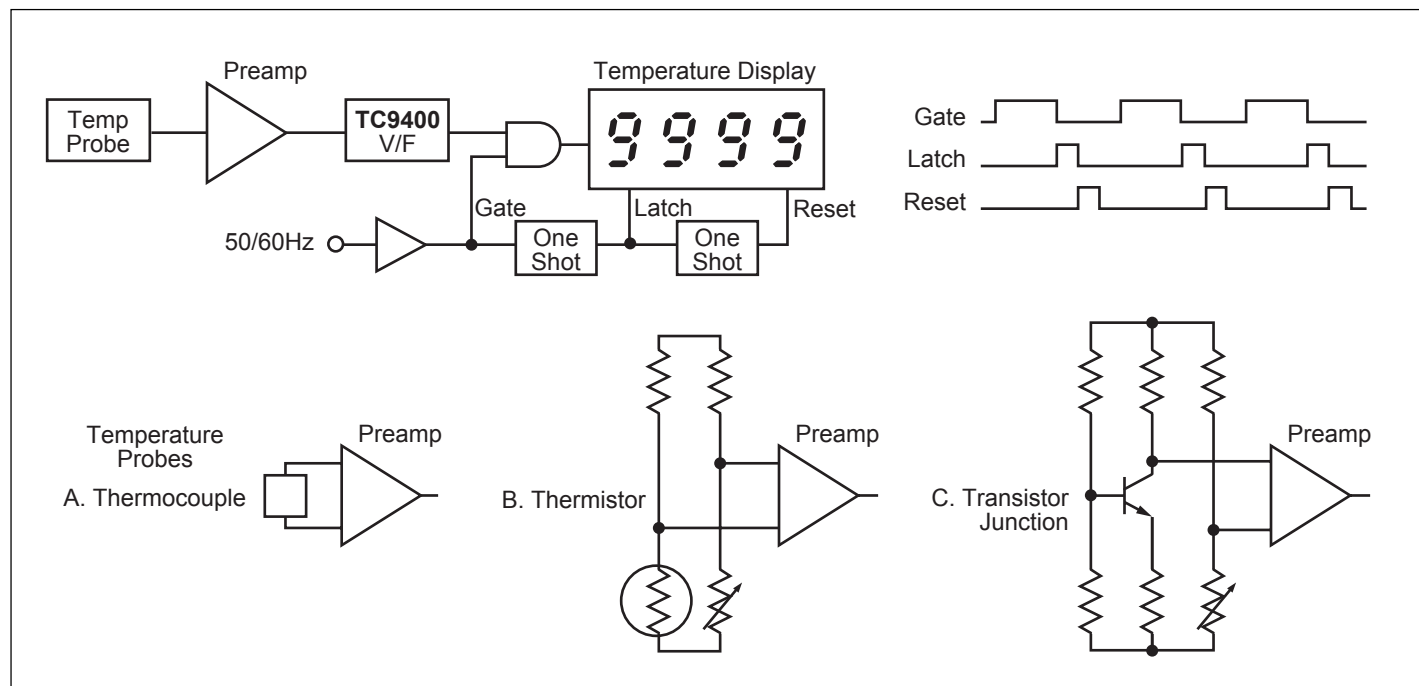


FIGURE 5: Temperature meter.

A/D CONVERSION WITH A MICROCONTROLLER

There are two schemes that can be utilized to accomplish A/D conversion with a microcontroller:

1. Depending on the number of digits of resolution required, V_{IN} is measured by counting the F_{OUT} frequency for 1ms, 10ms, 100ms, or 1 second. The final count is then directly proportional to V_{IN} . (The microcontroller provides the time base.)
2. V_{IN} is measured by determining the time between two pulses (negative edges). F_{OUT} is used as a gate for counting the microcontroller's clock. The final count will then be inversely proportional to V_{IN} .

By taking the one's complement (changing 1's to 0's and 0's to 1's) of the final binary count, a value directly proportional to V_{IN} will result. This technique will give a faster conversion time when resolution is very important, but dynamic range is limited.

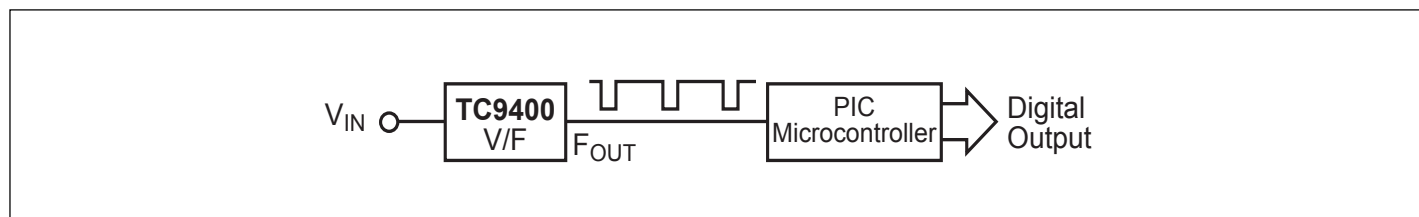


FIGURE 6: A/D conversion with a microcontroller.

AN795

13-BIT A/D CONVERTER

A 13-bit binary A/D converter can be built by combining the TC9400 V/F converter with a counter, latch, and time base. When the V/F converter is set up for 10kHz full scale, a 1-second time base will provide one conversion per second.

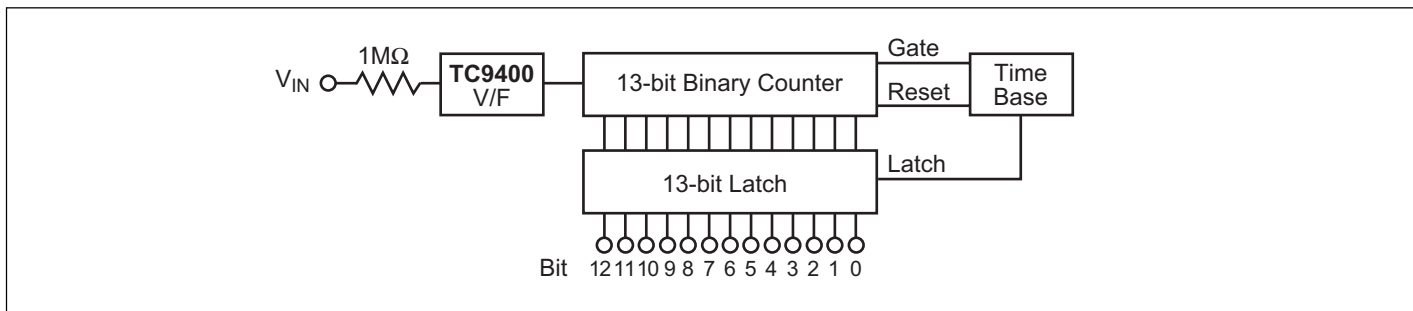


FIGURE 7: 13-Bit A/D converter.

4-DIGIT VOLTMETER WITH OPTOISOLATED INPUT

The use of a frequency counter will give a display of the V/F converter's frequency, which is directly proportional to the input voltage.

When the V/F converter is running at 10kHz full scale, a 1-second time base will give 4-digit resolution with 1 reading per second.

The optoisolator is used for transmitting the frequency, so there is no DC path to the frequency counter. This is especially useful in medical applications, where a voltage probe should not be directly connected to the human body.

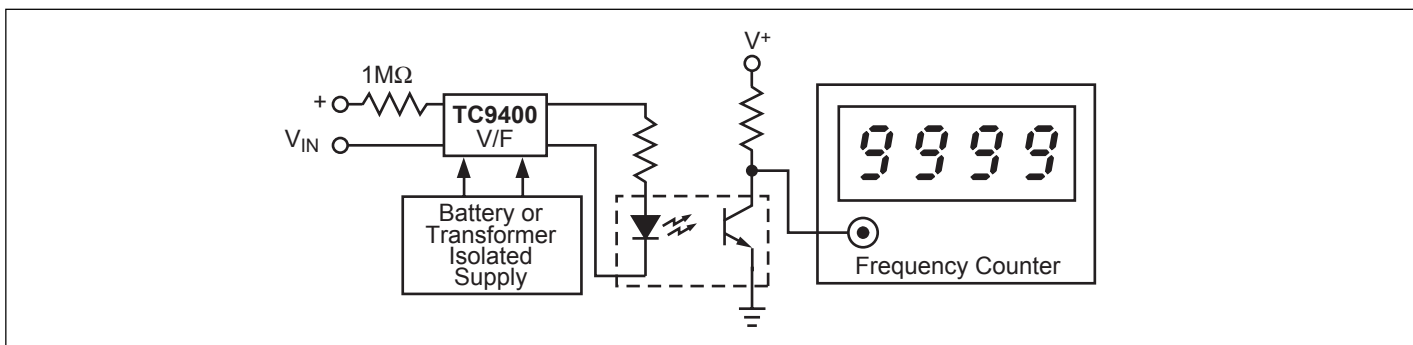


FIGURE 8: 4-Digit voltmeter with optoisolated input.

LONG-TERM INTEGRATOR WITH INFINITE HOLD

This system will integrate an input signal for minutes or days, and hold its output indefinitely. The data is held in a digital counter and stays there until the counter is reset. Typical applications involve controlling the amount of surface metal deposited in a plating system or how much charge a battery has taken on.

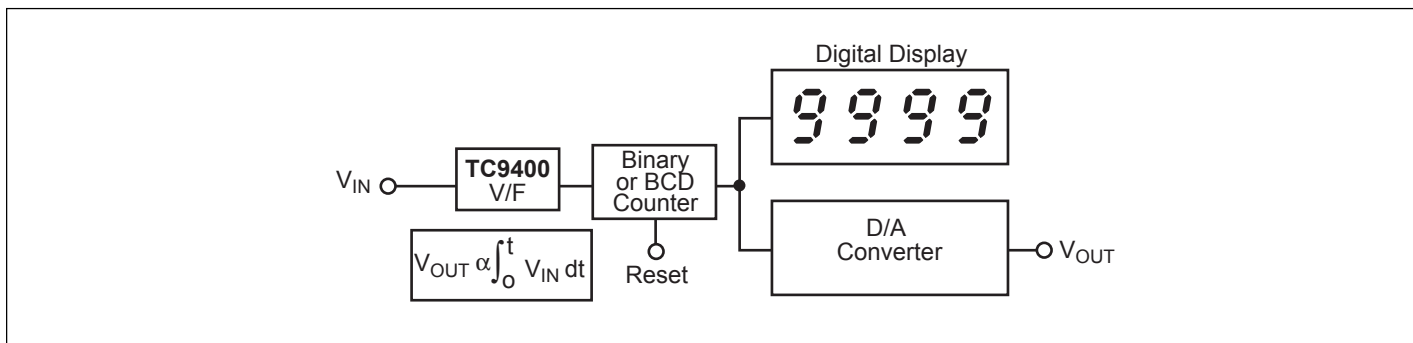


FIGURE 9: Long-term integrator with infinite hold.

LONG-TERM INTEGRATOR FOR BIPOLAR (\pm) SIGNALS

When the input signal is negative as well as positive, there has to be a way of generating "negative" frequencies. An absolute value circuit accomplishes this by giving the V/F converter a positive voltage only; and also telling the counter to count up for a positive voltage and to count down for a negative voltage.

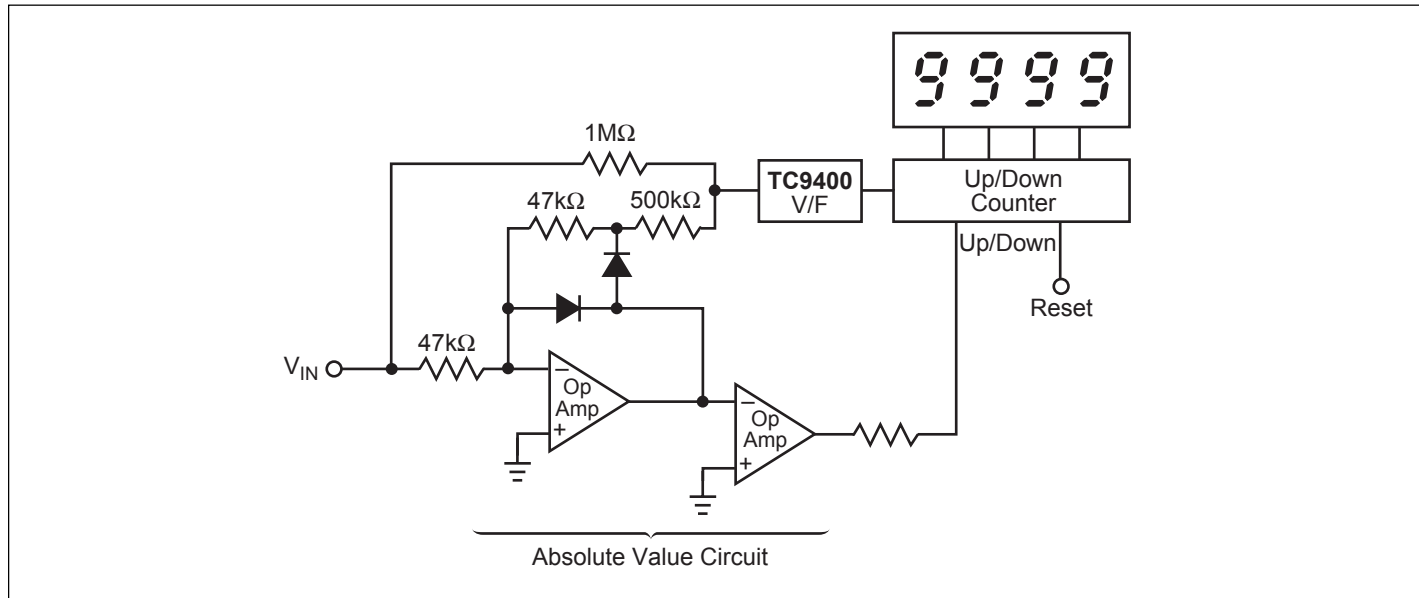


FIGURE 10: Long-term integrator for bipolar (\pm) signals.

ANALOG SIGNAL TRANSMISSION OVER TELEPHONE LINES

The TC9400's square-wave output is ideal for transmitting analog data over telephone lines. A square wave is actually preferred over a pulse waveform for data transmission, since the square wave takes up less frequency spectrum.

The square wave's spectrum can be further reduced by use of low-pass filters.

At the other end of the telephone line, the TC9400 converts the frequency signal back into a voltage output linearly proportional to the original input voltage.

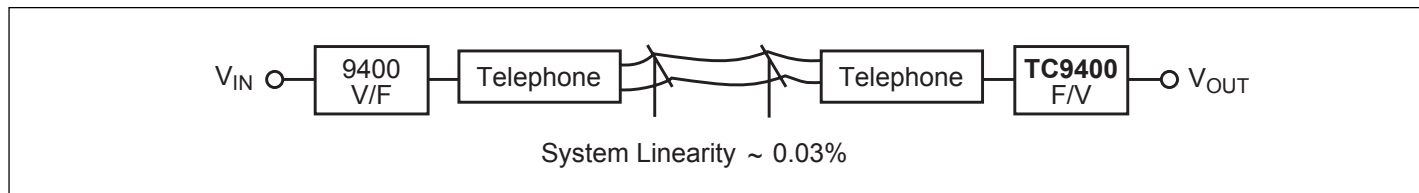


FIGURE 11: Analog signal transmission over telephone lines.

AN795

TELEMETRY

In a telemetry system, the TC9400 converts the analog input (V_{IN}) into frequencies (10Hz to 100kHz) which can be used to modulate an RF transmitter.

At the other end, a receiver picks up the RF signal and demodulates it back into the 10Hz to 100kHz spectrum. A frequency counter connected to this signal then gives a count linearly proportional to the original analog voltage (V_{IN}).

If a linearly-proportional analog output voltage is required, the counter can be replaced by a TC9400 used in the F/V mode.

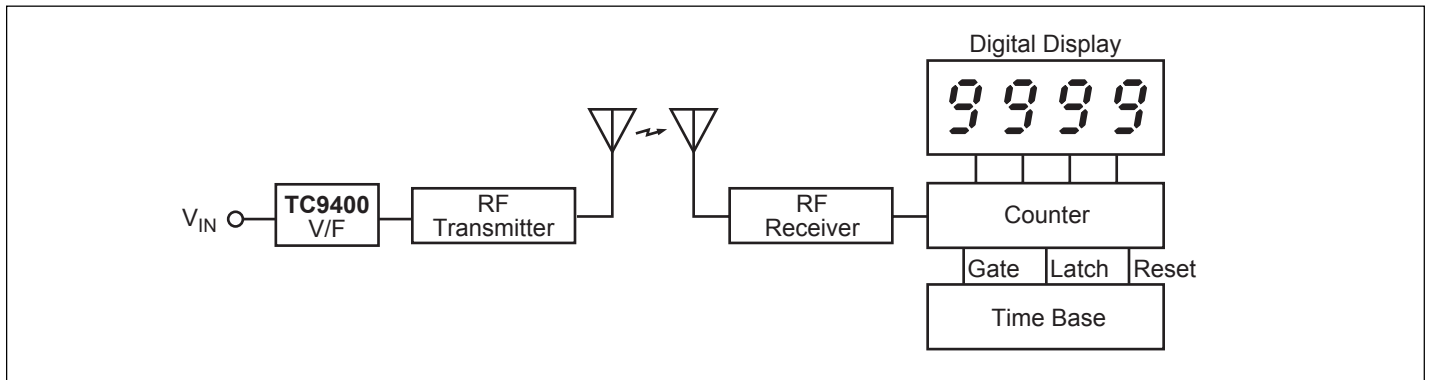


FIGURE 12: Telemetry.

HIGH NOISE IMMUNITY DATA TRANSMISSION

When transmitting analog data over long distances, it is advantageous to convert the analog signal into a digital signal, which is less susceptible to noise pick-up.

In the system shown below, the TC9400 converts the input voltage into a pulse or square wave which is transmitted on a pair of wires by use of a line driver and receiver. At the other end, the original voltage (V_{IN}), can be digitally displayed on a frequency counter or converted back to an analog voltage by use of a TC9400 F/V converter.

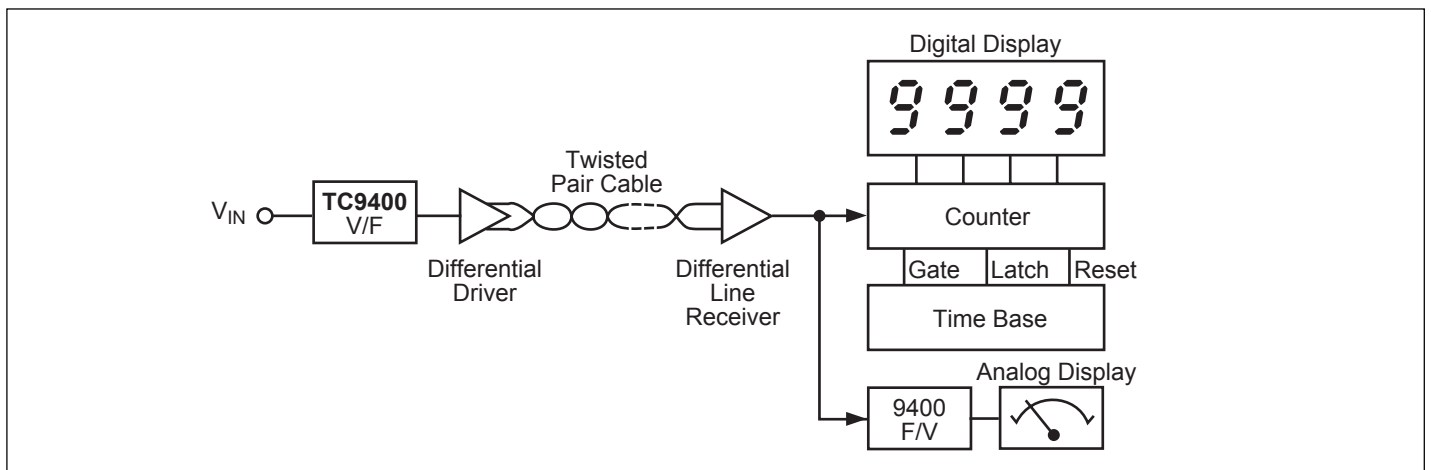


FIGURE 13: High noise immunity data transmission.

DC RESPONSE DATA RECORDING SYSTEM

Low-frequency analog data (DC to 10kHz) can be recorded anywhere, stored, and then reproduced. By varying the playback speed, the frequency spectrum of the original data can be shifted up or down.

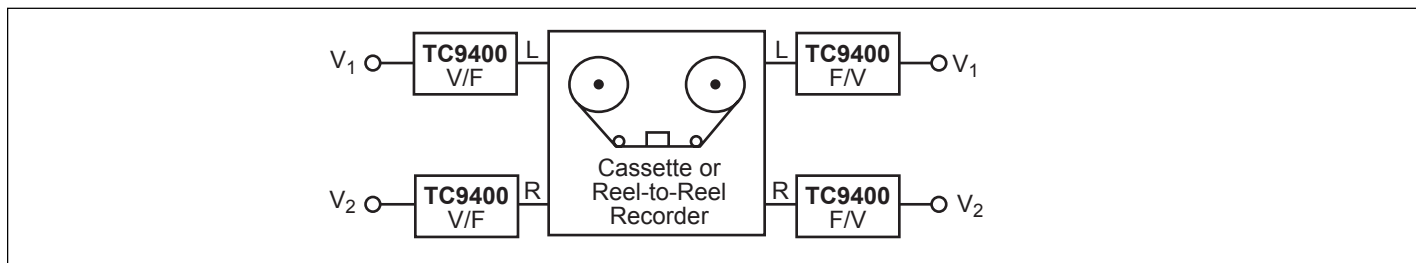


FIGURE 14: DC response data recording system.

FREQUENCY SHIFT KEYING (FSK) GENERATION AND DECODING

Frequency Shift Keying (FSK) is a simple means of transmitting digital data over a signal path (two wires, telephone lines, AM or FM transmitters).

Typically, only two frequencies are transmitted. One corresponds to a logical "0," the other to a logical "1." A TC9400 V/F converter will generate these two frequencies when connected as shown below. The potentiometer sets the V/F converter to the lower frequency. The digital input then determines which frequency is selected. A "0" selects the lower frequency, a "1" selects the upper frequency.

The digital frequency signal is converted back into a digital format by a TC9400 used in the F/V mode.

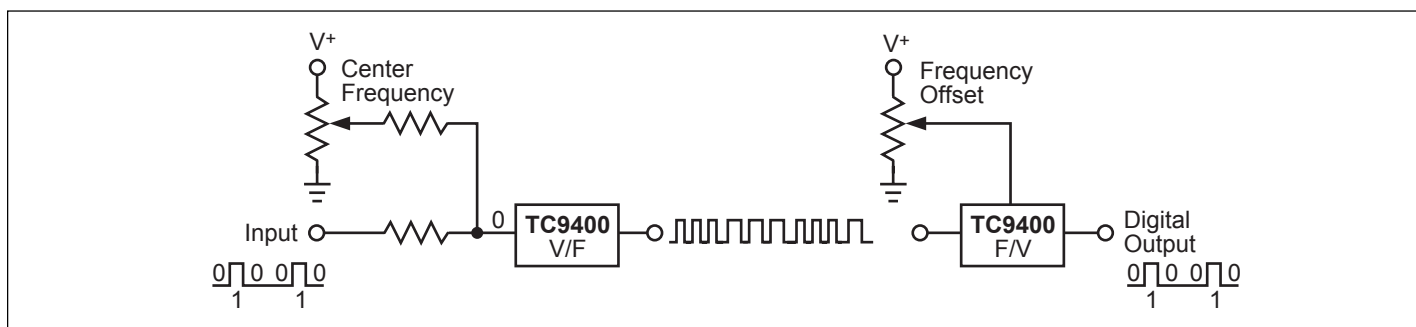


FIGURE 15: Frequency Shift Keying (FSK) generation and decoding.

ULTRALINEAR FREQUENCY MODULATOR

Since the TC9400 is a very linear V/F converter, an FM modulator is very easy to build.

The potentiometer determines the center frequency, while V_{IN} determines the amount of modulation (FM deviation) around the center frequency. V_{IN} can be negative as well as positive.

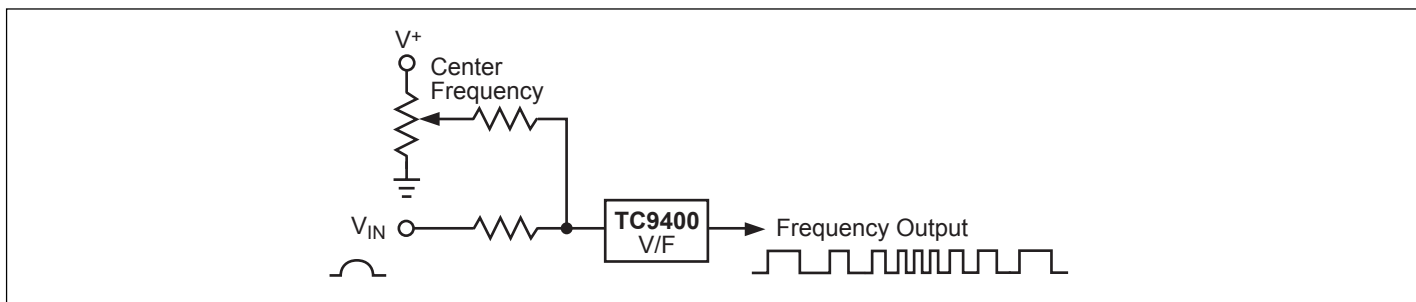


FIGURE 16: Ultralinear frequency modulator.

AN795

FREQUENCY METER

The TC9400 will convert any frequency below 100kHz into an output voltage, which is linearly proportional to the input frequency. The equivalent frequency is then displayed on an analog meter. If the incoming frequency is above 100kHz, a frequency divider in front of the TC9400 can be used to scale the frequency down into the 100kHz region.

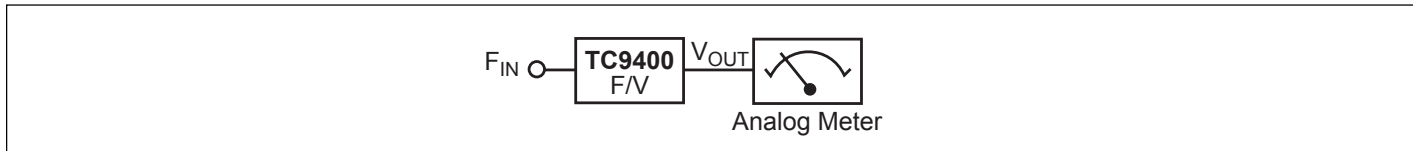


FIGURE 17: Frequency meter.

TACHOMETER BAR GRAPH DISPLAY

A tachometer can be constructed by using the TC9400 in the F/V mode to convert the frequency information (RPM) into a linearly proportional voltage. This voltage is then compared to one of "n" comparators (8 in this example). When the voltage exceeds the trip point of a comparator, the respective LED lights up and will continue to stay lit as long as the voltage exceeds the trip point. This gives a bar-graph-type display, with the height of the bar being proportional to RPM.

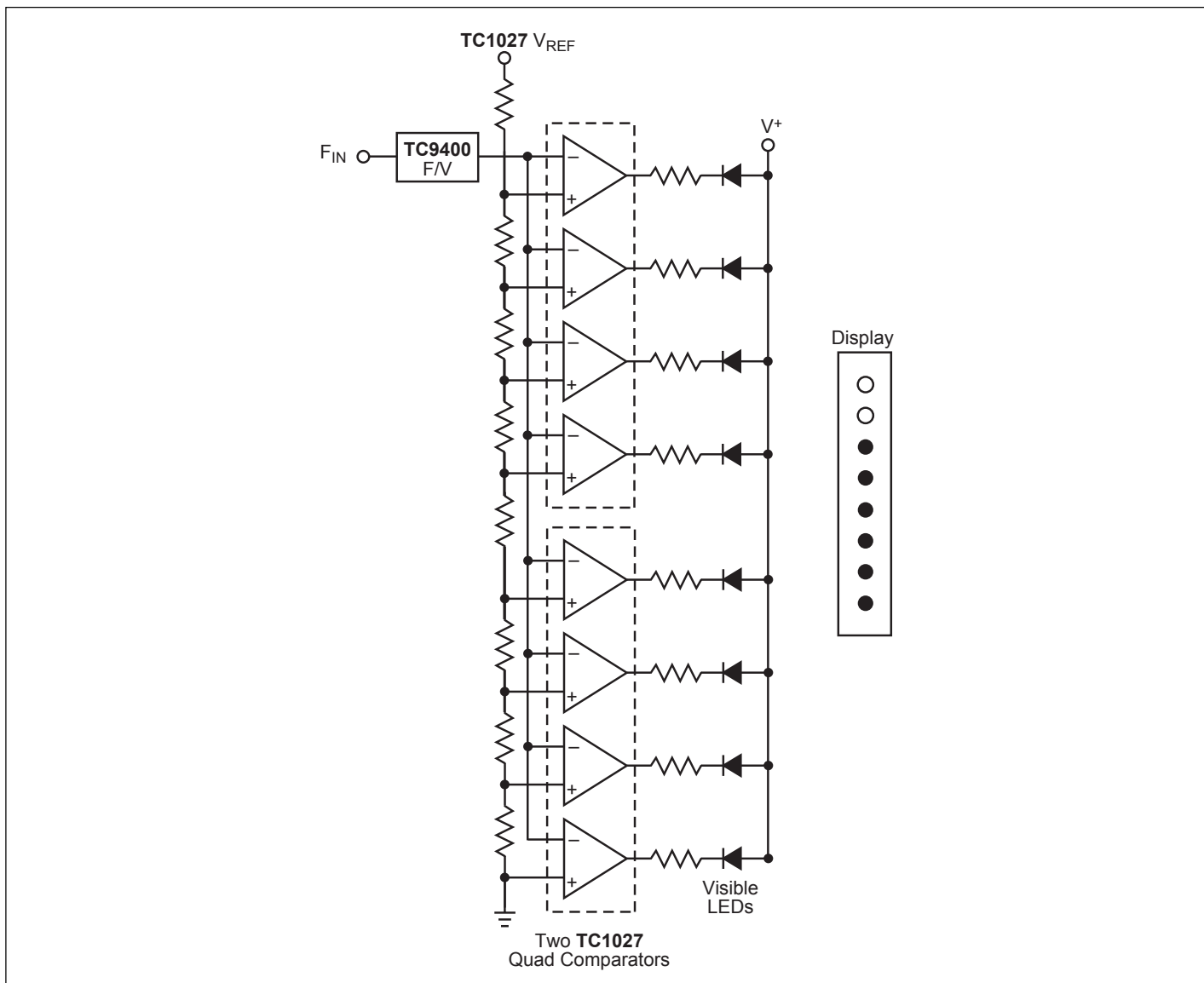


FIGURE 18: Tachometer bar graph display.

FREQUENCY/TONE DECODER

The frequency, or tone, to be detected is converted into a proportional analog voltage by the TC9400 F/V converter. The quad comparators sense when the voltage (frequency) exceeds any of the four preset frequency limits. A logical "1" at any of the five outputs indicates the frequency is within those limits.

This system is useful for determining which frequency band a signal is in, or for remote control, where each frequency band corresponds to a different command.

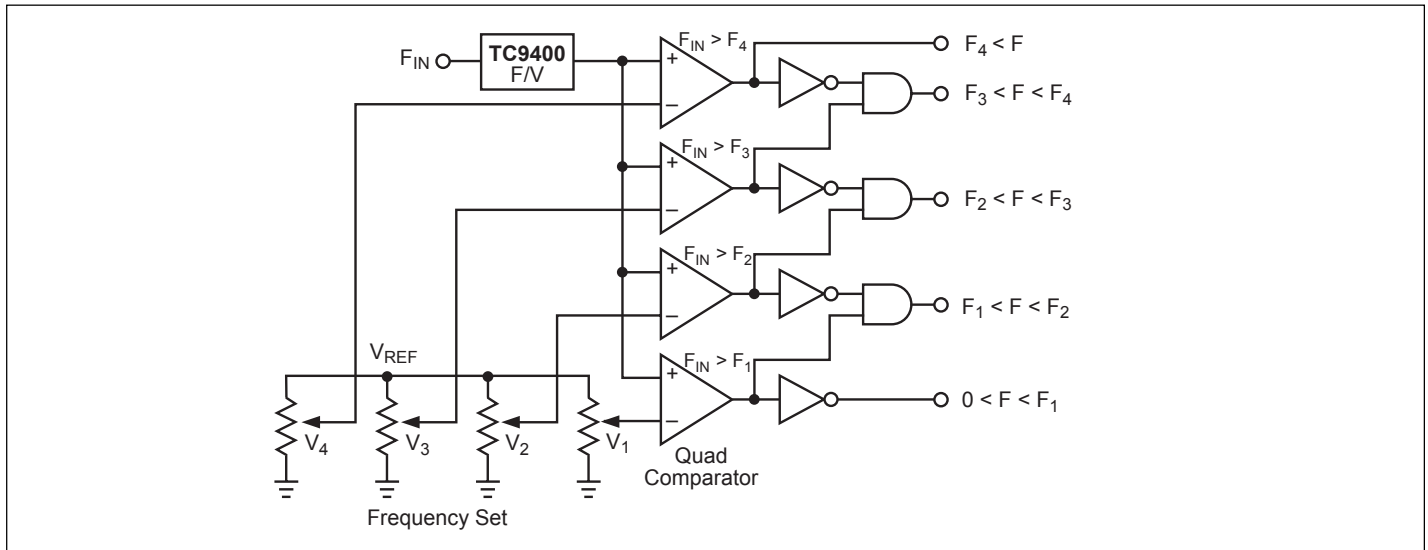


FIGURE 19: Frequency/tone decoder.

FM DEMODULATION WITH A PHASE-LOCKED LOOP

The high linearity of the TC9400 (0.01%) is used to greatly improve the performance of a phase-locked loop, resulting in very precise tracking of V_{OUT} with respect to F_{IN} .

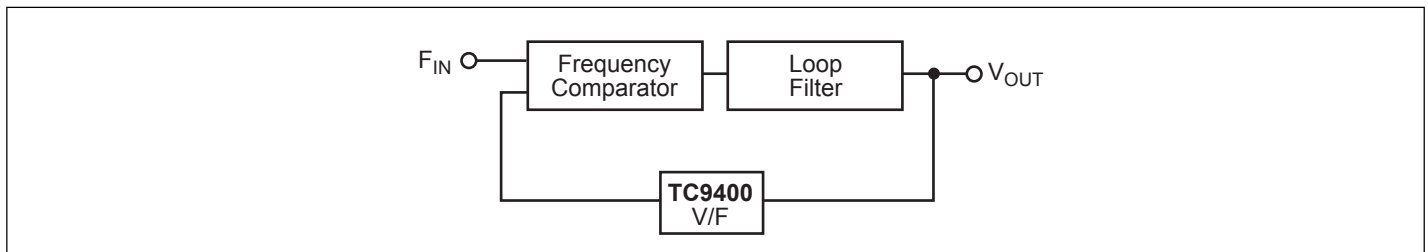


FIGURE 20: FM demodulation with a phase-locked loop.

AN795

ANALOG DATA TRANSMISSION ON DC SUPPLY LINES (TWO-WAY TRANSMITTER)

By converting an analog voltage to a linearly-proportional pulse train of short duration, it is possible to transmit this data on the same wires used to energize the V/F converter.

The TC9400 V/F converter shorts out the DC supply for $3\mu\text{sec}$ out of each period. At 100kHz, the supply line is down 30% of the 10 μsec period. As the frequency is lowered, the down-time decreases, so that at 1kHz the line is down only 0.3% of the time.

Two precautions are necessary to assure that the system does not stop functioning during the shorting period. At the power supply end, a 1.2k resistor limits the current to 10mA on a 15V supply line. This prevents the TC9400 from being operated beyond its output rating and at the same time prevents the supply from being shorted out. At the V/F end, a capacitor is used to keep the TC9400 energized, while the diode keeps the capacitor from being discharged.

Since the TC9400 requires only 2mA of current, a 1 μF capacitor ensures a stable voltage (the ripple is only 6mV). Since the $3\mu\text{sec}$ pulses appear at the left side of the 1.2k Ω resistor, it is easy to sense the signal here and convert the data back into a recognizable format. A frequency counter connected at this point will directly display the input voltage by counting the frequency.

If an analog output is required, a TC9400 in the F/V mode can be used to convert the frequency back into a voltage. The overall linearity is on the order of 0.03%, when both V/F and F/V are used. If only the V/F is used, 0.01% linearity can easily be achieved.

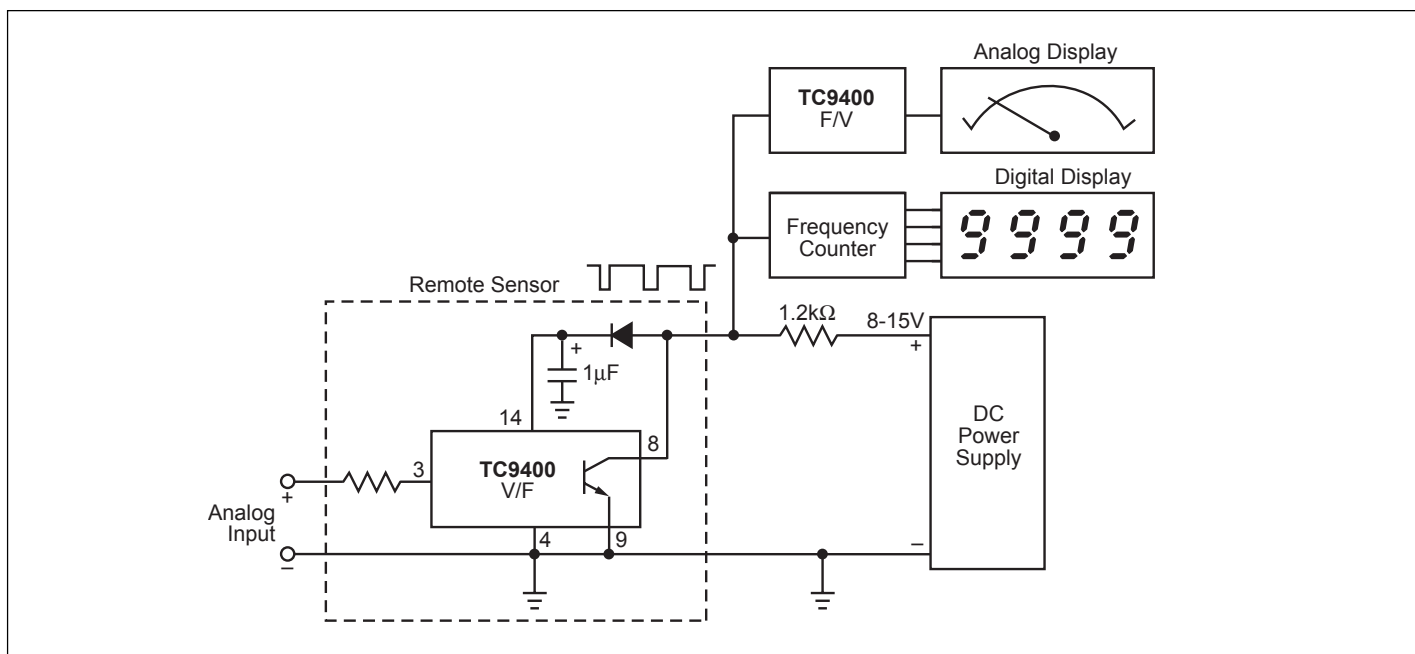


FIGURE 21: Analog data transmission on DC supply lines (two-way transmitter).

DIGITALLY CONTROLLED FREQUENCY SOURCE

This system generates frequencies controlled by a microcontroller counter, register, or thumb-wheel switches. Applications for such a system include computer-controlled test equipment and numerically-controlled machine tools.

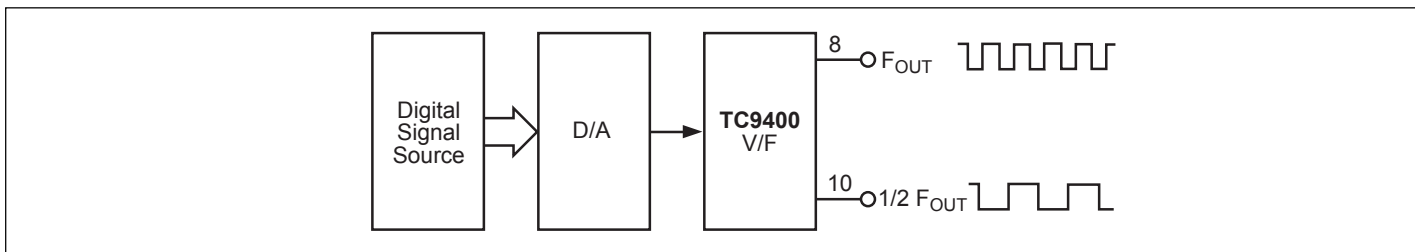


FIGURE 22: Digitally controlled frequency source.

WIDE FREQUENCY RANGE PULSE GENERATOR

The TC9400 V/F converter is useful in the laboratory as a portable, battery-operated, low-cost frequency source. The TC9400 provides both pulse and square-wave outputs. By adding an op-amp integrator, a triangular waveform can also be generated. The outputs can be frequency-modulated via the FM input.

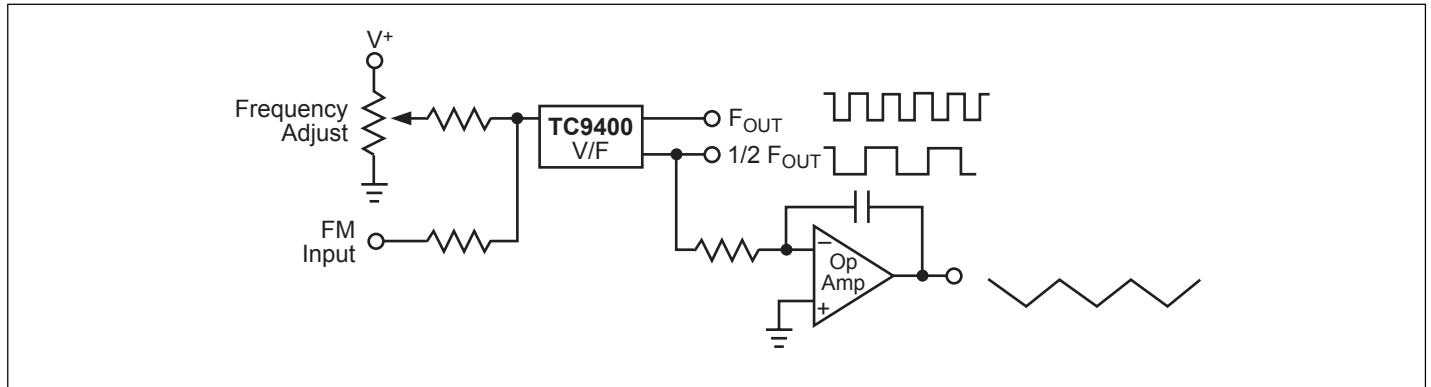


FIGURE 23: Wide frequency range pulse generator.

FREQUENCY MULTIPLIER/DIVIDER WITH INFINITE RESOLUTION

Frequency scaling can easily be performed by first converting the incoming frequency into a proportional DC voltage. This is accomplished by using the TC9400 in the F/V mode. Once the frequency is in a voltage format, it is easy to scale this voltage up or down by use of a single potentiometer. The resultant voltage is then applied to a TC9400 V/F converter, which generates a proportional output frequency.

Since the potentiometer is infinitely variable, the division/multiplication factor can be any number, including fractions (K_1 is simply V_{OUT}/F_{IN} , while K_2 is F_{OUT}/V_{IN}).

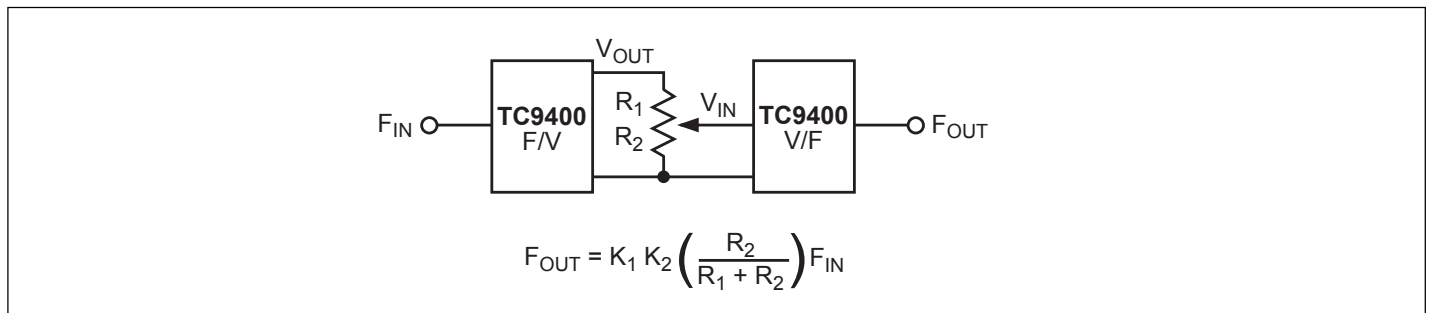


FIGURE 24: Frequency multiplier/divider with infinite resolution.

AN795

FREQUENCY DIFFERENCE MEASUREMENT

Frequency-difference measurement is accomplished by using two TC9400's in the F/V mode to convert both frequencies into two proportional analog voltages (V_1 and V_2). V_2 is inverted by a unity gain inverter. V_1 and $-V_2$ are then added by the summing op-amp to give a voltage proportional to the frequency difference between F_2 and F_1 .

Since the TC9400 V/F input is actually the summing junction to an op-amp, V_1 and $-V_2$ can be summed at the TC9400 input to generate a frequency output proportional to the difference between F_1 and F_2 .

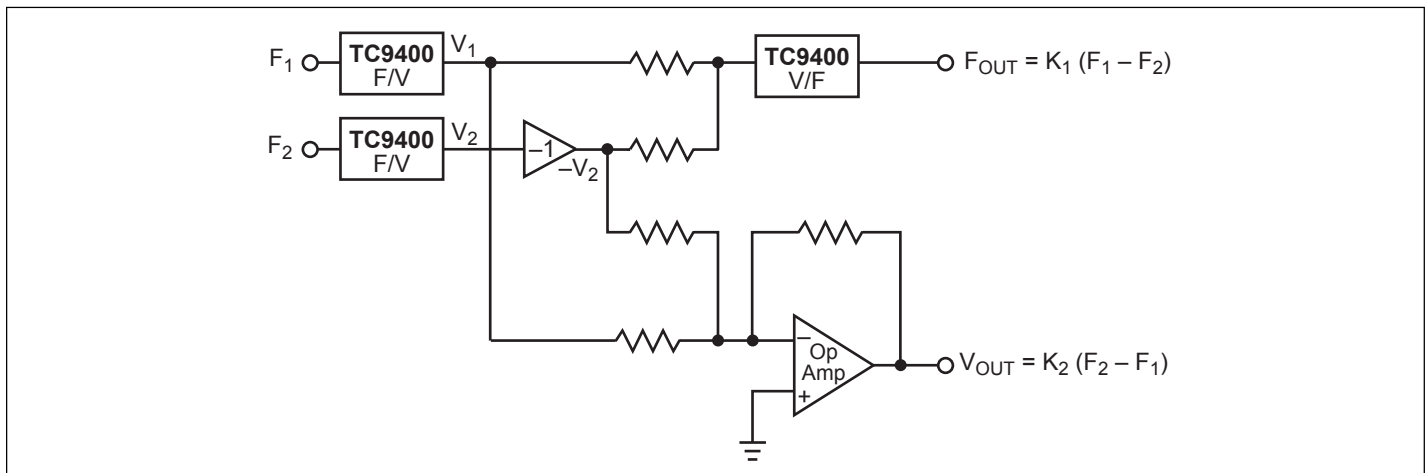


FIGURE 25: Frequency difference measurement.

CONVERTERS SIMPLIFY DESIGN OF FREQUENCY MULTIPLIER*

By using a programmable digital-to-analog converter in combination with frequency-to-voltage and voltage-to-frequency converters, this circuit can multiply an input frequency by any number. Because it needs neither combinational logic nor a high-speed counter, it is more flexible than competing designs, uses fewer parts, and is simpler to build.

As shown in the figure on the next page, the V/F converter, a TC9400, transforms the input frequency into a corresponding voltage. An inexpensive device, the converter, requires only a few external components for setting its upper operating frequency as high as 100kHz.

Next the signal is applied to the reference port of the DAC-03 D/A converter, where it is amplified by the frequency-multiplying factor programmed into the converter by thumbwheel switches or a microcontroller. The D/A converter's output is the product of the analog input voltage and the digital gain factor.

R_3 sets the gain of the op-amp to any value, providing trim adjustment or a convenient way to scale the D/A converter's output to a much higher or lower voltage for the final stage, a TC9400 converter that operates in the voltage-to-frequency mode. The op-amp and R_3 can also be used to set circuit gain to non-integer values. The V/F device then converts the input voltage into a proportionally higher or lower frequency.

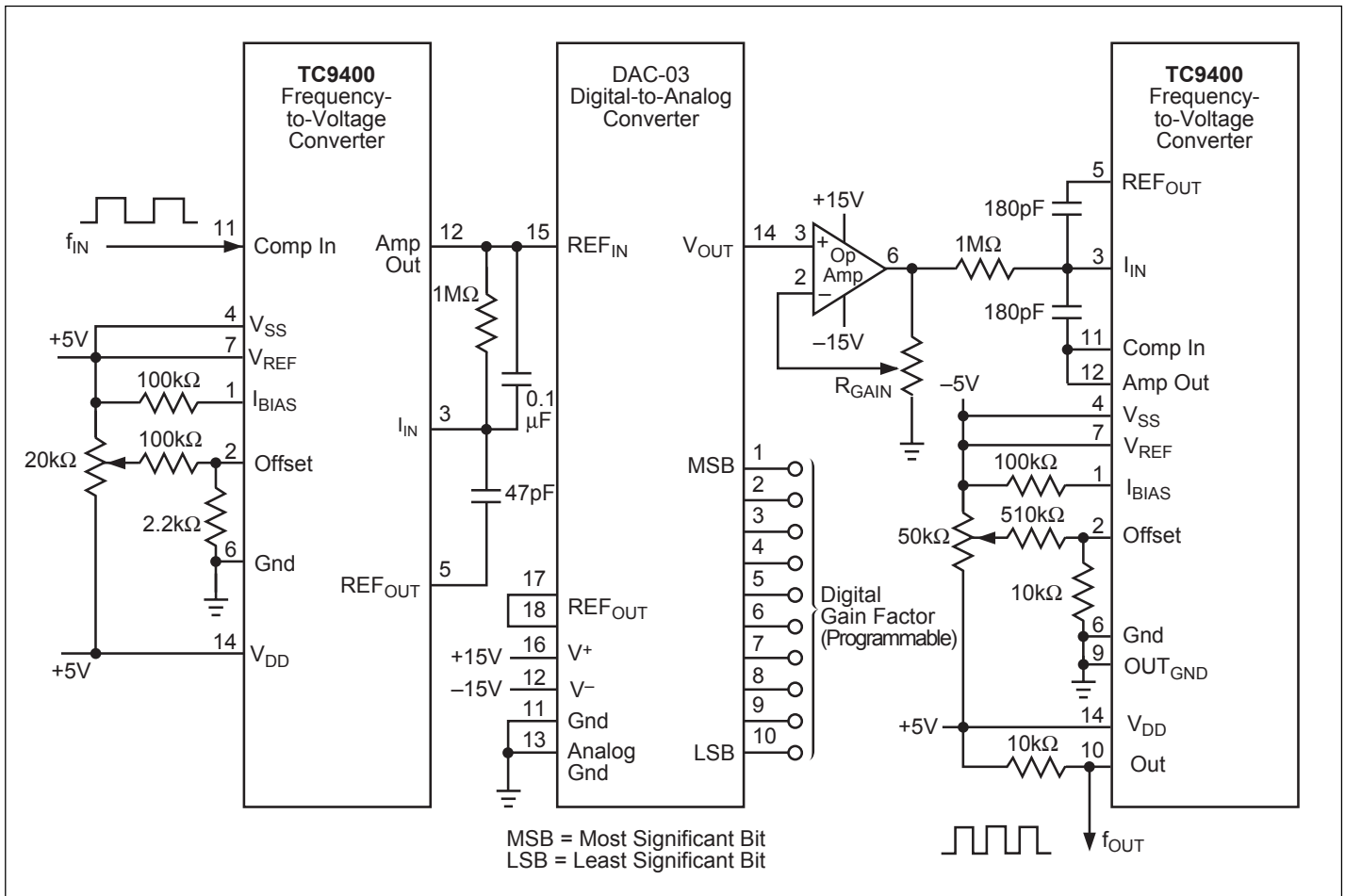


FIGURE 26: Circuit uses frequency-to-voltage-to-frequency conversion, with intermediate stage of gain between conversions, for multiplying input frequency by any number. Digital-to-analog converter is programmed digitally, by thumbwheel switches or microcontroller, for coarse selection of frequency-multiplying factor; op-amp provides fine gain, enables choice of non-integer multiplication values.

*Reprinted with permission from Electronics, October 12, 1978; Copyright © Mc-Graw-Hill, Inc., 1978. All rights reserved.

Information contained in this publication regarding device applications and the like is intended through suggestion only and may be superseded by updates. It is your responsibility to ensure that your application meets with your specifications. No representation or warranty is given and no liability is assumed by Microchip Technology Incorporated with respect to the accuracy or use of such information, or infringement of patents or other intellectual property rights arising from such use or otherwise. Use of Microchip's products as critical components in life support systems is not authorized except with express written approval by Microchip. No licenses are conveyed, implicitly or otherwise, under any intellectual property rights.

Trademarks


The Microchip name and logo, the Microchip logo, FilterLab, KEELOQ, microID, MPLAB, PIC, PICmicro, PICMASTER, PICSTART, PRO MATE, SEEVAL and The Embedded Control Solutions Company are registered trademarks of Microchip Technology Incorporated in the U.S.A. and other countries.

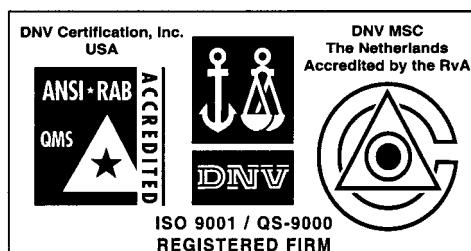
dsPIC, ECONOMONITOR, FanSense, FlexROM, fuzzyLAB, In-Circuit Serial Programming, ICSP, ICEPIC, microPort, Migratable Memory, MPASM, MPLIB, MPLINK, MPSIM, MXDEV, PICC, PICDEM, PICDEM.net, rfPIC, Select Mode and Total Endurance are trademarks of Microchip Technology Incorporated in the U.S.A.

Serialized Quick Turn Programming (SQTP) is a service mark of Microchip Technology Incorporated in the U.S.A.

All other trademarks mentioned herein are property of their respective companies.

© 2002, Microchip Technology Incorporated, Printed in the U.S.A., All Rights Reserved.

 Printed on recycled paper.



Microchip received QS-9000 quality system certification for its worldwide headquarters, design and wafer fabrication facilities in Chandler and Tempe, Arizona in July 1999. The Company's quality system processes and procedures are QS-9000 compliant for its PICmicro® 8-bit MCUs, KEELOQ® code hopping devices, Serial EEPROMs and microperipheral products. In addition, Microchip's quality system for the design and manufacture of development systems is ISO 9001 certified.



MICROCHIP

WORLDWIDE SALES AND SERVICE

AMERICAS

Corporate Office

2355 West Chandler Blvd.
Chandler, AZ 85224-6199
Tel: 480-792-7200 Fax: 480-792-7277
Technical Support: 480-792-7627
Web Address: <http://www.microchip.com>

Rocky Mountain

2355 West Chandler Blvd.
Chandler, AZ 85224-6199
Tel: 480-692-7966 Fax: 480-792-7456

Atlanta

500 Sugar Mill Road, Suite 200B
Atlanta, GA 30350
Tel: 770-640-0034 Fax: 770-640-0307

Boston

2 Lan Drive, Suite 120
Westford, MA 01886
Tel: 978-692-3848 Fax: 978-692-3821

Chicago

333 Pierce Road, Suite 180
Itasca, IL 60143
Tel: 630-285-0071 Fax: 630-285-0075

Dallas

4570 Westgrove Drive, Suite 160
Addison, TX 75001
Tel: 972-818-7423 Fax: 972-818-2924

Detroit

Tri-Atria Office Building
32255 Northwestern Highway, Suite 190
Farmington Hills, MI 48334
Tel: 248-538-2250 Fax: 248-538-2260

Kokomo

2767 S. Albright Road
Kokomo, Indiana 46902
Tel: 765-864-8360 Fax: 765-864-8387

Los Angeles

18201 Von Karman, Suite 1090
Irvine, CA 92612
Tel: 949-263-1888 Fax: 949-263-1338

New York

150 Motor Parkway, Suite 202
Hauppauge, NY 11788
Tel: 631-273-5305 Fax: 631-273-5335

San Jose

Microchip Technology Inc.
2107 North First Street, Suite 590
San Jose, CA 95131
Tel: 408-436-7950 Fax: 408-436-7955

Toronto

6285 Northam Drive, Suite 108
Mississauga, Ontario L4V 1X5, Canada
Tel: 905-673-0699 Fax: 905-673-6509

ASIA/PACIFIC

Australia

Microchip Technology Australia Pty Ltd
Suite 22, 41 Rawson Street
Epping 2121, NSW
Australia
Tel: 61-2-9868-6733 Fax: 61-2-9868-6755

China - Beijing

Microchip Technology Consulting (Shanghai)
Co., Ltd., Beijing Liaison Office
Unit 915
Bei Hai Wan Tai Bldg.
No. 6 Chaoyangmen Beidajie
Beijing, 100027, No. China
Tel: 86-10-85282100 Fax: 86-10-85282104

China - Chengdu

Microchip Technology Consulting (Shanghai)
Co., Ltd., Chengdu Liaison Office
Rm. 2401, 24th Floor,
Ming Xing Financial Tower
No. 88 TIDU Street
Chengdu 610016, China
Tel: 86-28-6766200 Fax: 86-28-6766599

China - Fuzhou

Microchip Technology Consulting (Shanghai)
Co., Ltd., Fuzhou Liaison Office
Unit 28F, World Trade Plaza
No. 71 Wusi Road
Fuzhou 350001, China
Tel: 86-591-7503506 Fax: 86-591-7503521

China - Shanghai

Microchip Technology Consulting (Shanghai)
Co., Ltd.
Room 701, Bldg. B
Far East International Plaza
No. 317 Xian Xia Road
Shanghai, 200051
Tel: 86-21-6275-5700 Fax: 86-21-6275-5060

China - Shenzhen

Microchip Technology Consulting (Shanghai)
Co., Ltd., Shenzhen Liaison Office
Rm. 1315, 13/F, Shenzhen Kerry Centre,
Renminnan Lu
Shenzhen 518001, China
Tel: 86-755-2350361 Fax: 86-755-2366086

Hong Kong

Microchip Technology Hongkong Ltd.
Unit 901-6, Tower 2, Metroplaza
223 Hing Fong Road
Kwai Fong, N.T., Hong Kong
Tel: 852-2401-1200 Fax: 852-2401-3431

India

Microchip Technology Inc.
India Liaison Office
Divyasree Chambers
1 Floor, Wing A (A3/A4)
No. 11, O'Shaughnessey Road
Bangalore, 560 025, India
Tel: 91-80-2290061 Fax: 91-80-2290062

Japan

Microchip Technology Japan K.K.
Benex S-1 6F
3-18-20, Shinyokohama
Kohoku-Ku, Yokohama-shi
Kanagawa, 222-0033, Japan
Tel: 81-45-471-6166 Fax: 81-45-471-6122

Korea

Microchip Technology Korea
168-1, Youngbo Bldg. 3 Floor
Samsung-Dong, Kangnam-Ku
Seoul, Korea 135-882
Tel: 82-2-554-7200 Fax: 82-2-558-5934

Singapore

Microchip Technology Singapore Pte Ltd.
200 Middle Road
#07-02 Prime Centre
Singapore, 188980
Tel: 65-6334-8870 Fax: 65-6334-8850

Taiwan

Microchip Technology Taiwan
11F-3, No. 207
Tung Hua North Road
Taipei, 105, Taiwan
Tel: 886-2-2717-7175 Fax: 886-2-2545-0139

EUROPE

Denmark

Microchip Technology Nordic ApS
Regus Business Centre
Lautrup høj 1-3
Ballerup DK-2750 Denmark
Tel: 45 4420 9895 Fax: 45 4420 9910

France

Microchip Technology SARL
Parc d'Activite du Moulin de Massy
43 Rue du Saule Trapu
Batiment A - 1er Etage
91300 Massy, France
Tel: 33-1-69-53-63-20 Fax: 33-1-69-30-90-79

Germany

Microchip Technology GmbH
Gustav-Heinemann Ring 125
D-81739 Munich, Germany
Tel: 49-89-627-144 0 Fax: 49-89-627-144-44

Italy

Microchip Technology SRL
Centro Direzionale Colleoni
Palazzo Taurus 1 V. Le Colleoni 1
20041 Agrate Brianza
Milan, Italy
Tel: 39-039-65791-1 Fax: 39-039-6899883

United Kingdom

Arizona Microchip Technology Ltd.
505 Eskdale Road
Winnersh Triangle
Wokingham
Berkshire, England RG41 5TU
Tel: 44 118 921 5869 Fax: 44-118 921-5820

03/01/02

