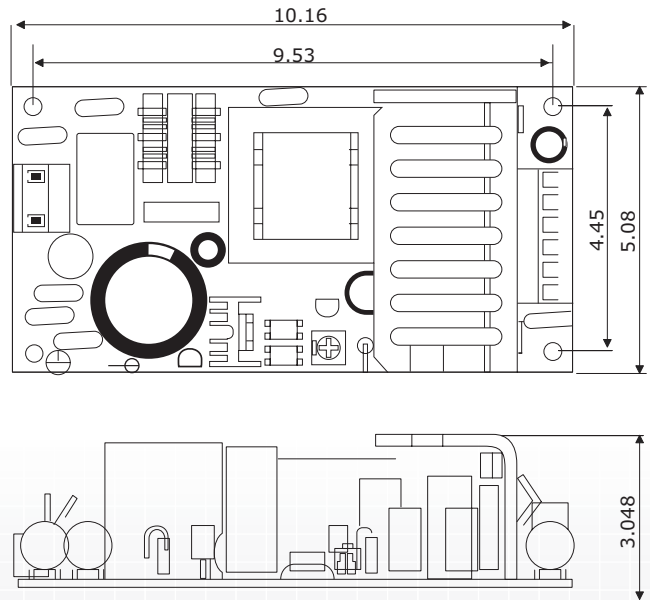


MPE-FT40-02

40W Triple Outputs AC-DC Open Frame Power Supply



Industrial Power Supply

AC-DC

FEATURES

- ***Input Voltage:** The range of input voltage is from 90~264VAC or 120~370VDC
- ***Input Frequency:** 47~440Hz
- ***Input Current:** The maximum input current is 1A(RMS) at 115VAC
- ***Inrush Current:** The cold inrush current will limit less than 50A at 264VAC input voltage
- ***Load Range:** Voltage accuracy is set at full load. Maximum output power is 42.6W
- ***Ripple And Noise:** The peak to peak ripple and noise for +5V output is less than 50mV, 120mV for +/-12V outputs. Measuring is done by 20MHz bandwidth limited oscilloscope and terminated each output with a 0.1uF ceramic capacitor and a 10uF electrolysis capacitor at rated load, nominal line
- ***Line Regulation:** The line regulation for +5V and -12V is less than +/-1%, +/-2% for +12V
- ***Load Regulation:** The load regulation for +5V output is less than +/-3%, +/-5% for +12V, and +/-1% for -12V. Measuring is measured from 60% to 100% and 60% to 20% with full load (60% +/-40% full load)
- ***Hold Up Time:** Hold up time is 20mS typical at 115VAC input
- ***Efficiency:** The efficiency is 75% typical while measuring is at nominal line and rated load
- ***Over Voltage Protection:** The trip point of crowbar circuit is around 5.7~6.7V for +5V output and 14.4~16.8V for +12V. The power supply will go into hiccup mode against short circuit or over load conditions, and will do auto-recovery while faulty conditions are removed
- ***Temperature:** 0~+50°C (operating); -20~+85°C (storage)
- ***Humidity:** 5~95% non-condensing
- ***Connectors:**
 - I/P Connector: Molex 5277 or equivalent
 - O/P Connector: Molex 5273 or equivalent
- ***Dimensions:** 10.16 x 5.08 x 3.048 cm

SAFETY STANDARDS

- ***Safety:** UL 1950 / TUV EN60950 / CE mark
- ***EMI:** EN55022 class B / CISPR FCC class B

PIN	Output
1	+12V
2	+5V
3	+5V
4	COM
5	COM
6	-12V

Output Voltage	Min. Load	Rated Load	Max. Load	Voltage Accuracy
+5V	0.4A	3.0A	5.0A	4.85~5.15V
+12V	0.2A	2.0A	2.5A	11.52~12.48V
-12V	0A	0.3A	0.5A	11.64~12.36V