

## EPC3089-X

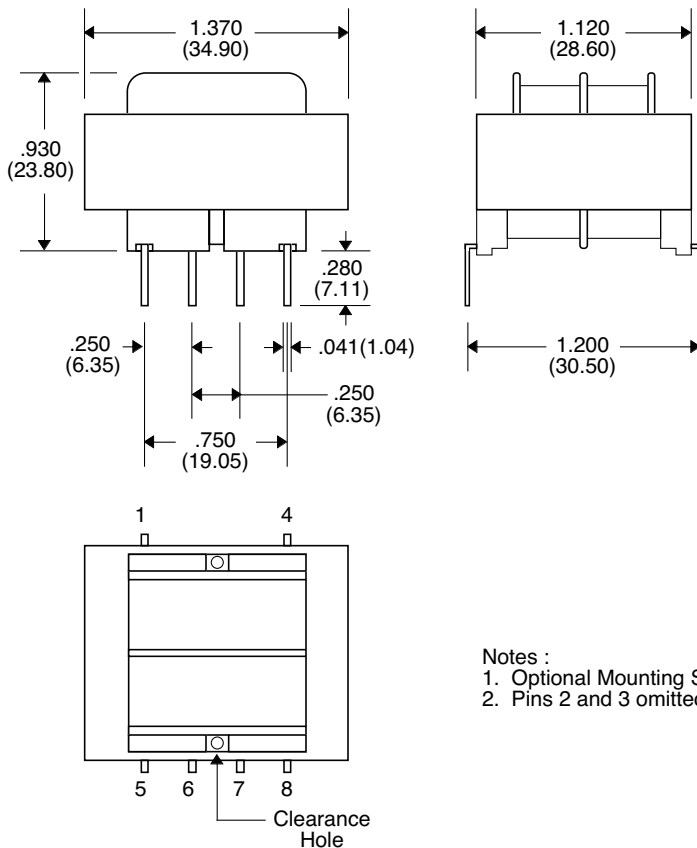
- Single Primary : 115 V
- Split Bobbin Construction
- UL 94V-0 Recognized Components
- UL 1446 Class B Insulation System
- Meets or exceeds CSA/TUV/VDE Specifications for Creepage, Clearance and Dielectric Strength

### Electrical Parameters @ 25° C

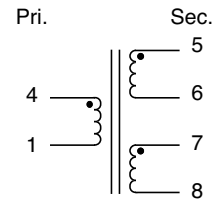
Part Number	Primary Voltage	Secondary Voltage		Secondary Current (A-Rms)		Power Rating (VA)
		Parallel Connection	Series Connection	Parallel Connection	Series Connection	
EPC3089-1	115	5.0	10	0.22	0.11	1.1
EPC3089-2	115	6.3	12.6	0.58	.090	1.1
EPC3089-3	115	8.0	16	0.14	0.70	1.1
EPC3089-4	115	10	20	0.11	0.55	1.1
EPC3089-5	115	12	24	0.09	0.45	1.1
EPC3089-6	115	14	28	0.08	0.04	1.1
EPC3089-7	115	18	36	0.06	0.03	1.1
EPC3089-8	115	24	48	0.046	0.023	1.1
EPC3089-9	115	28	56	0.04	0.02	1.1
EPC3089-10	115	60	120	0.02	0.01	1.1

• Switching Frequency : 50 Hz - 500 Hz • Isolation : 2500 Vrms •

### Package



### Schematic



#### Notes :

1. Optional Mounting Screws and Nut : None
2. Pins 2 and 3 omitted

Unless Otherwise Specified Dimensions are in Inches /mm ± .010 / .25