

Ethernet DC/DC Converter EPC1075P, EPC1075H & EPC1075C

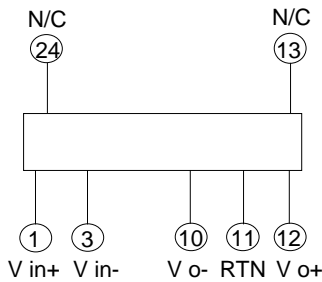
- Features**
- 70 % Typical efficiency at full load
 - Dual, Regulated Output
 - Input / Output Isolation
 - Input filter to reduce input ripple current
 - Designed for low common mode noise

Electrical Specifications

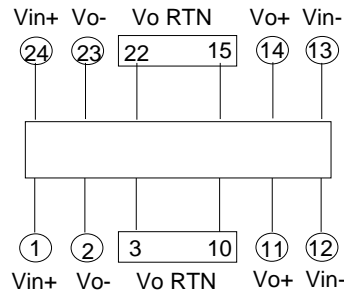
*Note : Package with G = Surface Mount Device

PCA P/N	Standard Package	Optional Packages	Input Voltage V	Output Voltage V	Output Current mA Max.	Output Ripple & Noise @ 20 MHz BW mV p-p	Isolation Vrms
EPC1075P	F5	E10, E10-G*, E13	5 ± 10%	±15 ± 5%	70 Max., each	100 Max.	500
EPC1075H	F5	E10-G*, E10	5 ± 10%	±15 ± 5%	70 Max., each	100 Max.	2000
EPC1075C	F5	E10-G*, E10	5 ± 10%	±15 ± 5%	70 Max., each	100 Max.	2600

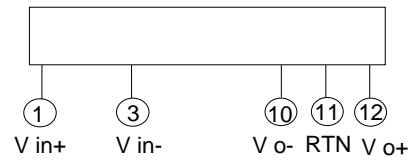
Pin Connections for E10



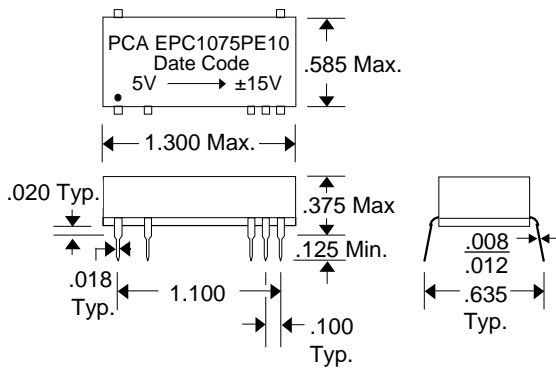
Pin Connections for E13



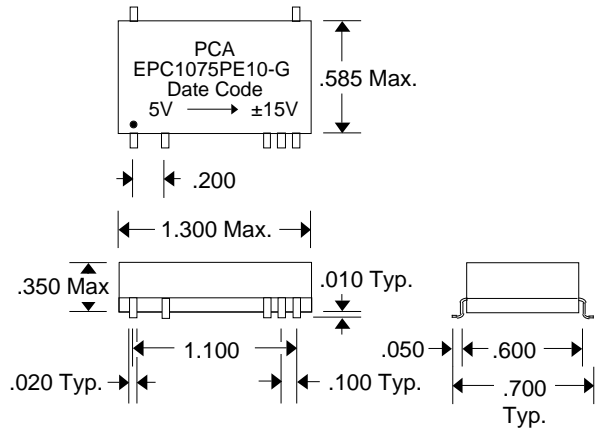
Pin Connections for F5



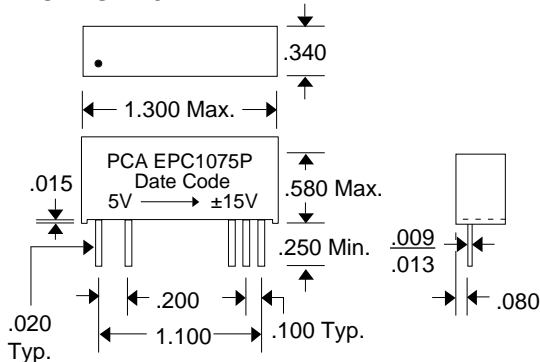
PACKAGE E10



PACKAGE E10-G



PACKAGE F5



PACKAGE E13

