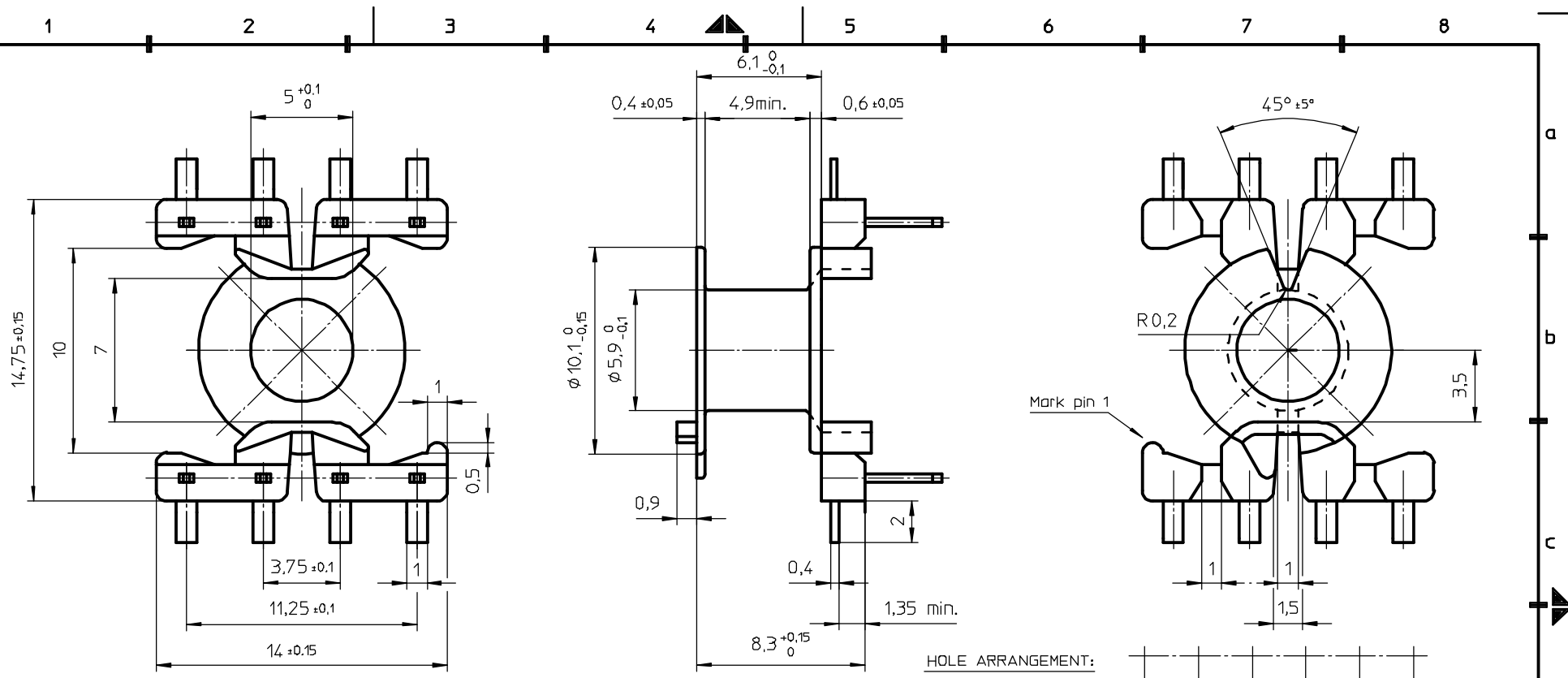




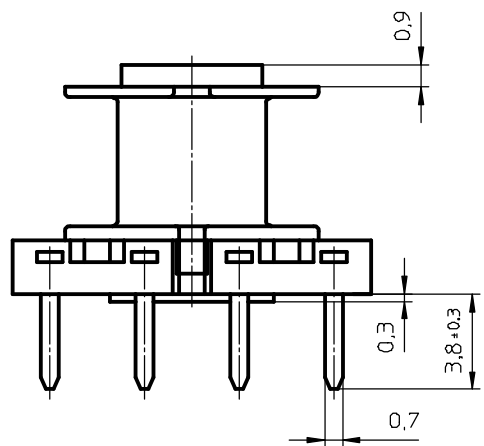
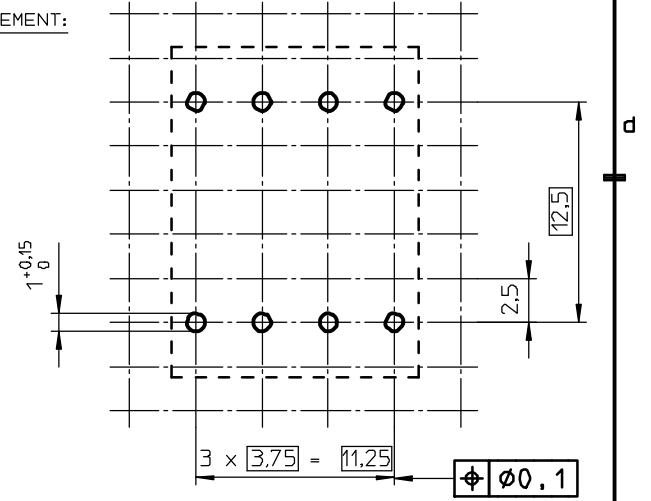
c



e



HOLE ARRANGEMENT:



Coil former material: Sumikasuper (LCP), glass-reinforced  
 UL file number: E54705 - UL94V-0.  
 Pin material: CuSn - Ni flash, Sn plated.  
 Max. operating temp.: 180°C.  
 Resistance to soldering heat: 350°C - 2sec.  
 Solderability: IEC 60068-2-20 Part 2, Test Ta, method 1.  
 Winding area: 9.8 mm<sup>2</sup>.  
 Mean length of turn: 24.9mm.

CLASS NO.		CPV-RM5-1S-8PD-Z		4322 021 06211		03-02-25	
NAME	M. Veekens	SUPERS		001	SP	112 - 001	069
MPA	CHECK	DATE	03-02-25	Property of		© FERROXCUBE 2000	
				Eigendom van		A3	