

Silicon PNP Power Transistors

2SB1436

DESCRIPTION

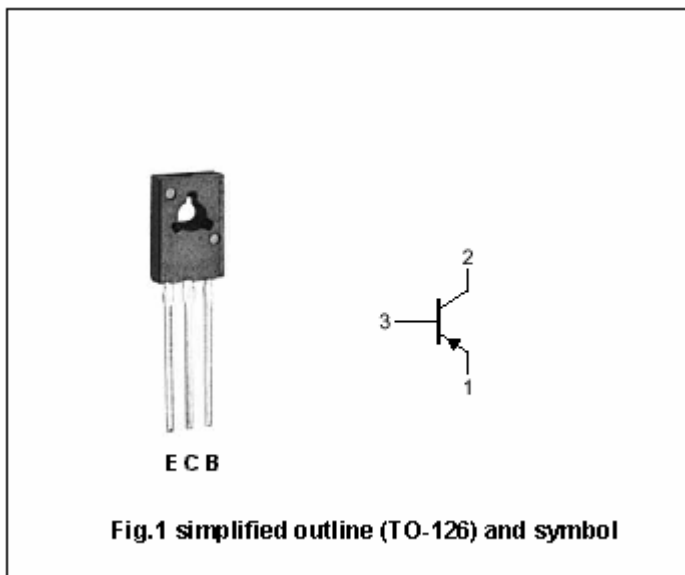
- With TO-126 package
- Complement to type 2SD2166
- Low collector saturation voltage

APPLICATIONS

- For audio power amplifier applications

PINNING

PIN	DESCRIPTION
1	Emitter
2	Collector;connected to mounting base
3	Base



Absolute maximum ratings(Ta=25°C)

SYMBOL	PARAMETER	CONDITIONS	VALUE	UNIT
V <sub>CBO</sub>	Collector-base voltage	Open emitter	-30	V
V <sub>CEO</sub>	Collector-emitter voltage	Open base	-20	V
V <sub>EBO</sub>	Emitter-base voltage	Open collector	-6	V
I <sub>C</sub>	Collector current (DC)		-5	A
I <sub>CM</sub>	Collector current-Peak		-10	A
P <sub>D</sub>	Total power dissipation	T <sub>a</sub> =25°C	1.5	W
		T <sub>C</sub> =25°C	5	
T <sub>j</sub>	Junction temperature		150	°C
T <sub>stg</sub>	Storage temperature		-55~150	°C

## Silicon PNP Power Transistors

## 2SB1436

## CHARACTERISTICS

T<sub>j</sub>=25 °C unless otherwise specified

SYMBOL	PARAMETER	CONDITIONS	MIN	TYP.	MAX	UNIT
V <sub>(BR)CBO</sub>	Collector-base breakdown voltage	I <sub>C</sub> =-50μA ; I <sub>E</sub> =0	-30			V
V <sub>(BR)CEO</sub>	Collector-emitter breakdown voltage	I <sub>C</sub> =-1mA ; I <sub>B</sub> =0	-20			V
V <sub>(BR)EBO</sub>	Emitter-base breakdown voltage	I <sub>E</sub> =-50μA ; I <sub>C</sub> =0	-6			V
V <sub>CEsat</sub>	Collector-emitter saturation voltage	I <sub>C</sub> =-4A ; I <sub>B</sub> =-0.1A			-1.0	V
I <sub>CBO</sub>	Collector cut-off current	V <sub>CB</sub> =-20V ; I <sub>E</sub> =0			-0.5	μA
I <sub>EBO</sub>	Emitter cut-off current	V <sub>EB</sub> =-5V ; I <sub>C</sub> =0			-0.5	μA
h <sub>FE</sub>	DC current gain	I <sub>C</sub> =-0.5A ; V <sub>CE</sub> =-2V	180		390	
f <sub>T</sub>	Transition frequency	I <sub>E</sub> =50mA ; V <sub>CE</sub> =-6V ; f=30MHz		120		MHz
C <sub>ob</sub>	Collector output capacitance	I <sub>E</sub> =0 ; V <sub>CB</sub> =-20V ; f=1MHz		60		pF

Silicon PNP Power Transistors

2SB1436

PACKAGE OUTLINE

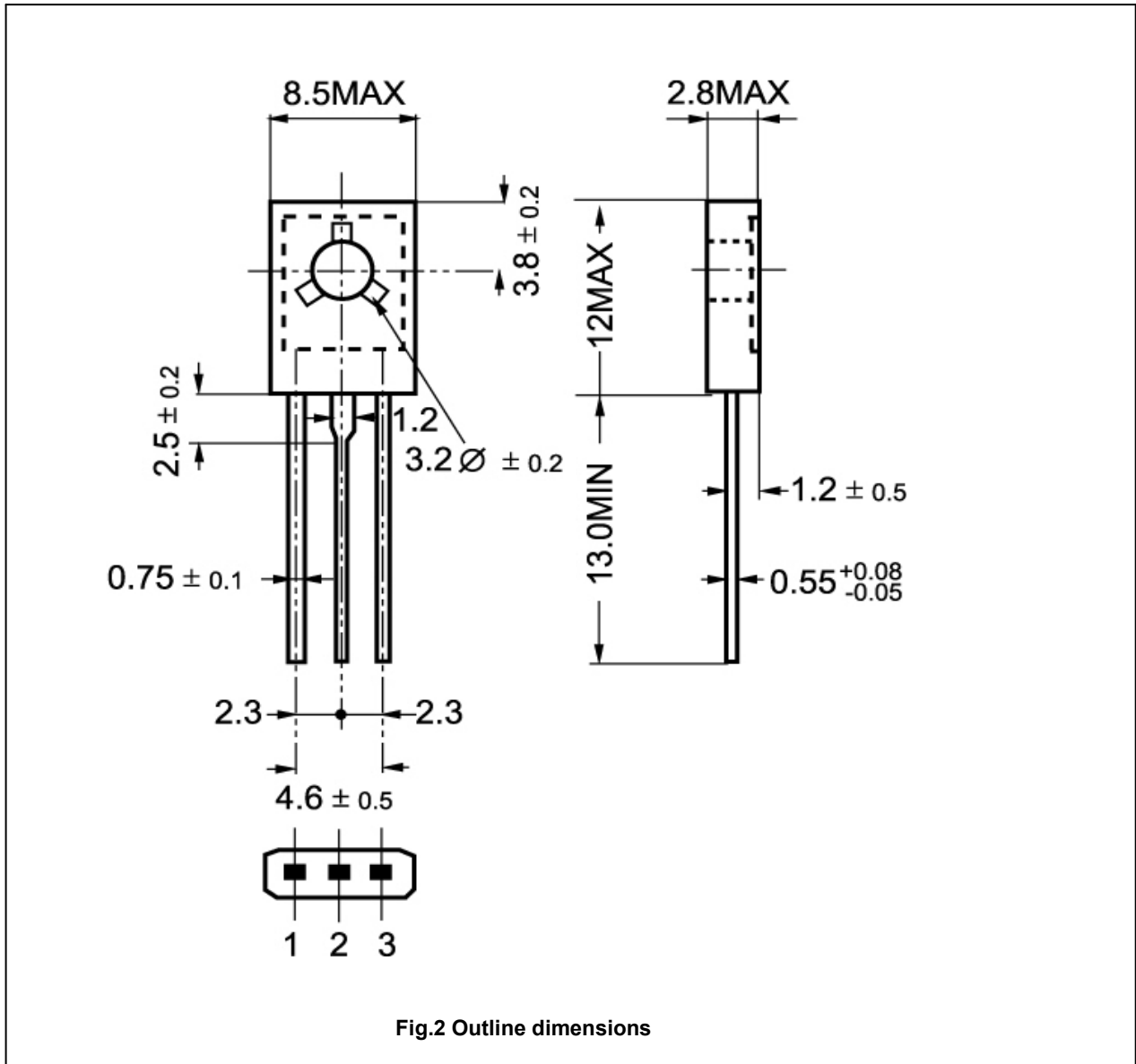


Fig.2 Outline dimensions