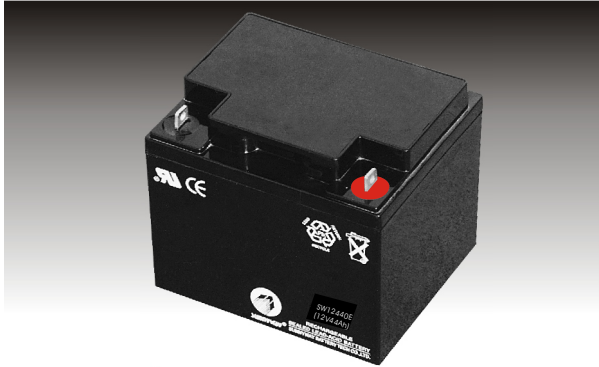




SW12440E(12V44AH)



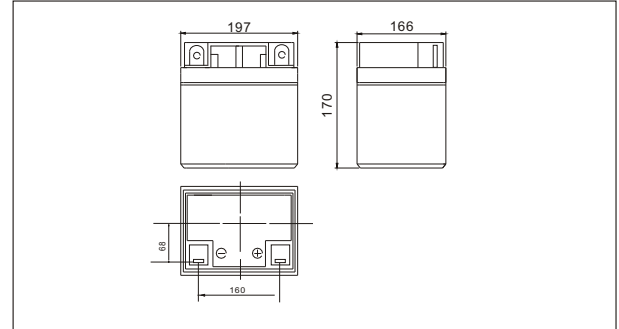
Specifications

Nominal Voltage		12V
Rated capacity (10hour rate)		44 Ah
Dimensions	Total Height	170 mm (6.73 inches)
	Height	170 mm (6.73 inches)
	Length	196 mm (7.70 inches)
	Width	166mm (6.54 inches)
Weight Approx		13.8 Kg (30.4 lbs)

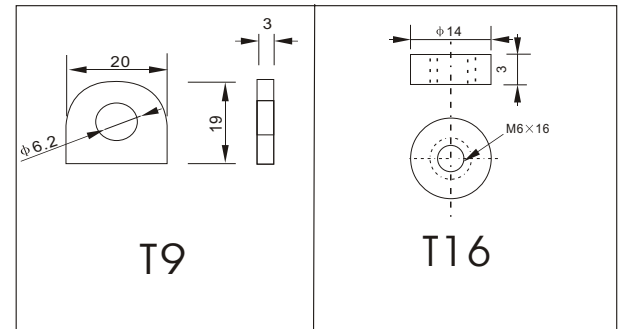
Characteristics

Capacity 25°C(77°F)	10 hour rate(4.4A)	44.0 AH
	5 hour rate(7.0A)	35.0 AH
	1 hour rate(24.2A)	24.2 AH
Internal Resistance	1.5 hour discharge to 10.5V	17.6 A
	Full charged Battery at 25°C(77°F)	8.0 mΩ
Capacity affected by Temperature (10hour rate)	40°C(104°F)	102%
	25°C(77°F)	100%
	0°C(32°F)	85%
	-15°C(5°F)	65%
Self-Discharge at 25°C(77°F)	Capacity after 3 month storage	91%
	Capacity after 6 month storage	82%
	Capacity after 12 month storage	64%
Terminal		T16 T9
Charge (constant Voltage)	Cycle	Initial Charging Current less than 11.0A Voltage 14.10-14.40V
	Float	Voltage 13.50-13.80V

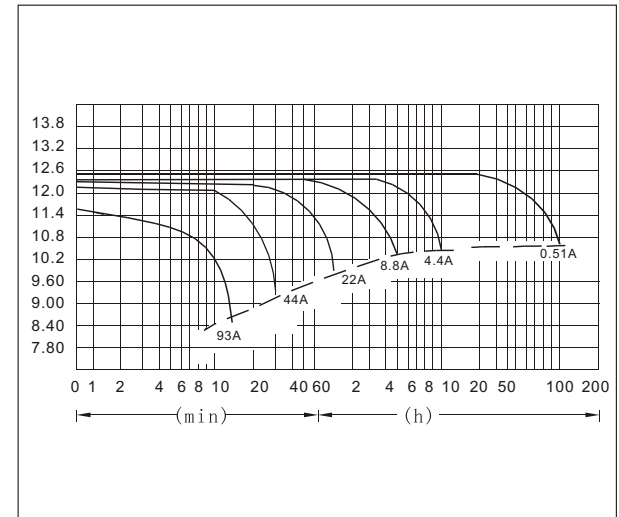
Outer dimensions (mm)



Terminal Type (mm)



Discharge Curves 25°C(77°F)



Constant Current(Amp) and Constant Power(Watt) Discharge Table at 25°C(77°F)

Time		10min	30min	1h	3h	4h	5h	8h	10h	20h	50h	100h
9.60V	A	93	50	26	11.3	8.8	7.3	5.1	4.6	2.49	1.04	0.53
	W	1031	537	306	131	102	84	59	53	28.9	12.4	6.3
10.20V	A	90	49	24.8	11.0	8.6	7.1	5.0	4.5	2.43	1.00	0.52
	W	992	532	287	127	99	83	58	52	28.2	11.9	6.2
10.50V	A	86	46	24	10.7	8.4	7.0	5.0	4.4	2.40	0.99	0.51
	W	961	502	278	124	98	82	58	52	27.8	11.7	6.0
10.80V	A	81	45	23	10.5	8.3	6.9	4.8	4.3	2.38	0.97	0.50
	W	924	484	266	122	96	80	56	51	27.7	11.5	6.0
11.10V	A	74	41	22	10.1	8.1	6.7	4.7	4.18	2.26	0.95	0.48
	W	908	480	259	120	95	80	56	50	26.9	11.3	5.8