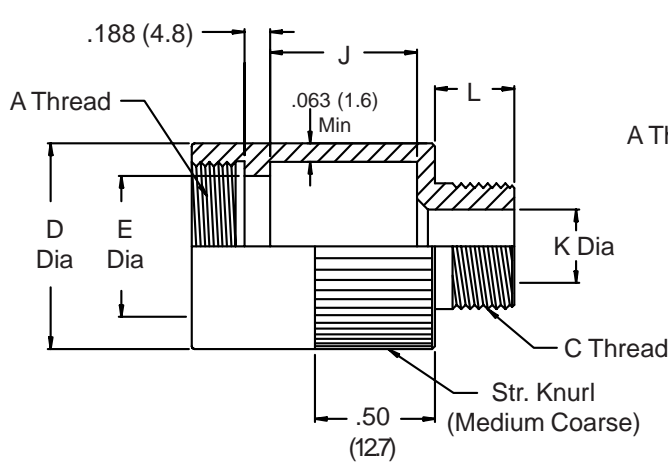
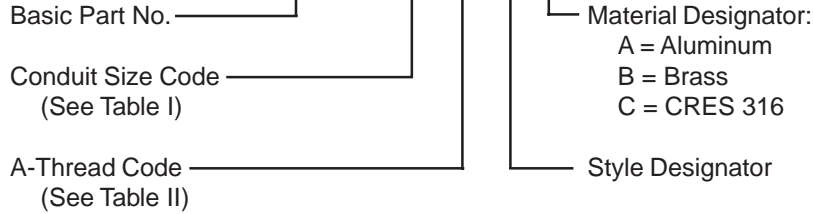


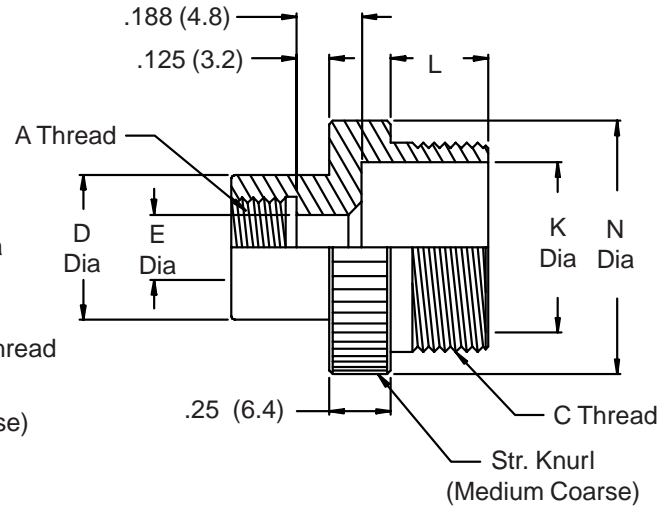
## M24758/12 Adapter for MIL-DTL-26482 Series I Connectors

### M24758/12-16-01-01-A



**STYLE 01**  
FOR USE WHEN E DIAMETER IS  
GREATER THAN K DIAMETER

**STYLE 02**  
SAME AS STYLE 01 EXCEPT  
J DIMENSION IS ZERO



**STYLE 03**  
FOR USE WHEN E DIAMETER IS  
EQUAL TO OR LESS THAN K DIAMETER

1. The M24758/12 adapter couples MIL-DTL-26482 Series I connectors (MS3110, MS3111, or MS3116 series) to M24758/2, M24758/3 or M24758/4 fittings.
2. For MIL-DTL-26482 series 2, the M24758/13 adapter may be used.
3. Metric dimensions (mm) are indicated in parentheses.
4. For complete dimensions see applicable Military Specification.

M24758/12 Adapter for  
MIL-DTL-26482 Series I Connectors



**TABLE I**

Conduit Size Code	C Thread (Class 2A)	L		K Dia Min.		N Dia	
		±.02	(.5)			±.02	(.5)
02	0.438 - 28 UNEF	.210	(5.3)	.250	(6.4)	.687	(17.4)
03	0.563 - 24 UNEF	.250	(6.4)	.370	(9.4)	.812	(20.6)
04	0.688 - 24 UNEF	.250	(6.4)	.500	(12.7)	.937	(23.8)
05	0.813 - 20 UNEF	.310	(7.9)	.620	(15.7)	1.062	(27.0)
06	0.938 - 20 UNEF	.310	(7.9)	.750	(19.1)	1.187	(30.1)
08	1.250 - 18 UNEF	.370	(9.4)	1.000	(25.4)	1.500	(38.1)
10	1.563 - 18 UNEF	.370	(9.4)	1.250	(31.8)	1.812	(46.0)
12	1.875 - 16 UN	.430	(10.9)	1.500	(38.1)	2.125	(54.0)
16	2.375 - 16 UN	.430	(10.9)	2.000	(50.8)	2.625	(66.7)
20	2.875 - 16 UN	.430	(10.9)	2.500	(63.5)	3.125	(79.4)
24	3.375 - 16 UN	.430	(10.9)	3.000	(76.2)	3.625	(92.1)

**TABLE II (A Thread Code and Adapter Dimensions)**

A Thread Code	Connector Shell Size	A Thread (Class 2B)	D Dia		E Dia		J Style 01	
			±.02	(.5)	±.02	(.5)	±.02	(.5)
07	08	0.438 - 28 UNEF	.590	(15.0)	.340	(8.6)	.870	(22.1)
09	10	0.563 - 24 UNEF	.710	(18.0)	.450	(11.4)	.870	(22.1)
11	12	0.688 - 24 UNEF	.840	(21.3)	.570	(14.5)	.870	(22.1)
13	14	0.813 - 20 UNEF	.960	(24.4)	.680	(17.3)	.870	(22.1)
15	16	0.938 - 20 UNEF	1.090	(27.7)	.810	(20.6)	.870	(22.1)
17	18	1.063 - 18 UNEF	1.210	(30.7)	.930	(23.6)	1.060	(26.9)
19	20	1.188 - 18 UNEF	1.340	(34.0)	1.060	(26.9)	1.180	(30.0)
21	22	1.313 - 18 UNEF	1.460	(37.1)	1.180	(30.0)	1.620	(41.1)
23	24	1.438 - 18 UNEF	1.590	(40.4)	1.310	(33.3)	1.680	(42.7)