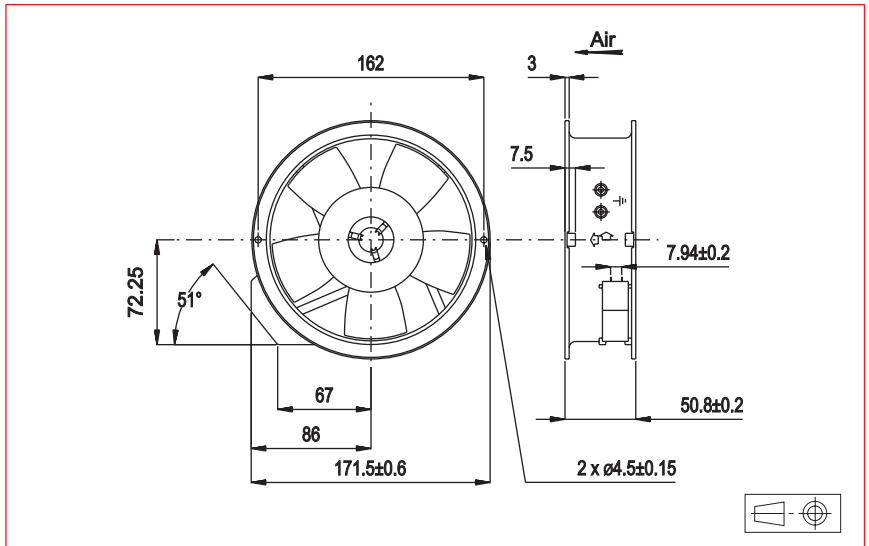


AC Axial Fans



#### Approvals



#### Life expectancy

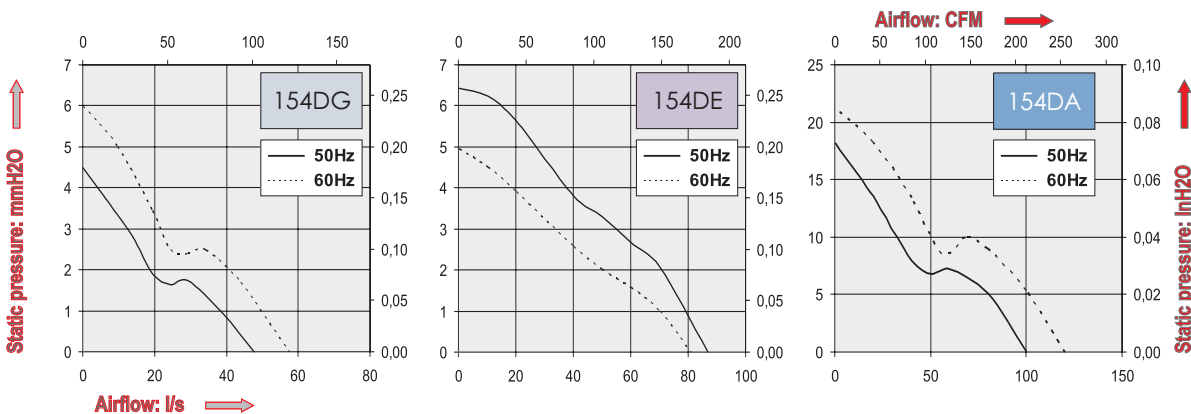
L-10 LIFE AT 40°C:  
80 000 hours

#### AC Motor

Electrical protection: thermally protected  
Housing material: aluminium  
Impeller material: plastic UL 94 VO  
Weight: 880 g  
Bearing system: ball bearings

#### Available with:

- Flying leads
- Speed sensor



Part Number	Nominal voltage	Airflow	Noise level	Nominal speed	Frequency	Phases	Capacitor	Input Power	Nominal current	Starting current	Connection type		Operating temperature	
	V										l/s	dB(A)	RPM	Hz
154DG0282000	115	49	29,5	1400	50	1		11	100	140		X	-10	70
		59	35	1700	60	1		11	90	140		X	-10	70
154DG081000	208-240	49	29,5	1400	50	1		13	60	80		X	-10	70
		59	35	1700	60	1		14	60	80		X	-10	70
154DE0282000	115	87	47	2500	50	1		11	105	140		X	-10	70
		81	45	2300	60	1		15	130	150		X	-10	70
154DE0281000	208-240	87	47	2500	50	1		12	60	75		X	-10	70
		81	45	2300	60	1		16	75	80		X	-10	70
154DA0282000	115	100	50,5	2850	50	1		30	310	610		X	-10	70
		120	55,5	3400	60	1		29	260	590		X	-10	70
154DA0281000	208-240	100	50,5	2850	50	1		33	200	390		X	-10	55
		120	55,5	3400	60	1		30	160	370		X	-10	55

#### Additional versions:

Salt spray protected - shock and vibration protected - marine specifications - wide temperature range  
IP54: consult factory

#### Accessories:

Refer to Accessories leaflet