

# DVS-5120

## Industrial Robust & Compact Desktop/ Wallmount PC based DVR with Front Accessible I/O



### Features

- Cost effective to advanced performance platform supports Intel Core™ 2 Duo/Pentium D/Pentium 4/Celeron D Processors
- Compact, robust and flexibility configure with Micro ATX Motherboard
- All I/O interfaces are located in the front to facilitate cable routing
- Shock-resistant drive bay configure to hold one 5.25" and two 3.5" drives (one external & one internal)
- Streamlined in-chassis airflow design
- Compatibility and certification test for various video capture card
- Supports 4/8/16 MPEG-4/H.264 video capture
- Built-in CD-ROM/RW or DVD-ROM/±RW and HDD
- PCIe x 16 slot for VGA card

### Introduction

The DVS-5120 industrial PC based DVR is specifically designed for factory floors and other harsh industrial environments. It is a wall-mountable/desktop unit that is ideal for system integrators or users who require a compact and rugged surveillance platform for industrial or specific applications. The DVS-5120 supports a wide range computing peripherals to be integrated with the chassis. Micro ATX motherboards with up to three add-on cards and one or more DIO modules may be installed in the DVS-5120. Unlike the classical industrial computer, DVS-5120 has an innovated appearance for industrial outlook chassis. It can be placed on the desk or mounted bi-directionally by the supplied brackets. It can be easily bottom or right mounted onto most surfaces, such as walls or workbenches. The shockproof disk drive housing design protects the system against harsh industrial environments or unexpected shock. The front access I/O interfaces and expansion slots make it much easier to operate and maintain while it is installed in the ATM, POS, Gaming and other applied machine. All these outstanding features make DVS-5120 the best solution for price, performance and total cost of ownership.

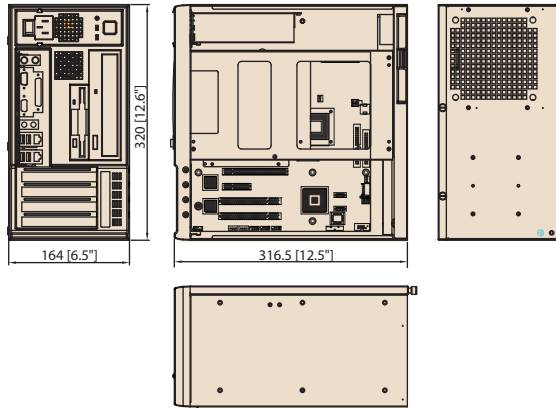
### Specification

Computing System	Chipset	Intel® 945G + ICH7	
	CPU* (configurable)	LGA775 Intel® Core™ 2 Duo/Pentium® D/Pentium® 4/Celeron® D	
	Front Side Bus	533/80/1066 MHz	
	L2 Cache	4 MB/2 MB (Core 2 Duo), 4 MB/2 MB (Pentium D), 2 MB/1 MB (Pentium 4), 512 KB/256 KB (Celeron D)	
	Memory* (configurable)	Support up to 4 GB Dual Channel 240-pin, DIMM x 4, DDR2 667/533 MHz	
Graphics	Controller	Intel® 82945G GMCH integrated Graphics Media Accelerator 950	
	VRAM	Intel DVMT 3.0 dynamically shared system memory up to 224 MB memory	
Expansion Slots	PCI	2 x 32-bit/33 MHz PCI	
	PCIe x 16	1 x 4.0 GB/s per direction	
	DIO	1 x DIO module	
Storage	Optical Drive* (configurable)	Supports CD-ROM/DVD-ROM/CD-RW/DVD±RW DL	
	Floppy Disk (configurable)	Supports 3.5" 1.44 MB FDD	
	Hard Disk Drive* (configurable)	3.5" SATA HDD	
Drive Bay	5.25" (front-accessible)	1	
	3.5" (front-accessible)	1	
	3.5" (internal)	1	
Ethernet	Interface	10/100/1000Base-T Gigabit Ethernet	
	Controller	G-LAN: Intel 82573L	
I/O Ports*	Front I/O Ports	1 x VGA, 1x RJ45 with LED connector, 1 x COM, 4 x USB2.0, 1 x Parallel (SPP/EPP/ECP), 1 x PS/2 Keyboard, 1 x PS/2 Mouse, 3 x Audio I/O (MIC-In, Line-In, Line-Out)	
Power Supply	Power Output Wattage	300 W	
	Type	Single ATX power supply	
Cooling	Chassis Fan	1 (85 CFM) + 1 (10 CFM)	
	Air Filters	1 (133 x 112 mm)	
Environment	Temperature	Operating	Non-Operating
		0 ~ 40° C (32 ~ 104° F)	-20 ~ 60° C (-4 ~ 140° F)
	Humidity	10 ~ 85% @ 40° C non-condensing 10 ~ 95% @ 40° C non-condensing	
Physical Characteristics	Color	Black	
	Dimensions (W x H x D)	320 x 164 x 307 mm (12.6" x 6.5" x 12.1")	
	Weight	8.3 kg (18.3 lb)	
Operating System*	Microsoft® Window® XP/2000/XP Embedded		

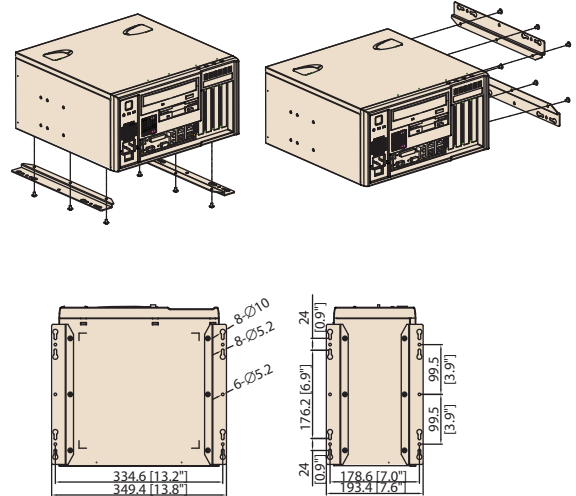
\* Configurations are variable upon regions. Please contact Advantech sales force or refer CTOS DVR Platform for more details

## Dimension

Unit: mm (inch)



## Installation



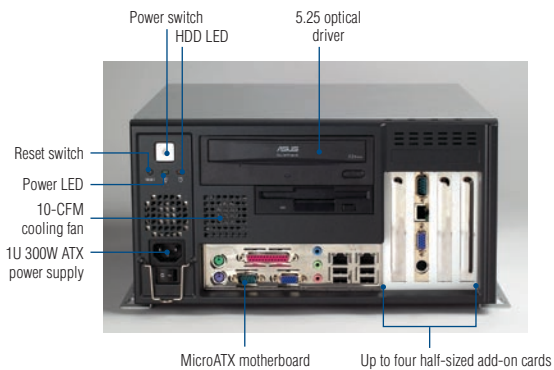
## Configure to Order Services

Please visit Advantech CTOS portal for order entry  
<http://www.advantech.com.tw/CTOS>

## System Content

Item	Description
Chassis	Wallmount solution
Motherboard	Intel 945G Micro ATX Main board
Power system	300 W ATX
CPU Cooler	Suitable 95 W LGA775 UP to Intel Core 2 Duo 2.4 GHz thermal design

## Front View



The front view of DVS-5120

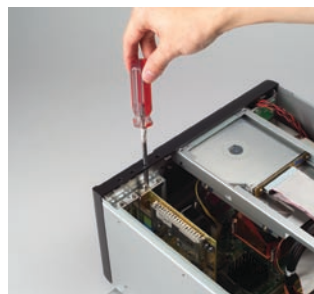
## Inside View



Plug ring-lock securely fastens the power cord



Solid disk drive housing & easy-to-maintain fan filter



User-friendly mechanical desing for installing an add-on card



Shock-resistant drive bay for holding an internal 3.5" HDD

## Optional Certificate Video Capture Card and DIO module

Part Number	Description
DVP-7010BE	4 CH D1 @ 30 fps PCI MPEG4 Software Encode Video Capture Card with SDK
DVP-7020BE	4 CH D1 @ 120 fps PCI MPEG4 Software Encode Video Capture Card with SDK
DVP-7421BE	4 CH D1 @ 120 fps PCI MPEG1/2/4 Hardware Codec Video/Audio Capture Card with SDK
960T-DS-4004HCI	4 CH 2CIF @ 120 fps/D1 @ 60 fps PCI H.264 Hardware Encode Video/Audio Capture Card with SDK
960T-DS-4008HCI	8 CH 2CIF @ 240 fps/D1 @ 120 fps PCI H.264 Hardware Encode Video/Audio Capture Card with SDK
9692080400E	4 x DO + 4 x DI module for DVP-7010BE, DVP-7020BE and DVP-7421BE
9698080500E	8 x DI module for DVP-7010BE, DVP-7020BE

## Ordering Information

Model Name	Description	Configuration	Key Parts (default configurable)
DVS-5120-945G-4SB1	4 CH D1 @ 30 fps MPEG4 S/W Encode DVR Platform with SDK	DVS-5120-945G 1 x DVP-7010BE	1 x 3.0 GHz Pentium 4 2 x 512 DDR2 RAM 1 x 500 GB SATA HDD
DVS-5120-945G-8SB1	8 CH D1 @ 60 fps MPEG4 S/W Encode DVR Platform with SDK	DVS-5120-945G 2 x DVP-7010BE	
DVS-5120-945G-4SB	4 CH D1 @ 120 fps MPEG4 S/W Encode DVR Platform with SDK	DVS-5120-945G 1 x DVP-7020BE	
DVS-5120-945G-4H	4 CH D1 @ 120 fps MPEG4 H/W Video/Audio Codec DVR platform with SDK	DVS-5120-945G 1 x 7421BE	
DVS-5120-945G-8H	8 CH D1 @ 240 fps MPEG4 H/W Video/Audio Codec DVR platform with SDK	DVS-5120-945G 2 x 7421BE	
DVS-5120-945G-4HK	4 CH 2CIF @ 120 fps/D1 @ 60 fps H.264 H/W Video/Audio Encode DVR Platform with SDK	DVS-5120-945G 1 x 960T-DS-4004HCI	
DVS-5120-945G-8HK	8 CH 2CIF @ 240 fps/D1 @ 120 fps H.264 H/W Video/Audio Encode DVR Platform with SDK	DVS-5120-945G 1 x 960T-DS-4008HCI	
DVS-5120-945G-16HK	16 CH 2CIF @ 480 fps/D 1 @ 240 fps H.264 H/W Video/Audio Encode DVR Platform with SDK	DVS-5120-945G 1 x 960T-DS-4008HCI	