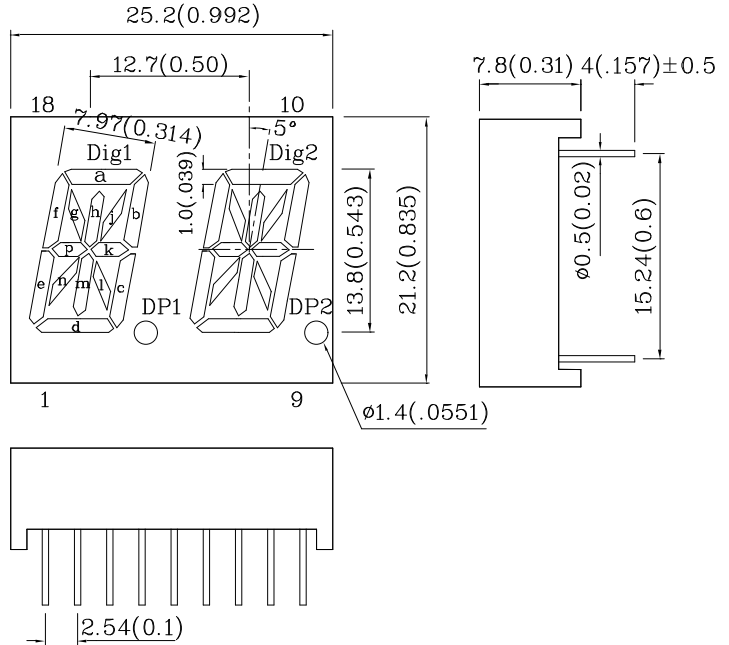
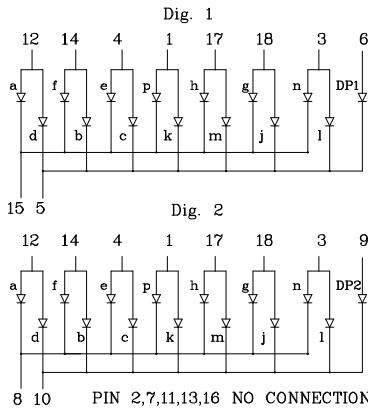


Features

- 0.54 INCH CHARACTER HEIGHT.
- LOW CURRENT OPERATION.
- HIGH CONTRAST AND LIGHT OUTPUT.
- EASY MOUNTING ON P.C. BOARDS OR SOCKETS.
- CATEGORIZED FOR LUMINOUS INTENSITY.
- MECHANICALLY RUGGED.
- STANDARD: GRAY FACE, WHITE SEGMENT.
- RoHS COMPLIANT.



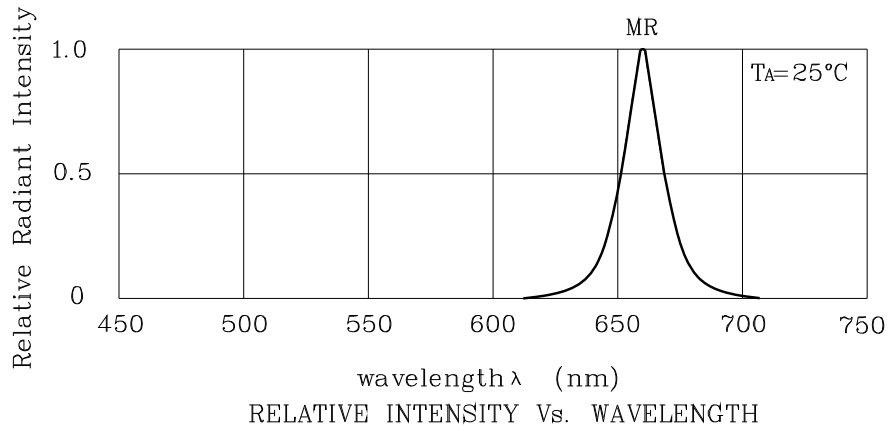
Notes:

1. All dimensions are in millimeters (inches).
2. Tolerance is $\pm 0.25(0.01)$ unless otherwise noted.
3. Specifications are subject to change without notice.

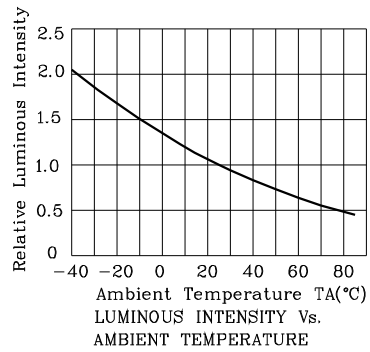
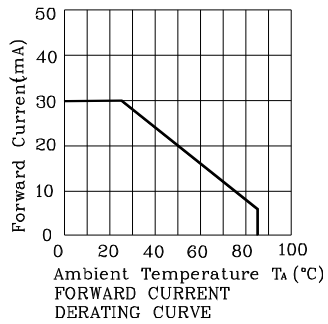
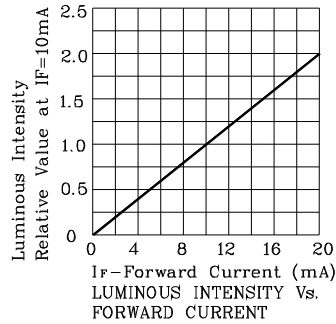
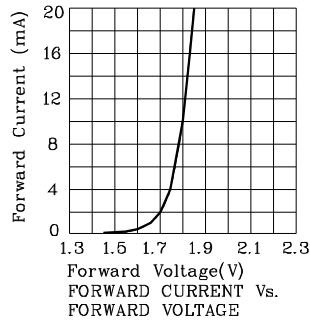
| Absolute Maximum Ratings (TA=25°C) | | MR (GaAlAs) | Unit |
|---|------------------------|----------------|------|
| Reverse Voltage Per Segment or (DP) | V _R | 5 | V |
| Forward Current Per Segment or (DP) | I _F | 30 | mA |
| Forward Current (Peak) Per Segment or (DP) 1/10 Duty Cycle 0.1ms Pulse Width | i _{FS} | 155 | mA |
| Power Dissipation Per Segment or (DP) | P _T | 75 | mW |
| Operating Temperature | T _A | -40 ~ +85 | °C |
| Storage Temperature | T _{stg} | -40 ~ +85 | |
| Lead Solder Temperature [2mm Below Package Base] | 260°C For 3 -5 Seconds | | |

| Operating Characteristics (TA=25°C) | | MR (GaAlAs) | Unit |
|--|----------------|----------------|------|
| Forward Voltage (Typ.) Per Segment or (DP) (I _F =10mA) | V _F | 1.8 | V |
| Forward Voltage (Max.) Per Segment or (DP) (I _F =10mA) | V _F | 2.5 | V |
| Reverse Current (Max.) Per Segment or (DP) (V _R =5V) | I _R | 10 | uA |
| Wavelength of Peak Emission (Typ.) (I _F =10mA) | λ _P | 660 | nm |
| Wavelength of Dominant Emission (Typ.) (I _F =10mA) | λ _D | 640 | nm |
| Spectral Line Full Width At Half-Maximum (Typ.) (I _F =10mA) | Δλ | 20 | nm |
| Capacitance (Typ.) (V _F =0V, f=1MHz) | C | 45 | pF |

| Part Number | Emitting Color | Emitting Material | Luminous Intensity (I _F =10mA) ucd | | Wavelength nm λ _P | Description |
|----------------|-------------------|----------------------|--|-------|------------------------------------|----------------------------------|
| | | | min. | typ. | | |
| AMR14C2-A | Red | GaAlAs | 4700 | 17990 | 660 | Common Cathode. Rt. Hand Decimal |

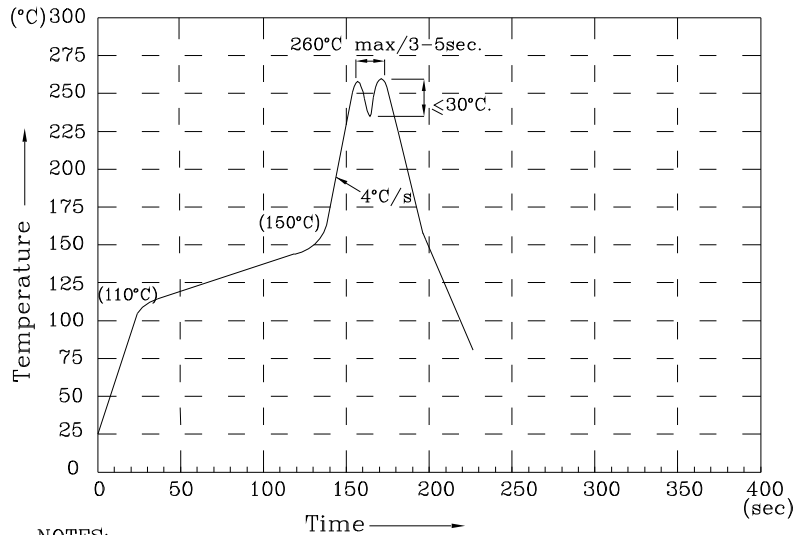


❖ MR



AMR14C2-A

Wave Soldering Profile For Lead-free Through-hole LED.



NOTES:

1. Recommend the wave temperature 245°C~260°C. The maximum soldering temperature should be less than 260°C.
2. Do not apply stress on epoxy resins when temperature is over 85 degree°C.
3. The soldering profile apply to the lead free soldering (Sn/Cu/Ag alloy).
4. No more than once.

Remarks:

If special sorting is required (e.g. binning based on forward voltage, Luminous intensity / luminous flux, or wavelength), the typical accuracy of the sorting process is as follows:

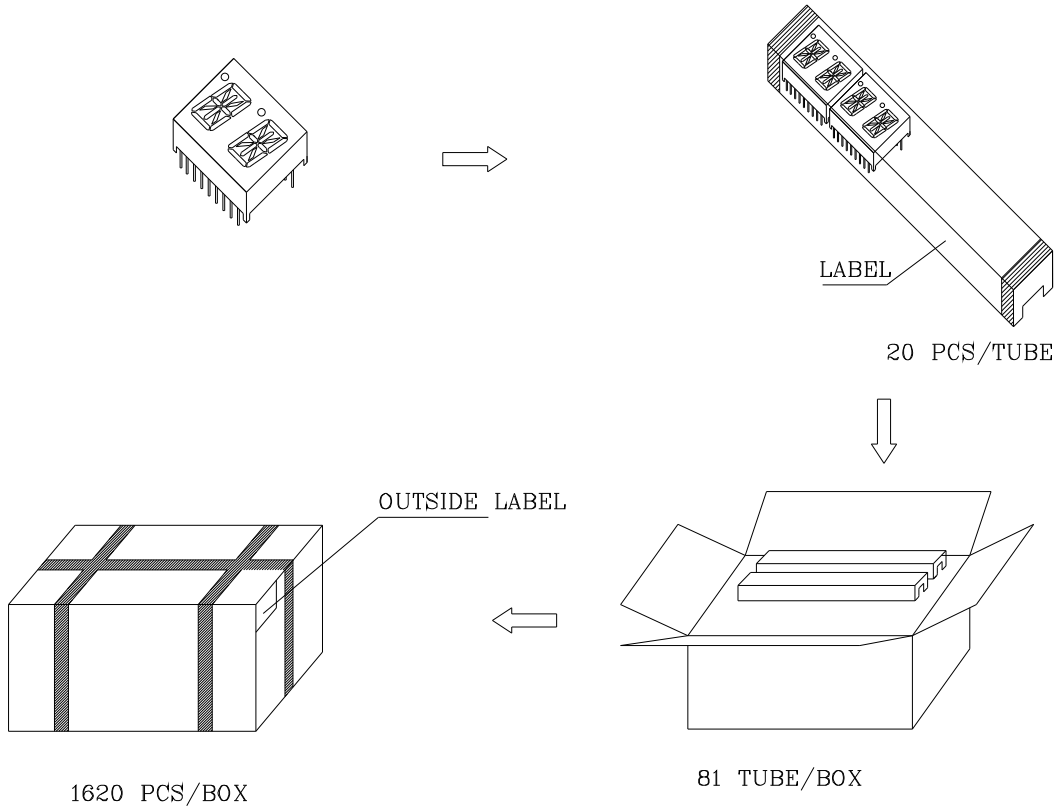
1. Wavelength: +/-1nm
2. Luminous intensity / luminous flux: +/-15%
3. Forward Voltage: +/-0.1V

Note: Accuracy may depend on the sorting parameters.

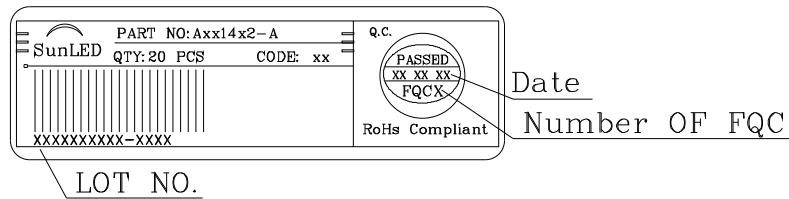


PACKING & LABEL SPECIFICATIONS

AMR14C2-A



Inside LABEL Paste On The IC-tube



Outside LABEL Paste On The Box

