

| PART NO. | MATERIAL | COLOR | ADHESIVE |
|-----------|--------------------|---------|------------------------------------|
| FTH-8-01 | NYLON 6/6 (RMS-01) | NATURAL | NONE |
| FTH-8A-RT | | | ACRYLIC TAPE (RMS-15), WHITE LINER |

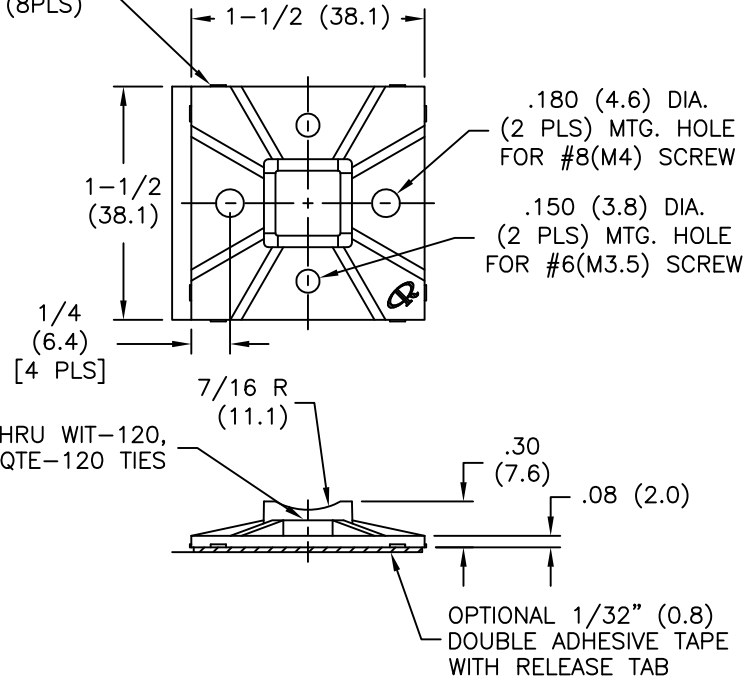
NOTES:

1. NYLON 6/6 (RMS-01),
 COLOR: NATURAL,
 RUBBER ADHESIVE TAPE (RMS-102), BLUE LINER,
 AVAILABLE BY SPECIAL ORDER ONLY;
 TO ORDER USE P/N FTH-8A1-RT.

FLAME RETARDANT NYLON (RMS-19),
 COLOR: NATURAL,
 ACRYLIC ADHESIVE TAPE (RMS-15), WHITE LINER,
 AVAILABLE BY SPECIAL ORDER ONLY;
 TO ORDER USE P/N FTH-8A-RT-19
 OR FTH-8-19 (WITHOUT TAPE).

UV STABILIZED NYLON (RMS-46),
 COLOR: BLACK,
 ACRYLIC ADHESIVE TAPE (RMS-15), WHITE LINER,
 AVAILABLE BY SPECIAL ORDER ONLY;
 TO ORDER USE P/N FTH-8A-RT-UVB
 OR FTH-8-UVB (WITHOUT TAPE).

THESE BUMPS MAY NOT
 APPEAR ON PART (8PLS)



ACCOMMODATES WIT-18 THRU WIT-120,
 AND QTE-18 THRU QTE-120 TIES

| TITLE: FLAT TIE HOLDER | | | DWG IN IN (MM) | | FINAL | | PRINT TYPE | | |
|------------------------|-------------------------------------|---------------|-------------------------|--------------|--|----------|------------|--------|------------|
| F | SEE CO 200248 FOR CHANGES | SK 10.30.08 | FILE # | FTH-8 | DWN: | P.B. | APP: | PART # | PRINT TYPE |
| E | SEE ECN #1124 FOR CHANGES | SK 01.24.06 | MAT'L: | SEE NOTES | DT: | 06-29-94 | DT: | | |
| D | COMPLETELY RE-DRAWN & CHANGED FILE# | SM 10.18.01 | RE: | RICHCO, INC. | RICHCO INC. PO BOX 804238, CHICAGO, 60680 (773) 539-4060 | | | | |
| C | ADDED (RMS102) BY SPECIAL ORDER | J.L. 08.22.00 | TOLERANCES UNLESS NOTED | | | | | | |
| B | MAT'L NOTES UPDATED | J.L. 01.10.00 | .XX=±.010 | | | | | | |
| A | PART NO.'S REVERSED IN TABLE | MO 2/23/98 | .XXX=±.005 | | | | | | |
| REV | DESCRIPTION | ENGR DATE | FRAC=±1/64 | | | | | | |
| | | | ANG=±1' | | | | | | |