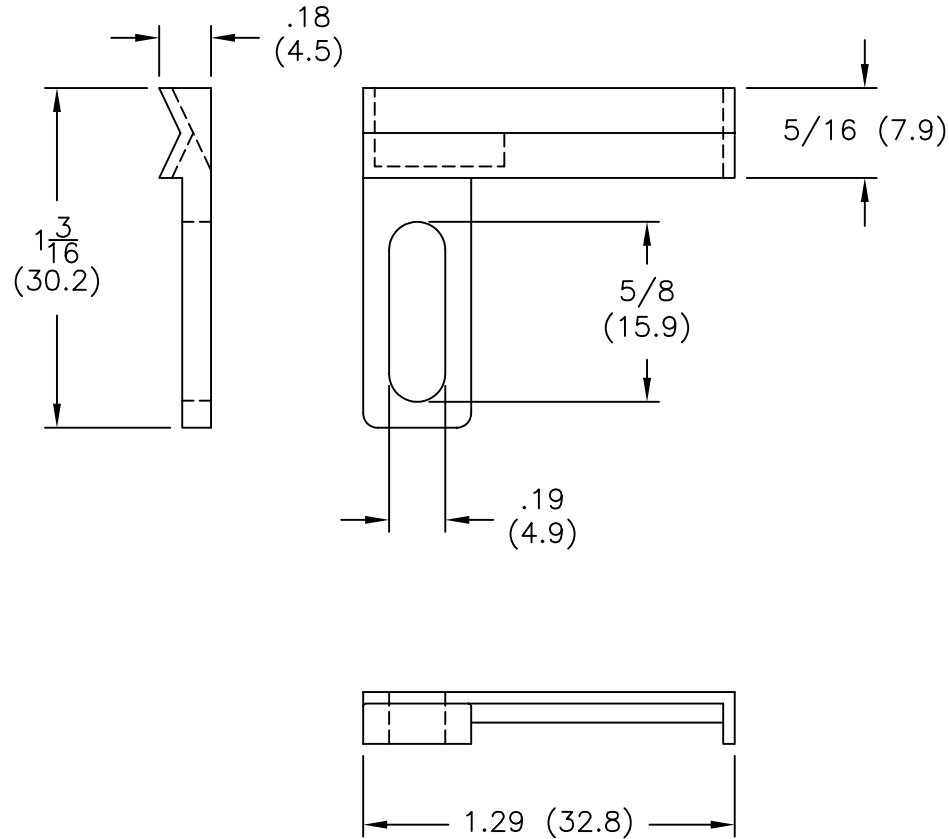


# AVAILABLE BY SPECIAL ORDER ONLY



**NOTES:**

1. MATERIAL: NYLON 6/6 (RMS-01),  
FLAME RETARDANT, NYLON (RMS-19),  
AVAILABLE BY SPEICAL ORDER ONLY.
2. COLOR: NATURAL.

<table border="1"> <tr> <td>D</td> <td>SEE ECN #1117 FPR CHANGES</td> <td>SK 01.05.06</td> </tr> <tr> <td>C</td> <td>CHANGED FILE NO.</td> <td>SM 05.17.02</td> </tr> <tr> <td>B</td> <td>ALL VIEWS AND DIMS UPDATED</td> <td>J.L. 1.07.00</td> </tr> <tr> <td>A</td> <td>DIM "7/8" WAS "7/16"</td> <td>J.L. 1.19.99</td> </tr> <tr> <td>REV</td> <td>DESCRIPTION</td> <td>ENGR DATE</td> </tr> </table>			D	SEE ECN #1117 FPR CHANGES	SK 01.05.06	C	CHANGED FILE NO.	SM 05.17.02	B	ALL VIEWS AND DIMS UPDATED	J.L. 1.07.00	A	DIM "7/8" WAS "7/16"	J.L. 1.19.99	REV	DESCRIPTION	ENGR DATE	<table border="1"> <tr> <td colspan="4"> <b>TOLERANCES UNLESS NOTED</b>                  .XX=±.010                  .XXX=±.005                  FRAC=±1/64                  ANG=±1°             </td> </tr> <tr> <td>FILE #</td> <td>FTH-12</td> <td>DWN:</td> <td>J.B.</td> </tr> <tr> <td>MAT'L:</td> <td>SEE NOTES</td> <td>DT:</td> <td>01-04-96</td> </tr> <tr> <td>RE:</td> <td>RICHCO, INC.</td> <td>DT:</td> <td></td> </tr> <tr> <td colspan="2"></td> <td colspan="2">                 RICHCO INC.                  PO BOX 804238, CHICAGO, 60680                  (773) 539-4060             </td> </tr> </table>				<b>TOLERANCES UNLESS NOTED</b> .XX=±.010 .XXX=±.005 FRAC=±1/64 ANG=±1°				FILE #	FTH-12	DWN:	J.B.	MAT'L:	SEE NOTES	DT:	01-04-96	RE:	RICHCO, INC.	DT:				RICHCO INC. PO BOX 804238, CHICAGO, 60680 (773) 539-4060		<table border="1"> <tr> <td> </td> <td> </td> <td>                 DWG IN                  IN (MM)             </td> <td> </td> </tr> <tr> <td colspan="4">FINAL</td> </tr> </table>				DWG IN IN (MM)		FINAL				<table border="1"> <tr> <td>PART #</td> <td>FTH-12-01</td> </tr> <tr> <td>PRINT TYPE</td> <td>CA</td> </tr> </table>		PART #	FTH-12-01	PRINT TYPE	CA
D	SEE ECN #1117 FPR CHANGES	SK 01.05.06																																																							
C	CHANGED FILE NO.	SM 05.17.02																																																							
B	ALL VIEWS AND DIMS UPDATED	J.L. 1.07.00																																																							
A	DIM "7/8" WAS "7/16"	J.L. 1.19.99																																																							
REV	DESCRIPTION	ENGR DATE																																																							
<b>TOLERANCES UNLESS NOTED</b> .XX=±.010 .XXX=±.005 FRAC=±1/64 ANG=±1°																																																									
FILE #	FTH-12	DWN:	J.B.																																																						
MAT'L:	SEE NOTES	DT:	01-04-96																																																						
RE:	RICHCO, INC.	DT:																																																							
		RICHCO INC. PO BOX 804238, CHICAGO, 60680 (773) 539-4060																																																							
		DWG IN IN (MM)																																																							
FINAL																																																									
PART #	FTH-12-01																																																								
PRINT TYPE	CA																																																								
TITLE: <b>FLAT TIE HOLDER</b>																																																									