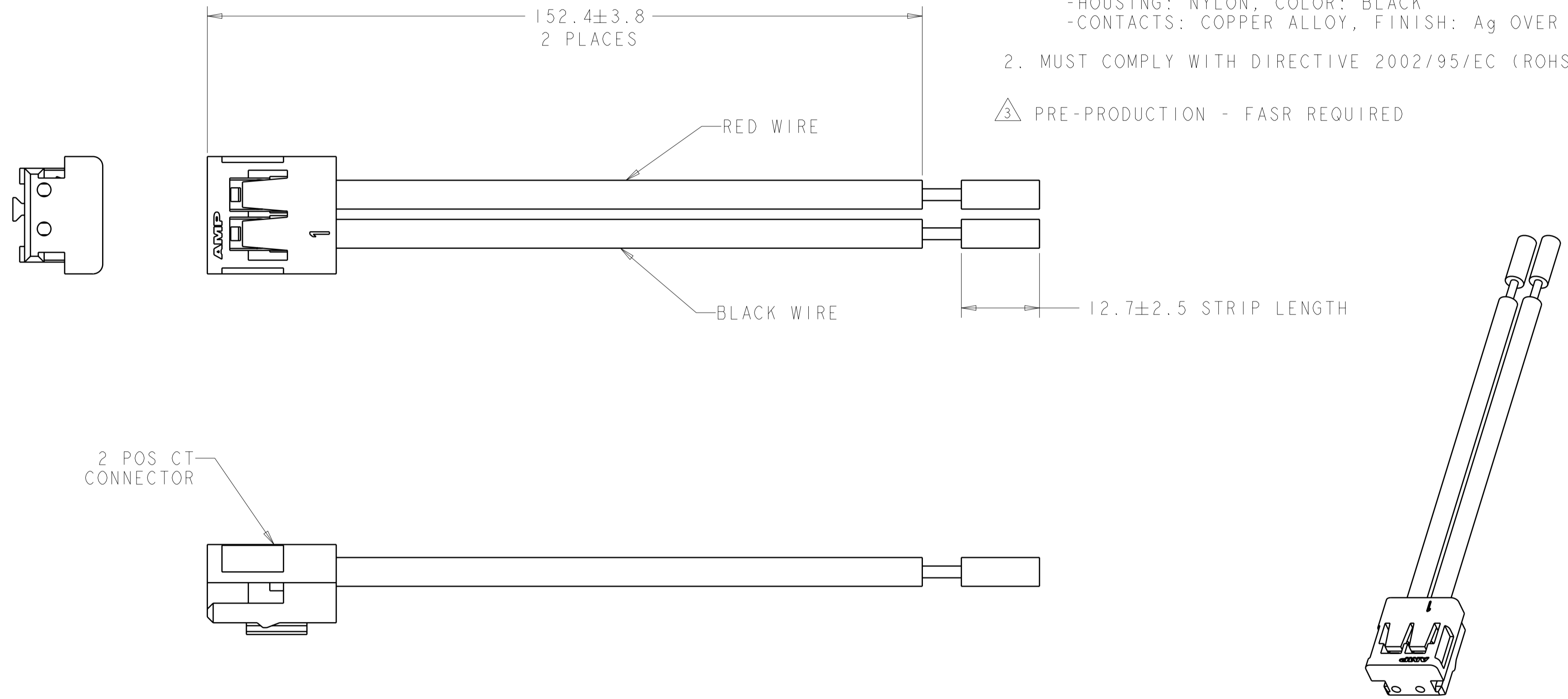


THIS DRAWING IS UNPUBLISHED. RELEASED FOR PUBLICATION 20
 © COPYRIGHT 20 BY TYCO ELECTRONICS CORPORATION. ALL RIGHTS RESERVED.

REVISIONS					
P	LTR	DESCRIPTION	DATE	DWN	APVD
A		REVISED PER ECR-09-011291	21MAY2009	HMR	DD

NOTES:

- ① MATERIALS AND FINISH:
 -HOUSING: NYLON, COLOR: BLACK
 -CONTACTS: COPPER ALLOY, FINISH: Ag OVER Sn
- 2. MUST COMPLY WITH DIRECTIVE 2002/95/EC (ROHS)
- ③ PRE-PRODUCTION - FASR REQUIRED



③ 2058077-1
PART NO.

THIS DRAWING IS A CONTROLLED DOCUMENT FOR TYCO ELECTRONICS CORPORATION IT IS SUBJECT TO CHANGE AND THE CONTROLLING ENGINEERING ORGANIZATION SHOULD BE CONTACTED FOR THE LATEST REVISION.		DWN S. FISHER 28FEB2008	Tyco Electronics Harrisburg, PA 17105-3608	
DIMENSIONS: mm		CHK C. GINGRICH 28FEB2008	NAME CABLE ASSEMBLY CT 2 POSITION	
TOLERANCES UNLESS OTHERWISE SPECIFIED: 0 PLC ± 1 PLC ± 2 PLC ± 3 PLC ± 4 PLC ± ANGLES ± FINISH		APVD -	PRODUCT SPEC -	RESTRICTED TO -
MATERIAL		APPLICATION SPEC 114-5179	SIZE A200779	DRAWING NO C-2058077
①		WEIGHT -	SCALE NTS	SHEET 1 OF 1
		CUSTOMER DRAWING	REV A	