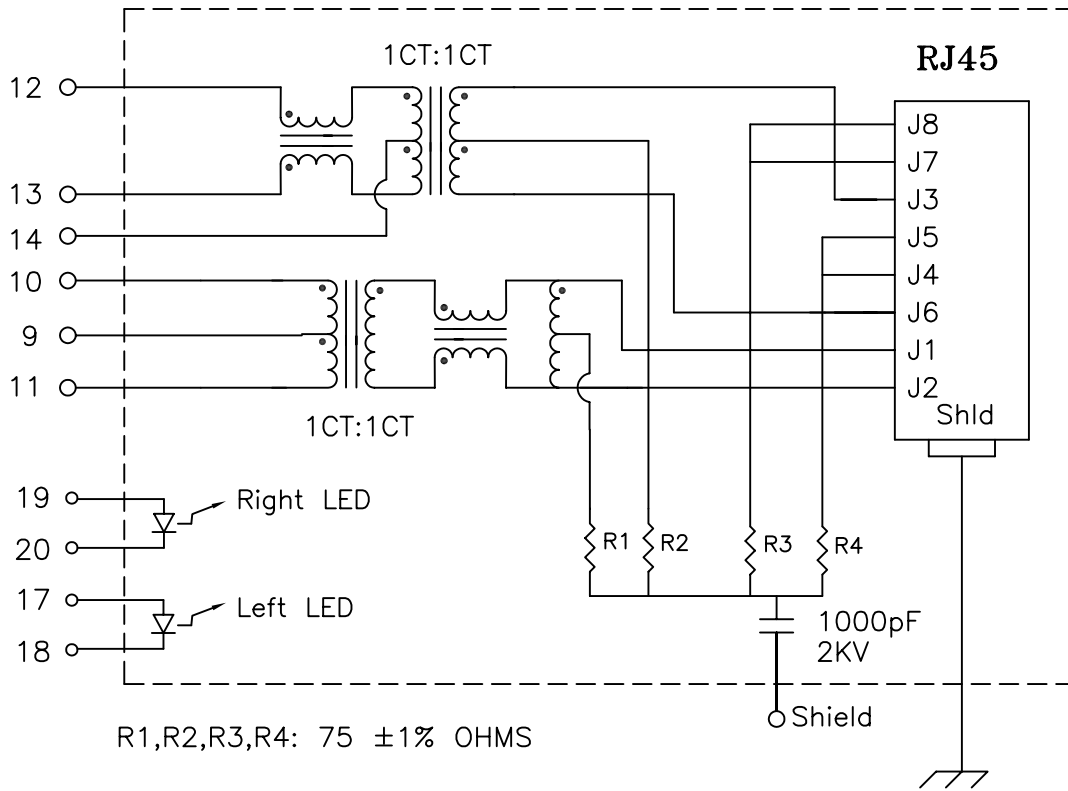


**1. Schematic:**



**2. Electrical Specifications: @25°C**

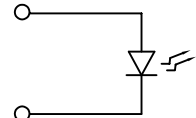
- Isolation Voltage: 1500 Vrms (Input to Output)
- Isolation Voltage: 500 Vrms (P1+2+3 to P4+5+6)
- Turns Ratio: TX 1CT:1CT ±3% RX 1CT:1CT ±3%
- CABLE SIDE OCL: 350uH Minimum @100KHz 100mV 8mADC
- Cw/w: 27pF Typical @100KHz 100mV
- Insertion Loss (300KHz-100MHz): -1.0dB Minimum
- Return Loss: @30MHz -18dB Minimum  
@80MHz -12dB Minimum

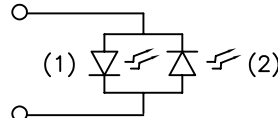
Complete the Combo P/N as follows:

Replace 'x' & 'u' in the part number with one of the LED color letters:

Y=Yellow  
G=Green  
A=Amber  
R=Red  
C=Green(1)/Amber(2) Bicolor  
D=Amber(1)/Green(2) Bicolor  
M=Green(1)/Yellow(2) Bicolor  
N=Yellow(1)/Green(2) Bicolor  
P=Red(1)/Green(2) Bicolor  
Q=Green(1)/Red(2) Bicolor

'x' = Left LED Color  
'u' = Right LED Color

Single Color LED: 

Bi-Color LED: 

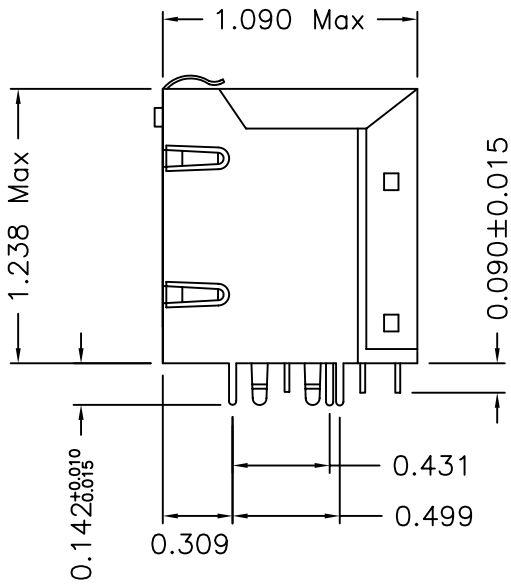
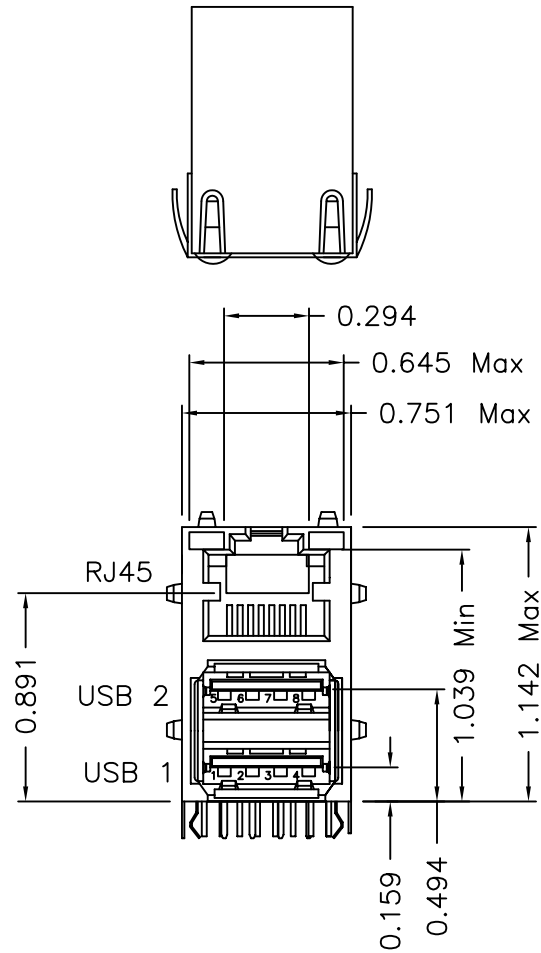
**Notes:**

1. Solderability: Leads shall meet MIL-STD-202, Method 208D for solderability.
2. Flammability: UL94V-0
3. ASTM oxygen index: > 28%
4. Insulation System: Class F 155°C. UL file E151556
5. Operating Temperature Range: -20°C to +85°C

DOC REV: A/3

<b>XFMRs Inc.</b>	Title: <b>STACKED USB COMBO</b>		
	UNLESS OTHERWISE SPECIFIED TOLERANCES: .xxx ±0.010 Dimensions in Inch		P/N: XFATM9L-USBxu-4
SHEET 1 OF 3	DWN.	李小锋	May-02-03
	CHK.	廖玉坤	May-02-03
	APP.	Isaiah M	May-02-03

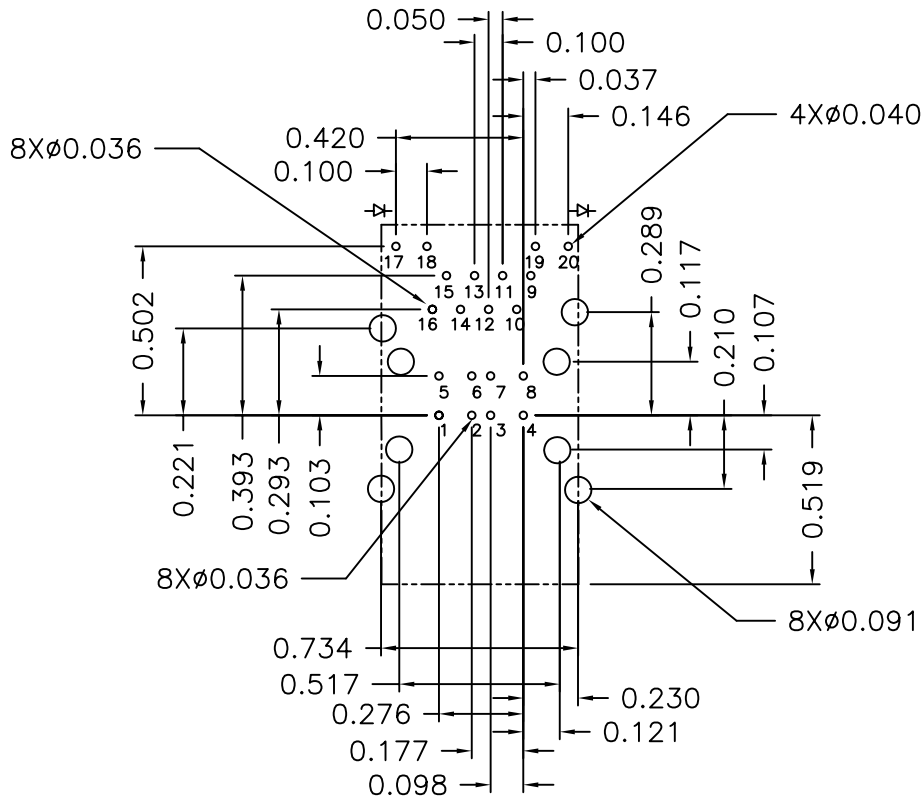
### 3. Mechanical Dimensions:



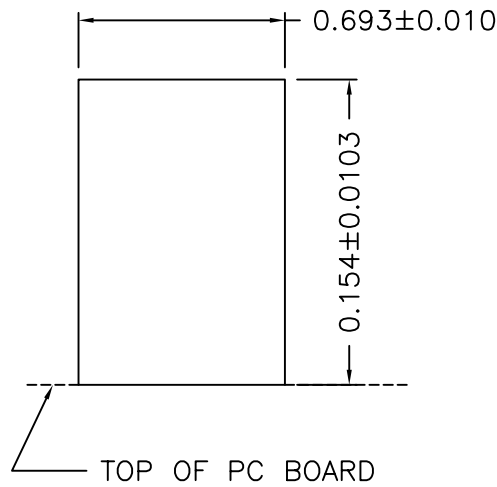
DOC REV: A/3

<b>XFMRs Inc.</b>		Title: Mechanical Dimensions For STACKED USB COMBO	
UNLESS OTHERWISE SPECIFIED TOLERANCES: .xxx ±0.010 Dimensions in Inch	P/N: XFATM9L-USBxu-4	REV. A	
	DWN.	李小锋	May-02-03
	CHK.	廖玉坤	May-02-03
	APP.	Isaiah M	May-02-03
SHEET 2 OF 3			

3. Mechanical Dimensions (cont.):



SUGGESTED PC BOARD LAYOUT VIEW  
FROM COMPONENT SIDE



RECOMMENDED PANEL CUT-OUT

DOC REV: A/3

<b>XFMRs Inc.</b>	Title: Mechanical Dimensions For STACKED USB COMBO	
	P/N: XFATM9L-USBxu-4	REV. A
UNLESS OTHERWISE SPECIFIED TOLERANCES: .xxx ±0.010 Dimensions in Inch	DWN. 李小锋	May-02-03
	CHK. 廖玉坤	May-02-03
SHEET 3 OF 3	APP. Isaiah M	May-02-03