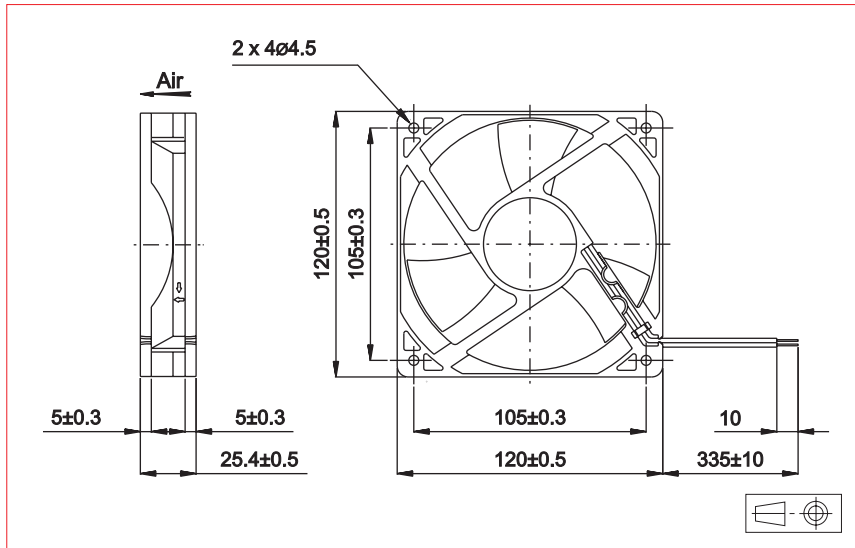


4,724" x 4,724" x 0,984" 120 x 120 x 25 mm

Series
398D

ETRI

DC Axial Fans



Approvals



Life expectancy

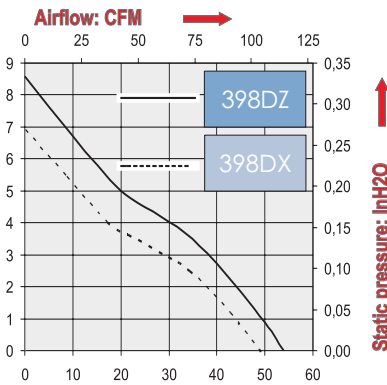
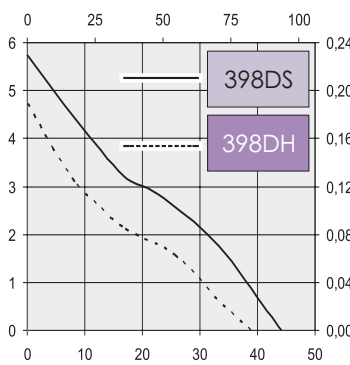
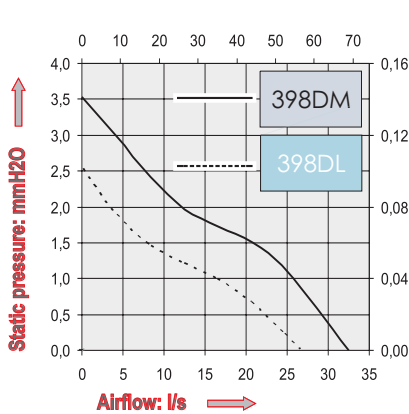
L-10 LIFE AT 40°C:
70 000 hours

Brushless DC Motor

Electrical protection: impedance protected
Housing material: plastic UL 94 VO
Impeller material: plastic UL 94 VO
Weight: 180 g
Bearing system: ball bearings

Available with:

- Speed sensor
- Alarm
- IP54 / IP55



Part Number	Nominal voltage	Airflow	Noise level	Nominal speed	Input Power	Voltage range	Connection type		Operating temperature	
	V	l/s	dB(A)	RPM	W	V	Leads	Terminals	Min.°C	Max.°C
398DL1LP11000	12	27,0	31	1950	1,68	(7-13,8)	X		-10	60
398DL2LP11000	24	27,0	31	1950	1,68	(14-27,6)	X		-10	60
398DL4LP11000	48	27,0	31	1950	1,92	(28-56)	X		-10	60
398DM1LP11000	12	32,5	34	2300	2,04	(7-13,8)	X		-10	60
398DM2LP11000	24	32,5	34	2300	2,16	(14-27,6)	X		-10	60
398DM4LP11000	48	32,5	34	2300	2,40	(28-56)	X		-10	60
398DH1LP11000	12	38,8	39	2670	3,24	(7-13,8)	X		-10	60
398DH2LP11000	24	38,8	39	2670	3,36	(14-27,6)	X		-10	60
398DH4LP11000	48	38,8	39	2670	3,36	(28-56)	X		-10	60
398DS1LP11000	12	44,2	42,5	3000	3,60	(7-13,8)	X		-10	60
398DS2LP11000	24	44,2	42,5	3000	3,60	(14-27,6)	X		-10	60
398DS4LP11000	48	44,2	42,5	3000	3,84	(28-56)	X		-10	60
398DX1LP11000	12	48,2	45,5	3300	4,80	(7-13,8)	X		-10	60
398DX2LP11000	24	48,2	45,5	3300	4,80	(14-27,6)	X		-10	60
398DZ1LP11000	12	53,8	48,5	3700	6,00	(7-13,8)	X		-10	60
398DZ2LP11000	24	53,8	48,5	3700	6,00	(14-27,6)	X		-10	60

Additional versions:
398DX and 398DZ in 48 V

Accessories:
Refer to Accessories leaflet

