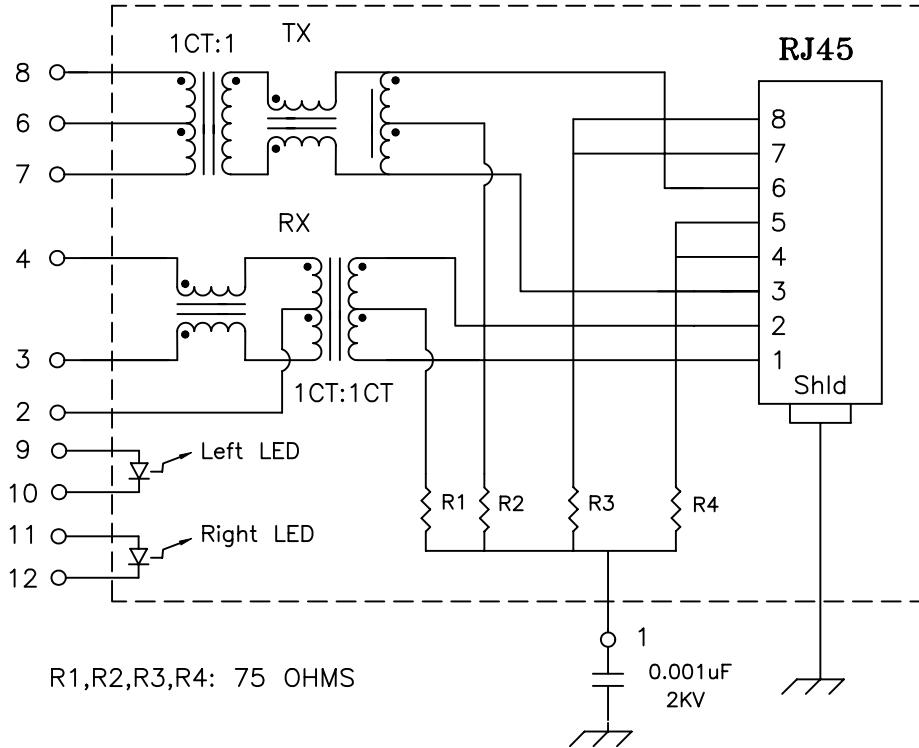


# Schematic:



## Electrical Specifications: @25°C

- Isolation Voltage: 1500 Vrms (INPUT to OUTPUT)
- Isolation Voltage: 500 Vrms (6+7+8-2+3+4)
- TURNS RATIO: TX 1CT:1 ±5% RX 1CT:1CT ±5%
- OCL: 350uH Minimum @100KHz 100mV 8mADC
- Insertion Loss (300KHz-100MHz): -1.0dB Typical
- Return Loss: 30MHz -16dB Typical
  - 60MHz -12dB Typical
  - 80MHz -10dB Typical
- CROSSTALK: 32MHz -40dB Minimum
  - 62MHz -35dB Minimum
  - 100MHz -35dB Minimum

### Notes:

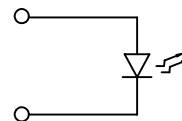
1. Solderability: Leads shall meet MIL-STD-202, Method 208D for solderability.
2. Flammability: UL94V-0
3. ASTM oxygen index: > 28%
4. Insulation System: Class F 155°C, UL file E151556
5. Operating Temperature Range: All listed parameters are to be within tolerance from 0°C to +70°C
6. Storage Temperature Range: -55°C to +125°C
7. Aqueous wash compatible

Complete the Combo P/N as follows:

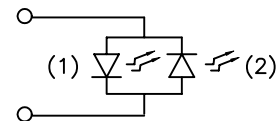
Replace 'x' & 'u' in the part number with one of the LED color letters:

- Y=Yellow
- G=Green
- A=Amber
- R=Red
- N=Yellow(1)/Green(2) Bicolor
- M=Green(1)/Yellow(2) Bicolor
- 'x' = Left LED Color
- 'u' = Right LED Color

Single Color LED:



Bi-Color LED:



DOC. REV: A/1

**XFMRs Inc.**

Title: **SINGLE PORTS COMBO**

UNLESS OTHERWISE SPECIFIED  
TOLERANCES:  
.xxx ±0.010

Dimensions in Inch

SHEET 1 OF 2

P/N: XFATM6-CTxu1-4M

REV. A

DWN.

刘 鹏

Feb-17-04

CHK.

李小锋

Feb-17-04

APP.

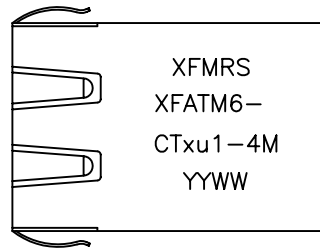
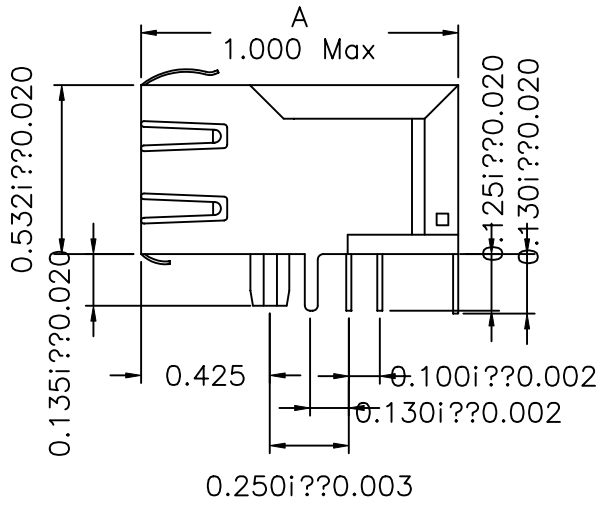
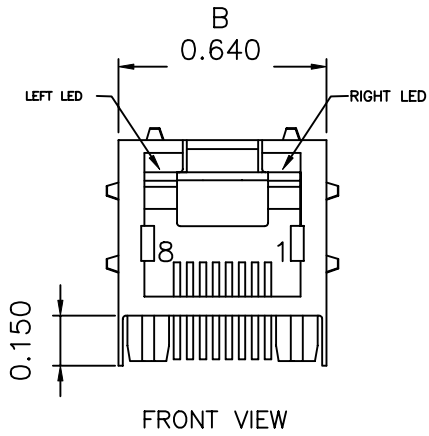
BW

Feb-17-04

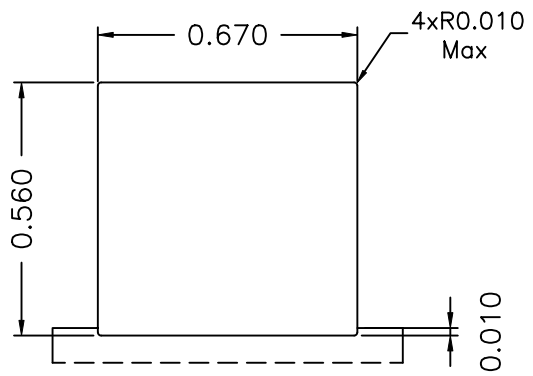
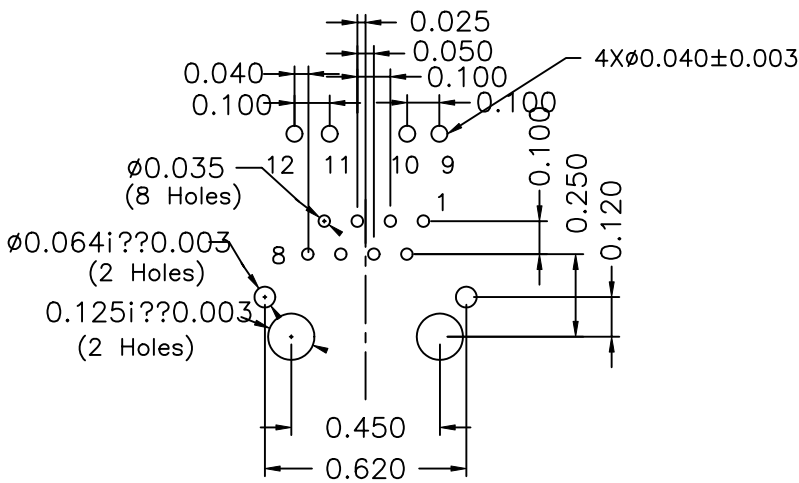
**PROPRIETARY**

Document is the property of XFMRs Group & is not allowed to be duplicated without authorization.

### Mechanical Dimensions:



### Mounting Pattern:



DOC. REV A/1

<b>XFMRS Inc.</b>	Title: Mechanical Dimensions For TAB UB RJ45 COMBO		
	UNLESS OTHERWISE SPECIFIED TOLERANCES: .xxx $\pm$ 0.010 Dimensions in Inch	P/N: XFATM6-CTxu1-4M	REV. A
		DWN. 李小铎	Feb-17-04
		CHK. 廖玉坤	Feb-17-04
SHEET 2 OF 2	APP. BW	Feb-17-04	

**PROPRIETARY**

Document is the property of XFMRS Group & is not allowed to be duplicated without authorization.