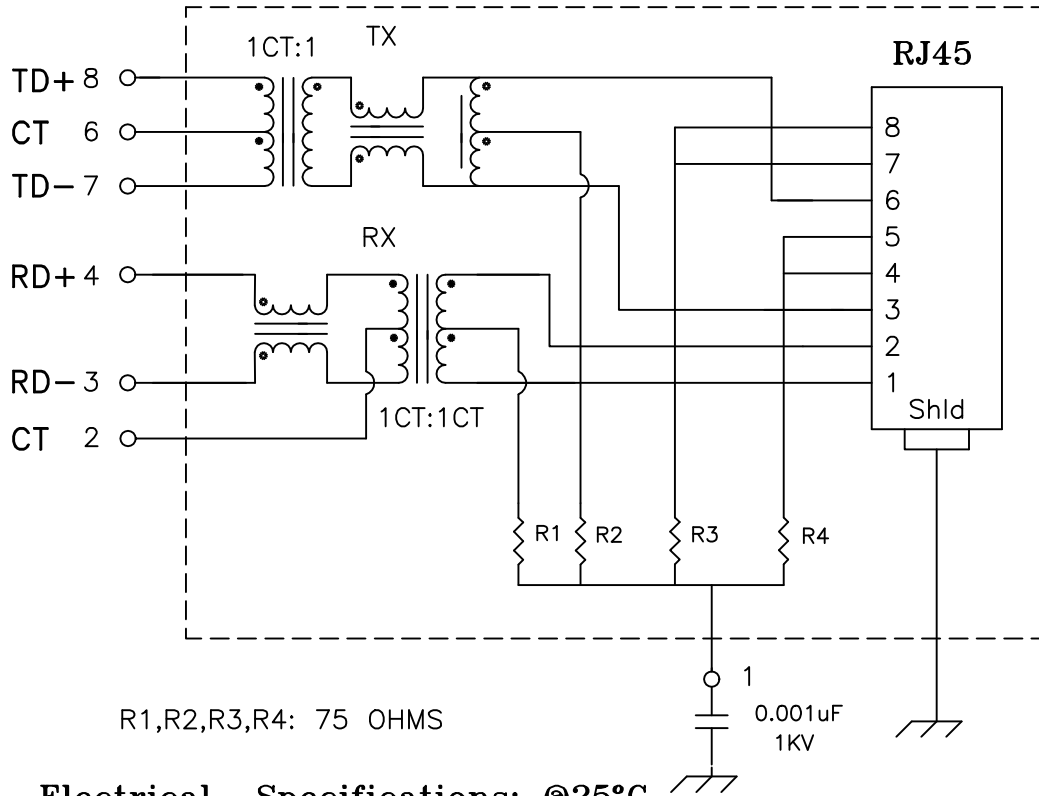


Schematic:



Electrical Specifications: @25°C

- Isolation Voltage: 1500 Vrms (INPUT to OUTPUT)
- Isolation Voltage: 500 Vrms (6+7+8-2+3+4)
- TURNS RATIO: TX 1CT:1 ±5% RX 1CT:1CT ±5%
- OCL: 350uH Minimum @100KHz 100mV 8mADC
- Insertion Loss (300KHz-100MHz): -1.0dB Typical
- Return Loss: 30MHz -16dB Typical
- 60MHz -12dB Typical
- 80MHz -10dB Typical
- CROSSTALK: 32MHz -40dB Minimum
- 62MHz -35dB Minimum
- Note: 100MHz -35dB Minimum

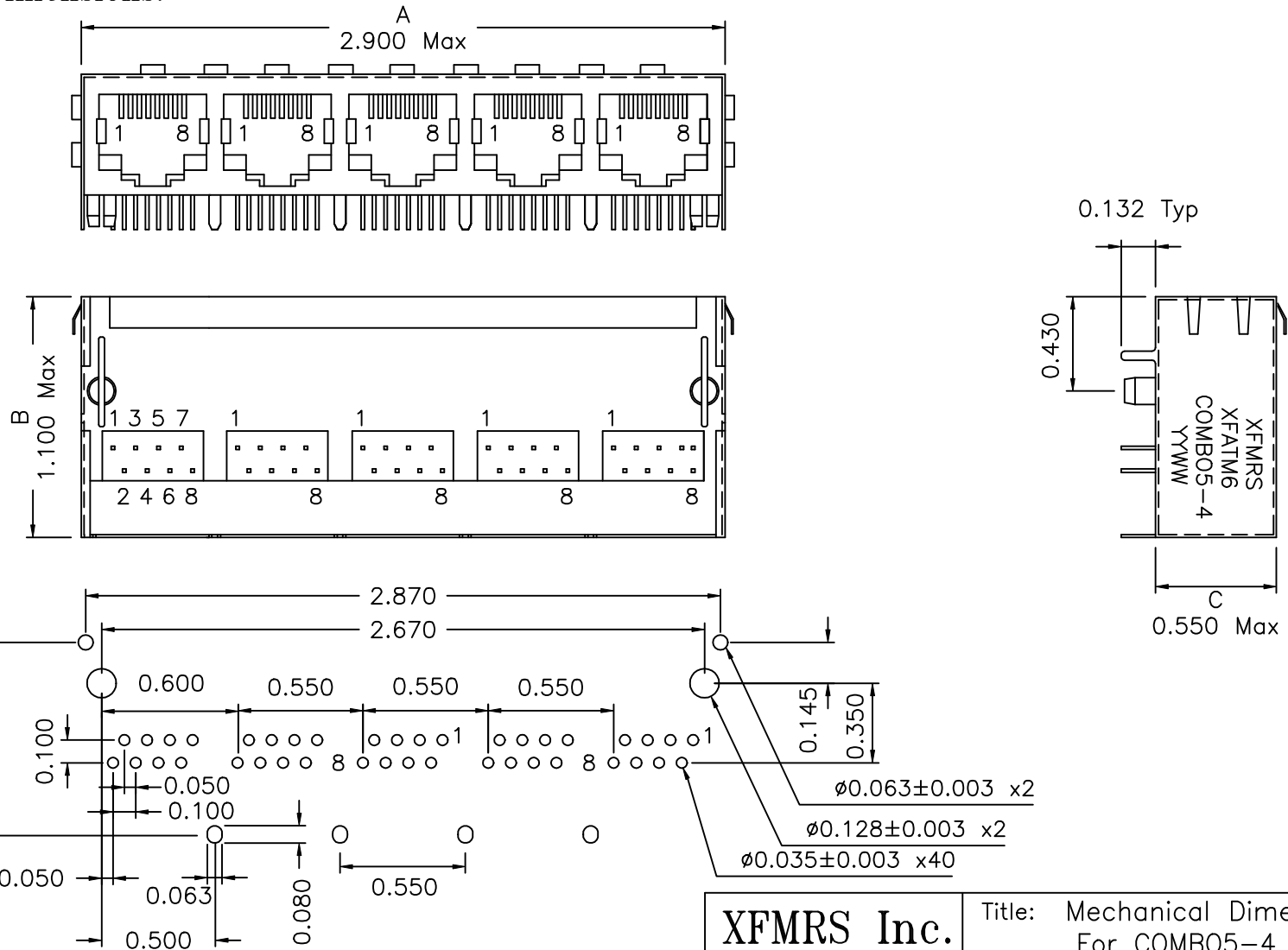
1. Solderability: Leads shall meet MIL-STD-202, Method 208D for solderability.
2. Flammability: UL94V-0,
3. ASTM oxygen index: > 28% ,
4. Temperature rating: 155°C. UL file E151556,
5. Operating Temperature Range: -40°C to +85°C

PRELIMINARY

DOC. REV: A/1

XFMRs Inc.		Title: SINGLE PORT COMBO	
UNLESS OTHERWISE SPECIFIED		P/N:XFATM6-COMBO5-4	REV. A
TOLERANCES: .xxx ±0.010		DWN. 李小锋	Jun-25-02
Dimensions in Inch		CHK. 廖玉坤	Jun-25-02
SHEET 1 OF 2		APP. BW	Jun-25-02

Mechanical Dimensions:



MOUNTING PATTERN

PRELIMINARY

DOC. REV A/1

XFMRs Inc.		Title: Mechanical Dimensions For COMBO5-4 Series		
UNLESS OTHERWISE SPECIFIED TOLERANCES: .xxx ±0.010 Dimensions in Inch	P/N: XFATM6-COMBO5-4		REV. A	
	DWN.	李小锋	Jun-25-02	
	CHK.	廖玉坤	Jun-25-02	
SHEET 2 OF 2		APP.	BW	Jun-25-02