

Ceramic Filters for AM

**Token Ceramic Filters for AM
are Compatible Murata SFU450/455kHz**



► Preview

Token ceramic filters are primarily designed for piezoelectric lines and conform to the RoHS directive and Lead-free. Ceramic filters for AM (LTP) series are designed to address the needs of standard AM filtering requirements. These filters are recommended for use in low cost products where economically, efficient designs are critical.

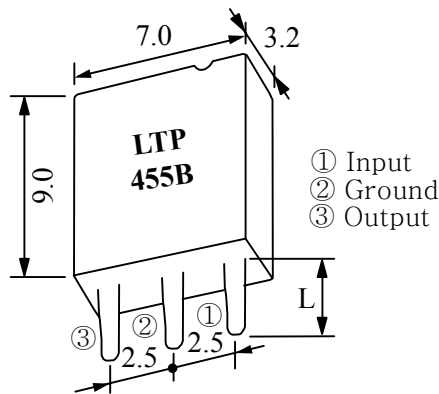
The LTP series for AM use is one of the most recommendable intermediate filters, having such distinctive features as high selectivity, high stability, and adjustment-free operation. Additionally its easy matching with IC helps create an easy circuit design.

Token ceramic filters can supply you high performance, high quality and stability. The LTP series can be customized designs and tighter tolerances available on request. Application of ceramic filters specific designs also available including different piezo band-pass devices and Q specifications adjusted to frequency requirements.

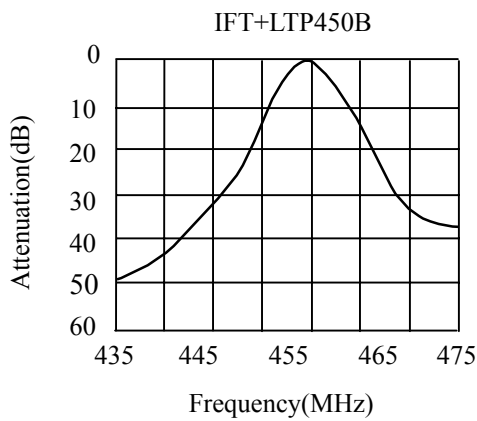
► Benefit Features

- Center frequency range between 450~470kHz are available standard tolerance of ± 2 kHz.
- Insert Loss (dB) max 5.0 db.

Dimensions



Technical Characteristics

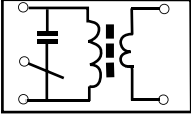


Part Number	3dB Band Width (kHz)	Center Frequency (fo) (kHz)	Selectivity(dB)min		Insert Loss (dB) max	Composition	Lead Length L (mm)	
			-9kHz off	+9kHz off			L1	L2
LTP455A	9.5±3	455±2	5.0	3.0	5.0	one element		
LTP455B	9.5±3	462±2	5.0	3.0	5.0	one element with IFT	3.6	5.0
LTP450BY	7±2	455±2	6.0	5.0	5.0			
LTP450BY1	4.5±1.5	452.5±2	9.0	8.0	5.0			

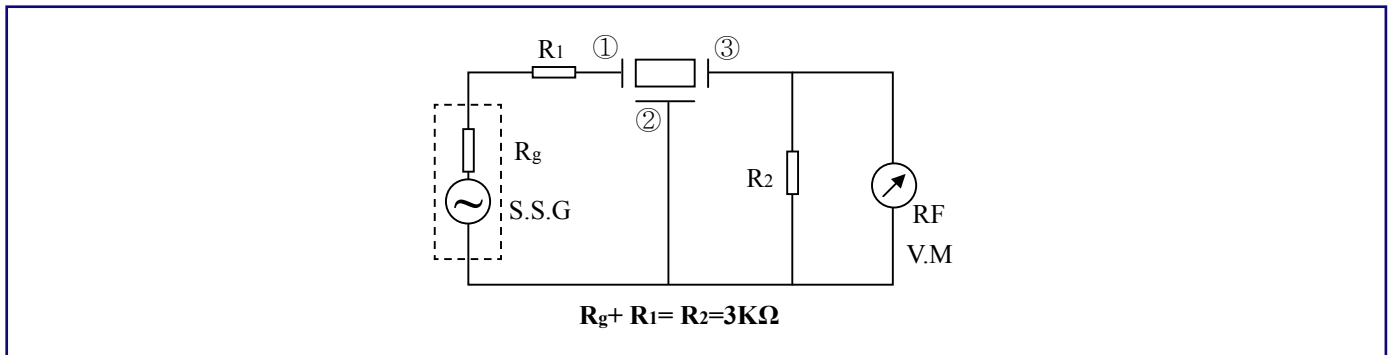
Note: Center Frequency (fo) is available in a range of 450~470kHz.

The nominal frequency tolerance is±2kHz

▶ Recommended IFT (7mm Square)

Item	LTP 455B		
Winding Specification	①~②	②~③	④~⑥
 Form bottom	70T	115T	7T
unloaded Qu	105		
Tuning Capacity	108PF		

▶ Test Circuit



▶ How to Order

LTP455A

❶

P

❷

❶ Part Number

❷ Package

Back to 1st Page - Ceramic Filters for AM - LTP