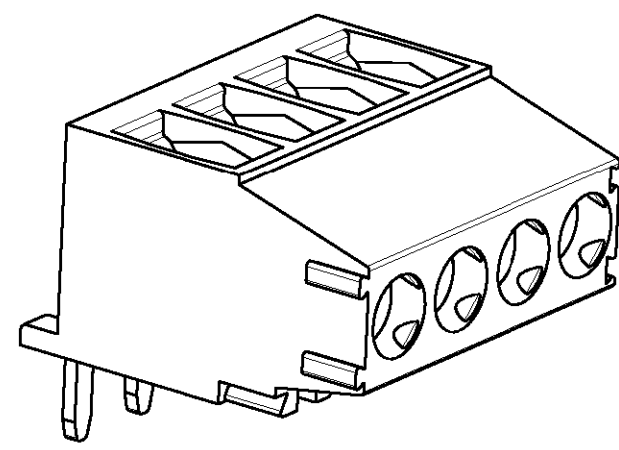
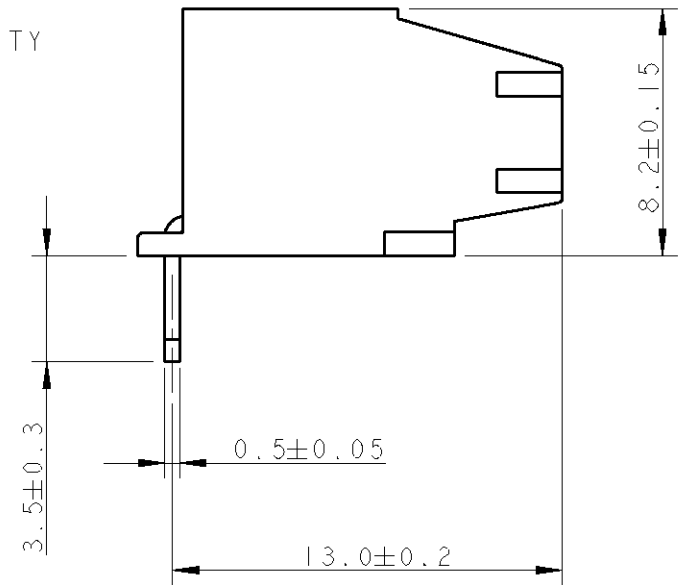
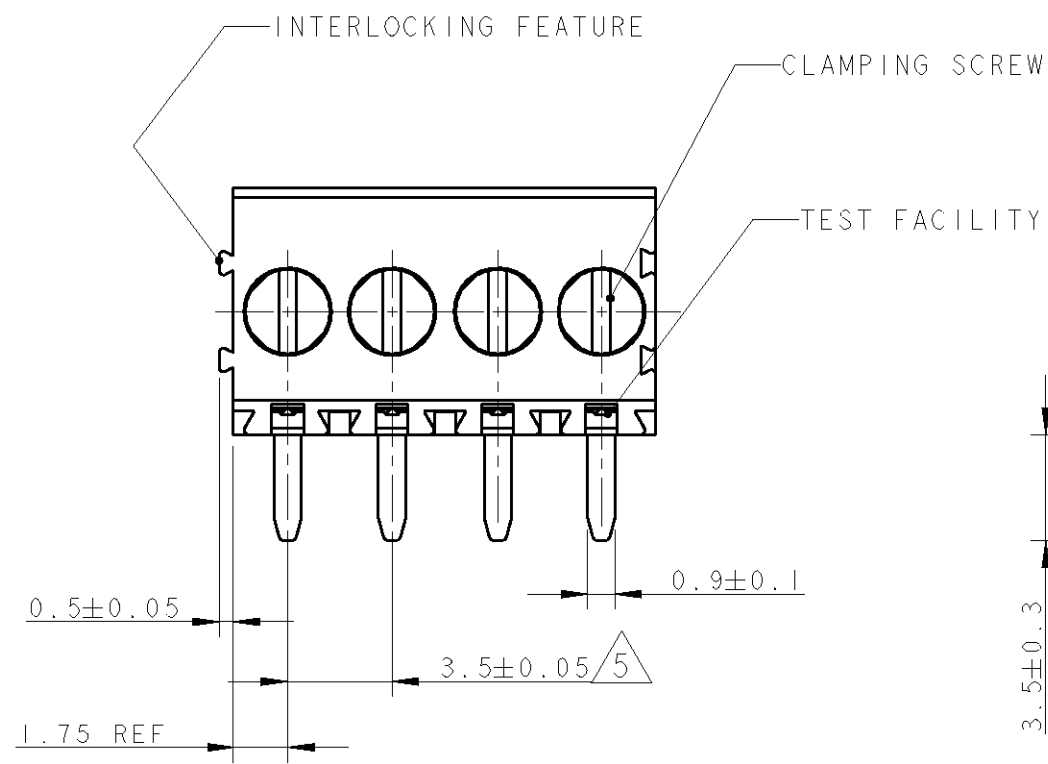
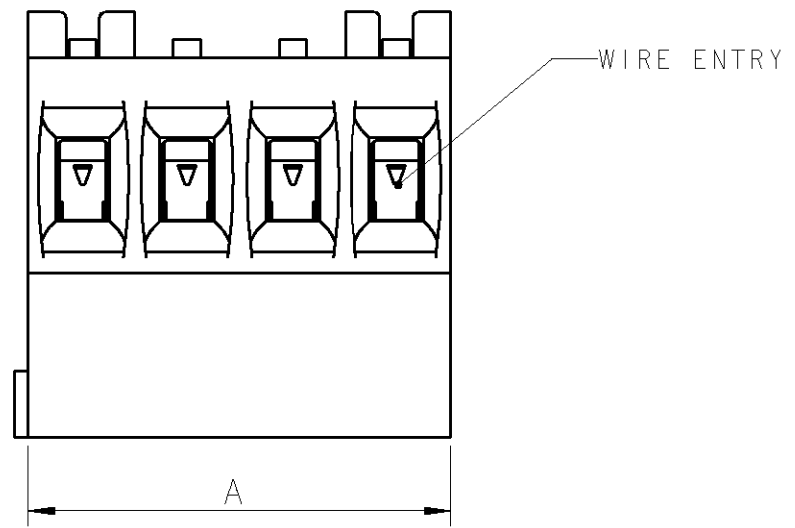


THIS DRAWING IS UNPUBLISHED. RELEASED FOR PUBLICATION 20
 © COPYRIGHT 20 BY TYCO ELECTRONICS CORPORATION. ALL RIGHTS RESERVED.

LOC	DIST	REVISIONS			
P	LTR	DESCRIPTION	DATE	DWN	APVD
FT	0	B	REVISED PER 0G3B-0119-01	01FEB2002	EZ DB

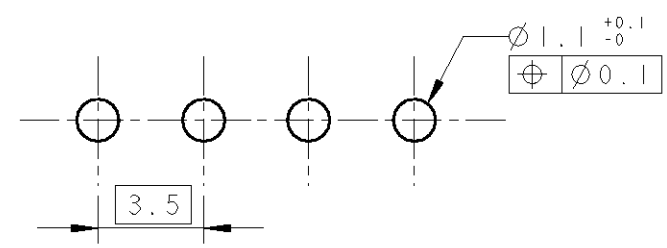


87.5	25	2-284414-5
84.0	24	2-284414-4
80.5	23	2-284414-3
77.0	22	2-284414-2
73.5	21	2-284414-1
70.0	20	2-284414-0
66.5	19	1-284414-9
63.0	18	1-284414-8
59.5	17	1-284414-7
56.0	16	1-284414-6
52.5	15	1-284414-5
49.0	14	1-284414-4
45.5	13	1-284414-3
42.0	12	1-284414-2
38.5	11	1-284414-1
35.0	10	1-284414-0
31.5	9	284414-9
28.0	8	284414-8
24.5	7	284414-7
21.0	6	284414-6
17.5	5	284414-5
14.0	4	284414-4
10.5	3	284414-3
7.0	2	284414-2
DIM "A"	NO OF POS	PART NUMBER



- 1 MATERIALS AND FINISH
 HOUSING : PA 6.6, UL 94-V0, COLOR GREEN.
 CLAMP : BRASS, NICKEL PLATED
 TERMINAL : BRASS, TIN PLATED
 CLAMPING SCREW : M3, BRASS, NICKEL PLATED
- 2 SUITABLE FOR 1.6-2.4 mm. PC BOARD THICKNESS.
- 3 END-TO-END STACKABLE W/INTERLOCK WITHOUT LOSS OF CENTERLINE SPACING
- 4 WIRE SIZE RANGE
 12 - 30 AWG
- 5 NOT CUMULATIVE TOLERANCE

RECOMMENDED PCB BOARD LAYOUT



<small>THIS DRAWING IS A CONTROLLED DOCUMENT FOR TYCO ELECTRONICS CORPORATION IT IS SUBJECT TO CHANGE AND THE CONTROLLING ENGINEERING ORGANIZATION SHOULD BE CONTACTED FOR THE LATEST REVISION.</small>		DWN 01FEB2002 E. ZANOLINI CHK 01FEB2002 E. ZANOLINI APVD 01FEB2002 D. BIEVENOUR		BUCHANAN Tyco Electronics Harrisburg, PA 17105-3608	
DIMENSIONS: mm		TOLERANCES UNLESS OTHERWISE SPECIFIED: 0 PLC ±- 1 PLC ±.3 2 PLC ±.25 3 PLC ±- 4 PLC ±- ANGLES ±2		NAME TERMINAL BLOCK PCB MOUNT, 90° TOP ENTRY WIRE, STACKING W/INTERLOCK, 3.5mm PITCH	
MATERIAL		FINISH		PRODUCT SPEC 108-20166 APPLICATION SPEC 114-20079 WEIGHT -	
CUSTOMER DRAWING				SIZE A3 CAGE CODE 00779 DRAWING NO C-284414 RESTRICTED TO -	
SCALE 4:1				SHEET 1 OF 1 REV B	