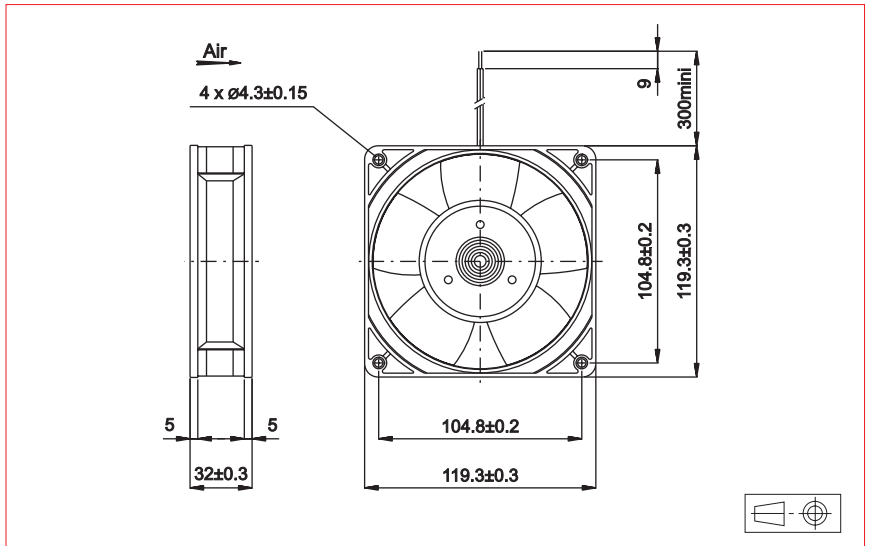


DC Axial Fans



Approvals



Life expectancy

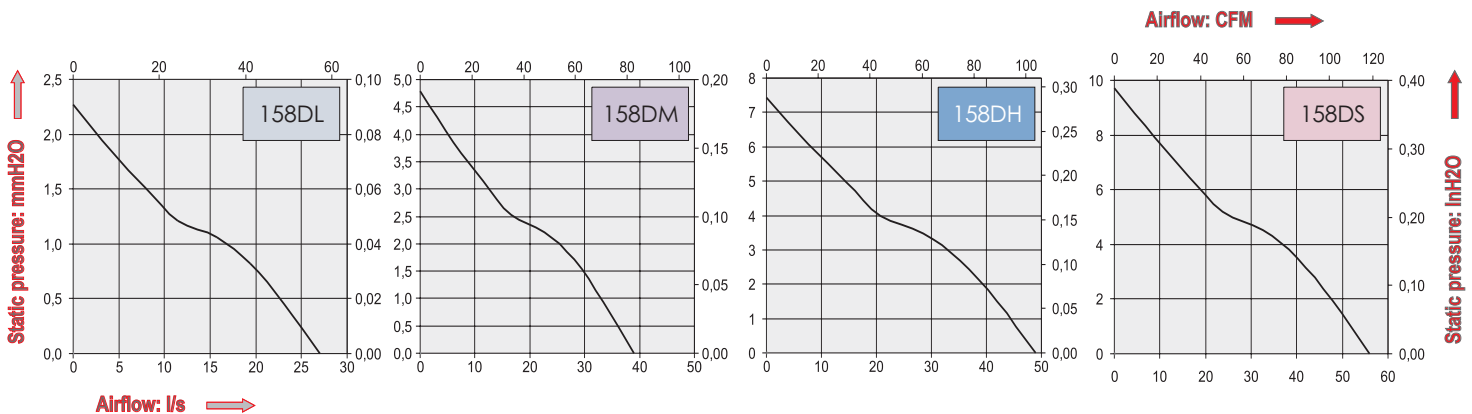
L-10 LIFE AT 40°C:
80 000 hours

Brushless DC Motor

Electrical protection: integrated circuit
Housing material: plastic UL 94 VO
Impeller material: plastic UL 94 VO
Weight: 230 g
Bearing system: ball bearings

Available with:

- Variable speed
- Speed sensor
- Alarm



Part Number	Nominal voltage	Airflow	Noise level	Nominal speed	Input Power	Voltage range	Connection type		Operating temperature	
	V						l/s	dB(A)	RPM	W
158DL5LP11000	5	27	29,5	1680	1,4	(4,5-6)	X		-20	70
158DL1LP11000	12	27	29,5	1680	1,6	(6-15)	X		-20	70
158DL2LP11000	24	27	29,5	1680	1,8	(15-28)	X		-20	70
158DL4LP11000	48	27	29,5	1680	2,1	(22-56)	X		-20	70
158DM5LP11000	5	39	37,5	2450	3,2	(4,5-6)	X		-20	70
158DM1LP11000	12	39	37,5	2450	3,3	(6-15)	X		-20	70
158DM2LP11000	24	39	37,5	2450	3,5	(15-28)	X		-20	70
158DM4LP11000	48	39	37,5	2450	3,7	(22-56)	X		-20	70
158DH5LP11000	5	49	42,5	3050	6,2	(4,5-6)	X		-20	70
158DH1LP11000	12	49	42,5	3050	6,2	(6-15)	X		-20	70
158DH2LP11000	24	49	42,5	3050	6,2	(15-28)	X		-20	70
158DH4LP11000	48	49	42,5	3050	6,2	(22-56)	X		-20	70
158DS1LP11000	12	55,9	45,5	3480	10	(6-13,2)	X		-20	55
158DS2LP11000	24	55,9	45,5	3480	8,7	(15-28)	X		-20	55
158DS4LP11000	48	55,9	45,5	3480	8,7	(22-56)	X		-20	70

Additional versions:

Over voltages - other speeds - salt spray protected - shock and vibration protected
IP54: consult factory

Accessories:

Refer to Accessories leaflet