

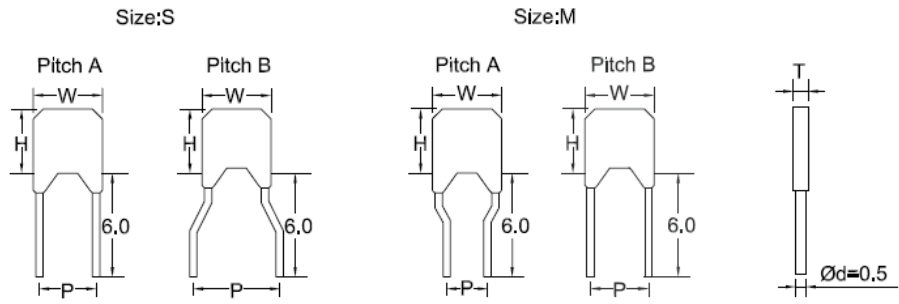
### Radial Ceramic Monolithic Capacitor

#### Features

- Superior moisture and shock resistant epoxy coating
- Available in bulk, tape& reel, or ammo package
- RoHS compliant



#### Dimensions (in mm)



Size	Pitch Code	Lead Spacing (F)	W Max.	H Max.	T Max.	Lead Diameter (dØ)	Lead Length (L)
S	A B	2.54±0.25 5.08±0.5	3.81	3.81	2.54	0.5±0.05	6.0±0.5 or 16.0±1.0
M	A B	2.54±0.25 5.08±0.5	5.08	5.08	3.00		

#### Capacitance Range Chart and Size Code

Temp. Coefficiency		NPO			X7R			Y5V		Z5U
Rated Voltage		50	100	200	50	100	200	50	100	50
Cap.	Cap. Code									
10 pf	100	S	S	M						
15 pf	150	S	S	M						
18 pf	180	S	S	M						
20 pf	200	S	S	M						
22 pf	220	S	S	M						
24 pf	240	S	S	M						
27 pf	270	S	S	M						
30 pf	300	S	S	M						
33 pf	330	S	S	M						
39 pf	390	S	S	M						
47 pf	470	S	S	M						
56 pf	560	S	S	M						
68 pf	680	S	S	M						
82 pf	820	S	S	M						
100 pf	101	S	S	M						

# Radial Ceramic Monolithic Capacitor

## TMR Series

Temp. Coefficiency		NPO			X7R			Y5V		Z5U
Rated Voltage		50	100	200	50	100	200	50	100	50
Cap.	Cap. Code									
120 pf	121	S	S	M						
150 pf	151	S	S	M						
180 pf	181	S	S	M						
220 pf	221	S	S	M	S	S				
270 pf	271	S	S	M	S	S				
330 pf	331	S	S	M	S	S				
390 pf	391	S	S	M	S	S				
470 pf	471	S	S	M	S	S				
560 pf	561	S	S	M	S	S				
620 pf	621	S	S	M	S	S				
0.001 µf	102	S	S	M	S	S	M	S	S	
0.0012 µf	122	M	M	M	S	S	M	S	S	
0.0015 µf	152	M	M	M	S	S	M	S	S	
0.0018 µf	182	M	M	M	S	S	M	S	S	
0.0022 µf	222	M	M	M	S	S	M	S	S	
0.0027 µf	272	M	M	M	S	S	M	S	S	
0.0033 µf	332	M	M	M	S	S	M	S	S	
0.0039 µf	392	M	M	M	S	S	M	S	S	
0.0047 µf	472	M	M		S	S	M	S	S	
0.0056 µf	562	M	M		S	S	M	S	S	
0.0068 µf	682	M	M		S	S	M	S	S	
0.0082 µf	822	M	M		S	S	M	S	S	
0.01 µf	103	M	M		S	S	M	S	S	S
0.012 µf	123				S	S	M	S	S	S
0.015 µf	153				S	S	M	S	S	S
0.022 µf	223				S	S	M	S	S	S
0.027 µf	273				S	S	M	S	S	S
0.033 µf	333				S	S	M	S	S	S
0.039 µf	393				S	S		S	S	S
0.047 µf	473				S	S		S	S	S
0.056 µf	563				S	S		S	S	S
0.068 µf	683				S	S		S	S	S
0.082 µf	823				S	S		S	S	S
0.1 µf	104				S	S		S	S	S
0.15 µf	154				S	S		S	S	S
0.18 µf	184				S	S		S	S	S
0.22 µf	224				S	S		S	S	S
0.33 µf	334				M	M		S	S	S
0.47 µf	474				M	M		S		S
0.68 µf	684				M	M		S		S
1 µf	105				M	M		S		M
2.2 µf	225				M	M		S		M
10 µf	106				M	M				M

- Note: 1. High capacitance is available upon request.  
 2. Z5U is phasing out and replaced by X7R.

# Radial Ceramic Monolithic Capacitor

## TMR Series

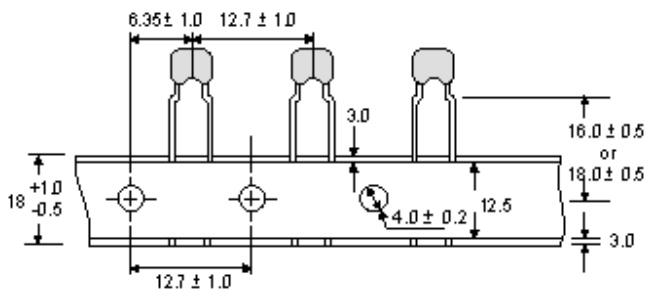
### Temperature Specification

TC	Operation Temperature Range(° C)	Max. Dissipation Factor (%)	Temperature Characteristics	Standard Capacitance Tolerance
NPO	-55 to +125	0.1	0±30ppm/° C	J:±5%
X7R	-55 to +125	2.5	±15%ΔC	K:±10%
Y5V	-30 to +85	5.0	+22% to -82%ΔC	Z:+80% / -20%
Z5U	+10 to+85	4.0	+22% to -82%ΔC	M:±20%, Z:+80% / -20%

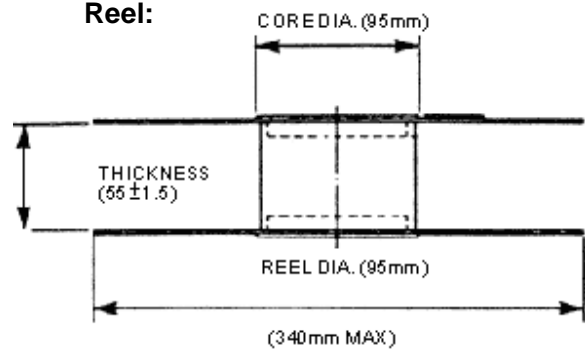
Note: Other Tolerance is available per request

### Packing Information (Unit:mm)

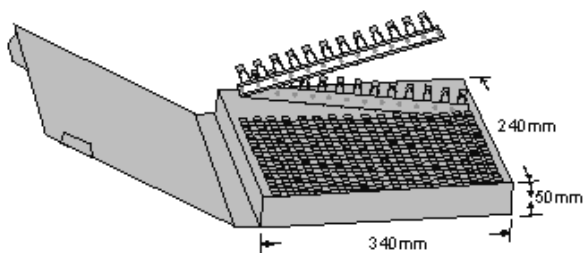
#### Tape:



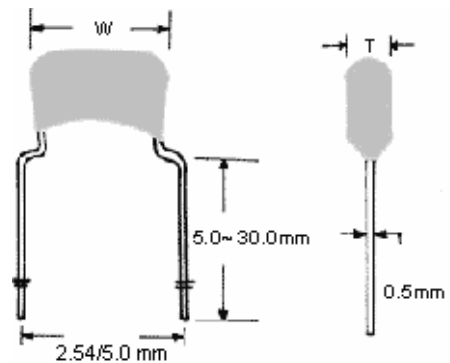
#### Reel:



#### Ammo:



#### Bulk:

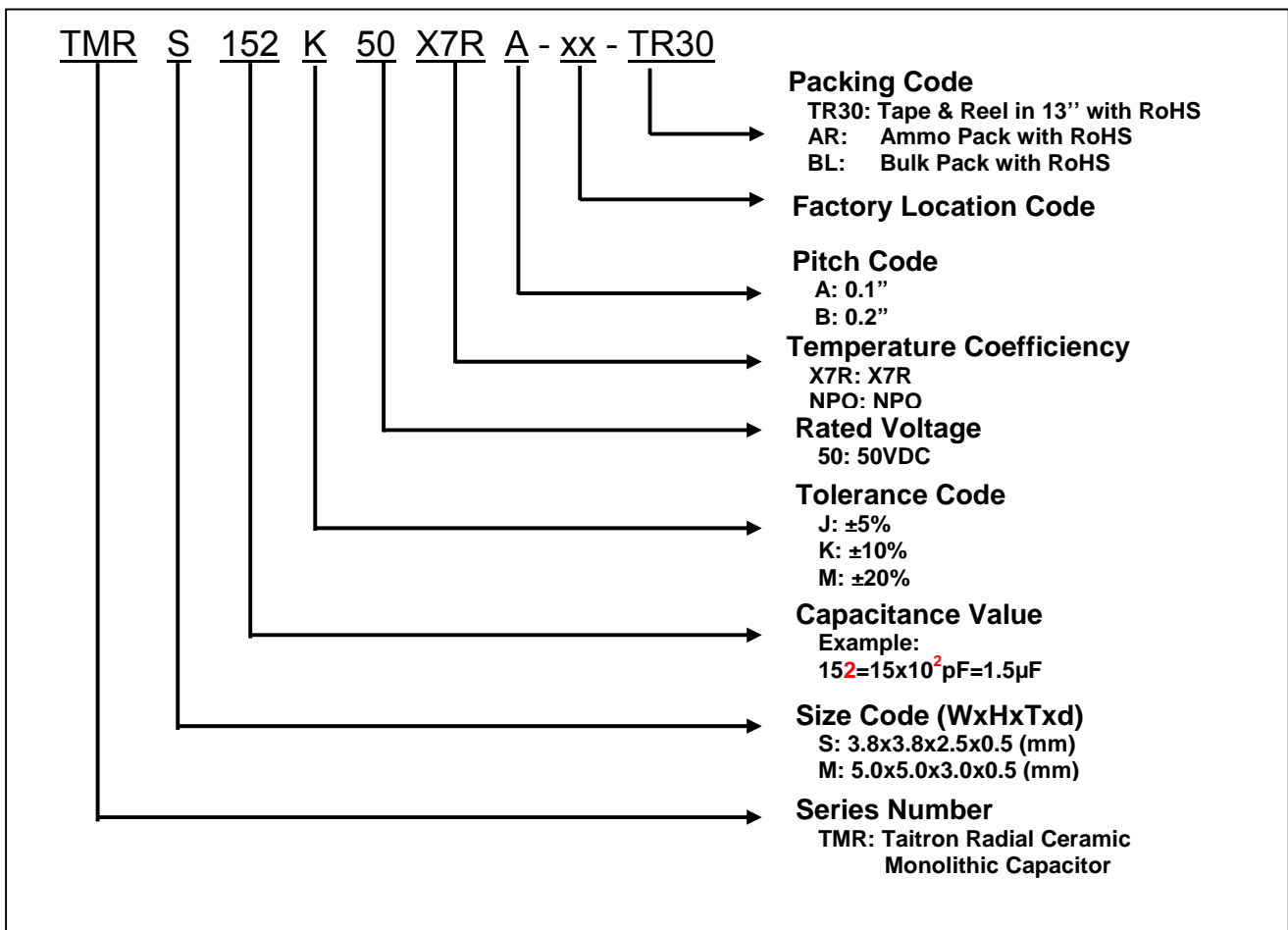


Packing	QTY	Standard Lead Length (mm)
Bulk	1000 pcs/Bag	6
Tape & Ammo	2000 pcs/Box	16
Tape & Reel	4000 pcs/Reel	16

# Radial Ceramic Monolithic Capacitor

## TMR Series

### How to order:



# Radial Ceramic Monolithic Capacitor

---

## TMR Series

### How to contact us:

#### **US HEADQUARTERS**

28040 WEST HARRISON PARKWAY, VALENCIA, CA 91355-4162

Tel: (800) TAITRON (800) 824-8766 (661) 257-6060

Fax: (800) TAITFAX (800) 824-8329 (661) 257-6415

Email: [taitron@taitroncomponents.com](mailto:taitron@taitroncomponents.com)

Http://[www.taitroncomponents.com](http://www.taitroncomponents.com)

#### **TAITRON COMPONENTS MEXICO, S.A .DE C.V.**

BOULEVARD CENTRAL 5000 INTERIOR 5 PARQUE INDUSTRIAL ATITALAQUIA, HIDALGO C.P.  
42970 MEXICO

Tel: +52-55-5560-1519

Fax: +52-55-5560-2190

#### **TAITRON COMPONENTS INCORPORATED REPRESENTAÇÕES DO BRASIL LTDA**

RUA DOMINGOS DE MORAIS, 2777, 2.ANDAR, SALA 24 SAÚDE - SÃO PAULO-SP 04035-001 BRAZIL

Tel: +55-11-5574-7949

Fax: +55-11-5572-0052

#### **TAITRON COMPONENTS INCORPORATED, SHANGHAI REPRESENTATIVE OFFICE**

METROBANK PLAZA, 1160 WEST YAN' AN ROAD, SUITE 1503, SHANGHAI, 200052, CHINA

Tel: +86-21-5424-9942

Fax: +86-21-5424-9931