



# TAI-SAW TECHNOLOGY CO., LTD.

No. 3, Industrial 2nd Rd., Ping-Chen Industrial District,  
Taoyuan, 324, Taiwan, R.O.C.

TEL: 886-3-4690038 FAX: 886-3-4697532

E-mail: [tstsales@mail.taisaw.com](mailto:tstsales@mail.taisaw.com) Web: [www.taisaw.com](http://www.taisaw.com)

## Product Specifications Approval Sheet

Product Description: SAW Resonator 1000 MHz SMD 3.0X3.0 mm

TST Part No.: TC0528A

Customer Part No.: \_\_\_\_\_

Customer signature required
Company: _____
Division: _____
Approved by : _____
Date: _____

Checked by: Paul Ni *Paul*

Approved by: Francis Chen *[Signature]*

Date: 2009/6/26

1. Customer signed back is required before TST can proceed with sample build and receive orders.
2. Orders received without customer signed back will be regarded as agreement on the specifications.
3. Any specifications changes must be approved upon by both parties and a new revision of specifications shall be released to reflect the changes.



# TAI-SAW TECHNOLOGY CO., LTD.

No. 3, Industrial 2nd Rd., Ping-Chen Industrial District,  
Taoyuan, 324, Taiwan, R.O.C.

TEL: 886-3-4690038 FAX: 886-3-4697532

E-mail: [tstsales@mail.taisaw.com](mailto:tstsales@mail.taisaw.com) Web: [www.taisaw.com](http://www.taisaw.com)

## SAW Resonator 1000 MHz

MODEL NO.: TC0528A

REV. NO.: 1.0

### A. FEATURES:

- 1-Port Resonator.

### B. MAXIMUM RATING:

1. Input Power Level: 10 dBm
2. DC voltage: 3 V
3. Operating Temperature: -40°C to +85°C
4. Storage Temperature: -40°C to +85°C

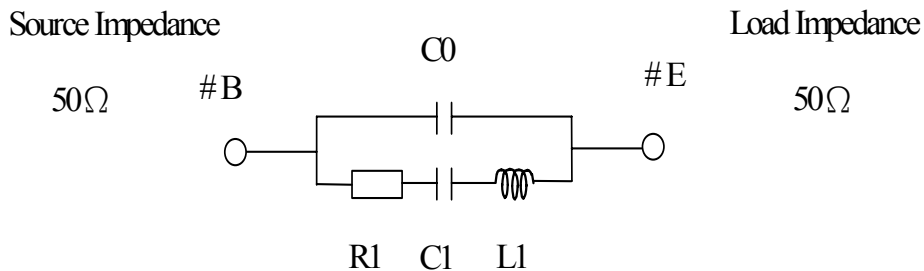
RoHS Compliant  
Lead free  
Lead-free soldering

### C. ELECTRICAL CHARACTERISTICS:

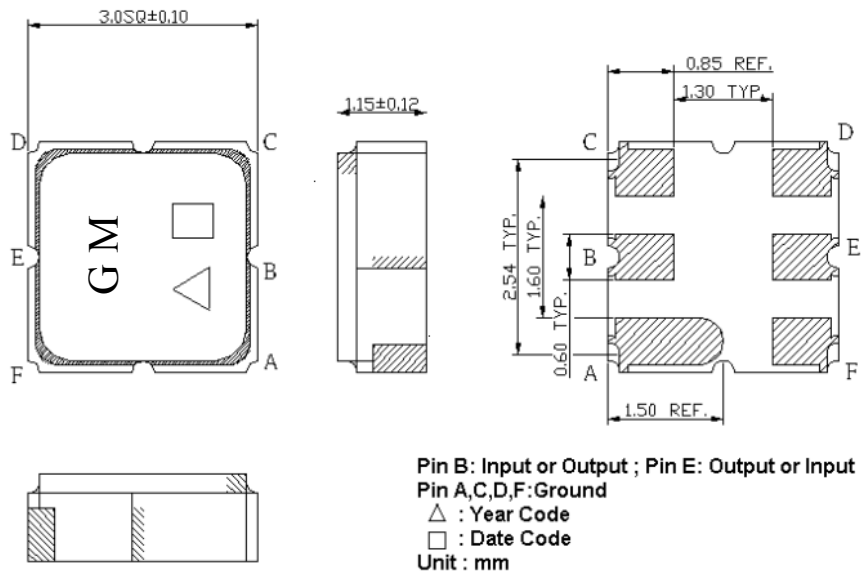
Characteristic	Units	Minimum	Typical	Maximum
Center frequency <b>Fr</b>	<b>MHz</b>	1000.875	1000.000	1000.125
Insertion Loss <b>IL</b>	<b>dB</b>	-	1.30	2.0
Equivalent Elements				
Motional capacitance <b>C1</b>	<b>fF</b>	-	1.66	-
Motional inductance <b>L1</b>	<b>μH</b>	-	15.3	-
Motional resistance <b>R1</b>	<b>Ohm</b>	-	10.7	-
Parallel capacitance <b>Co</b>	<b>pF</b>	-	2.75	-
Temp.coeff.	<b>ppm/c*2</b>	-	0.032	-
Turnover To	<b>deg.C</b>	-	25	-
Package size		SMD 3.0X3.0X1.4mm		

### D. EQUIVIRENT CIRCUIT:

One-Port Resonator:

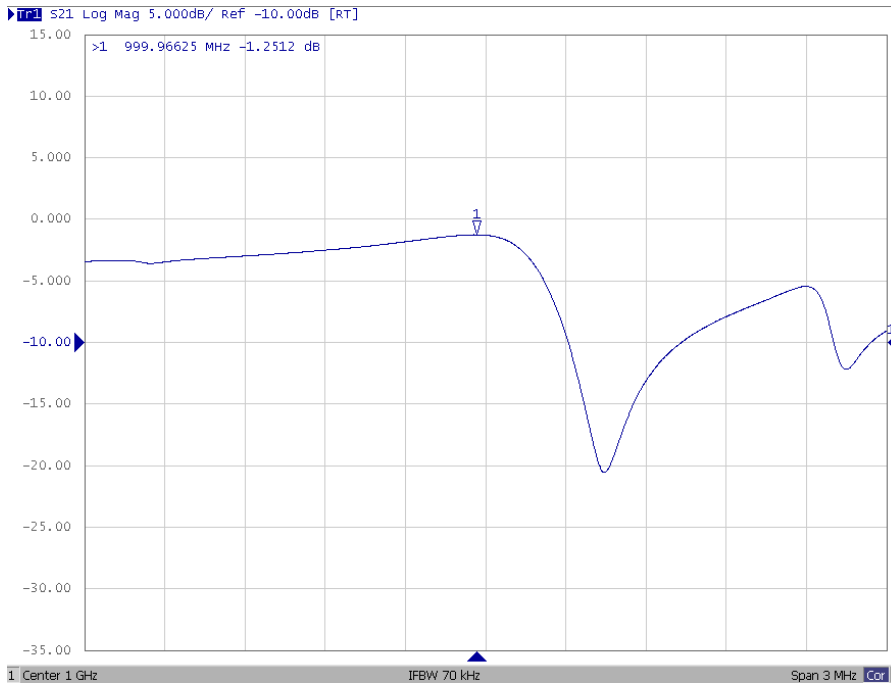


**E. OUTLINE DRAWING:**

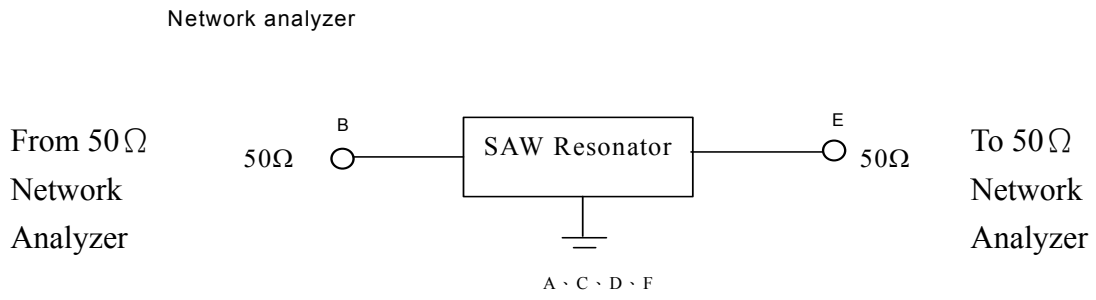


Date code: Provided by planer each year  
 Year code: 9 for 2009, 0 for 2010, ...

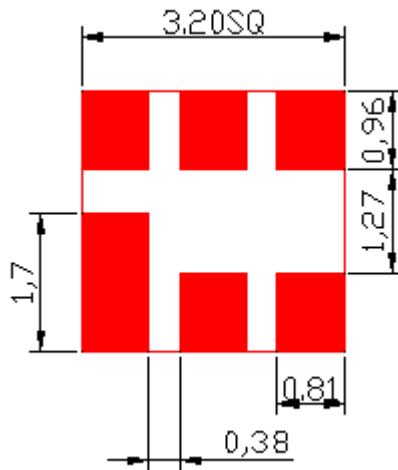
**F. FREQUENCY CHARACTERISTICS**



G. TEST CIRCUIT:

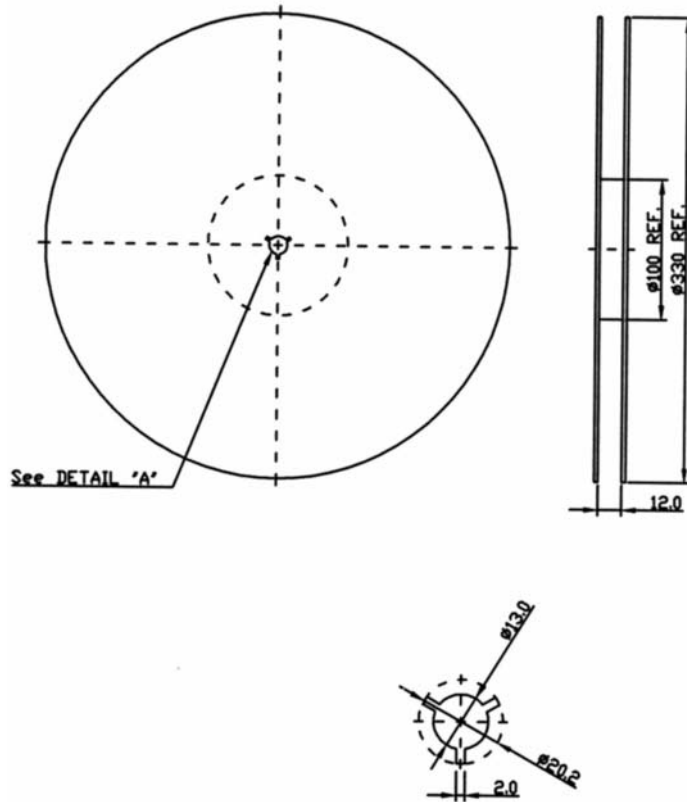


H. LAND PATTERN:

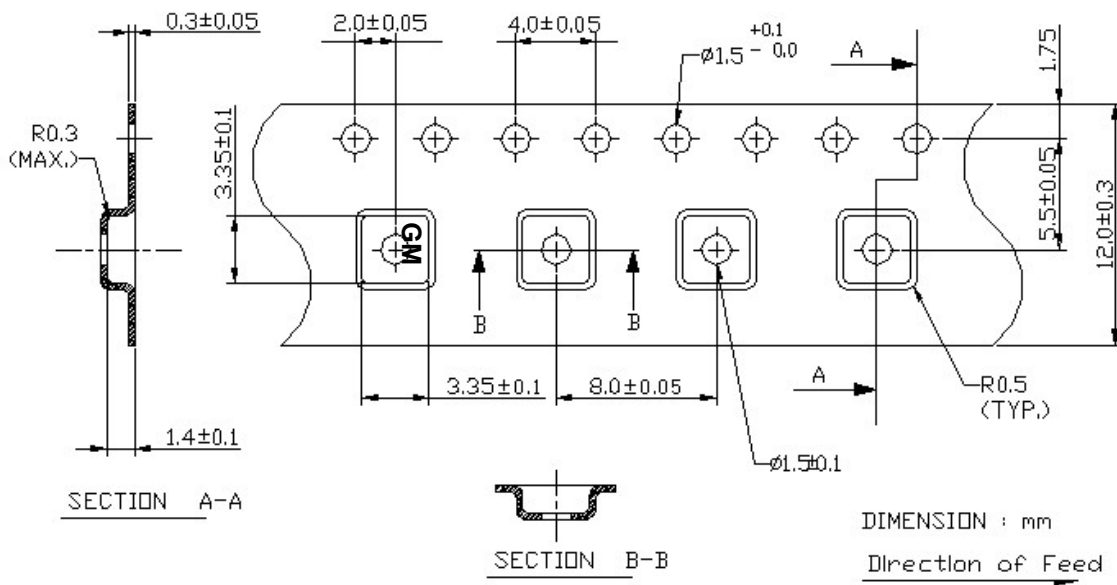


I. PACKING:

1. REEL DIMENSION



2. TAPE DIMENSION



**J. RECOMMENDED REFLOW PROFILE:**

