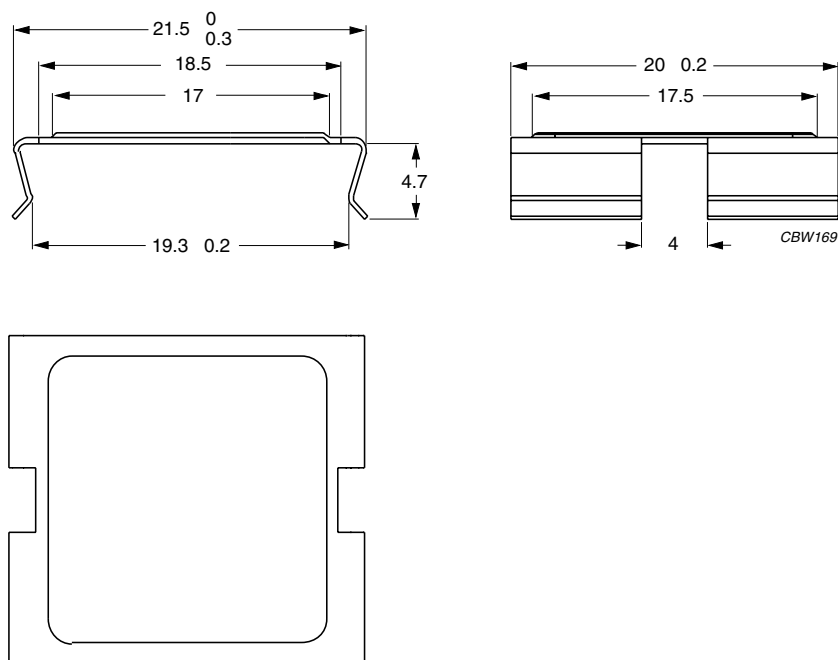


MOUNTING PARTS

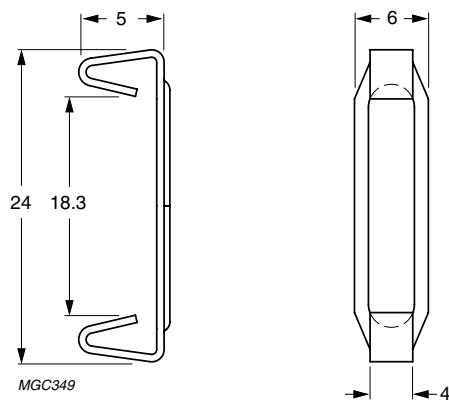
General data

ITEM	REMARKS	FIGURE	TYPE NUMBER
Clamp	stainless steel (CrNi); clamping force 30 N	6	CLM-EFD20
Clip	stainless steel (CrNi); clamping force 20 N	7	CLI-EFD20



Dimensions in mm.

Fig.6 Clamp CLM-EFD20



Dimensions in mm.

Fig.7 Clip CLI-EFD20.