

**P/N: 24ST1142-3 DATA SHEET****Feature**

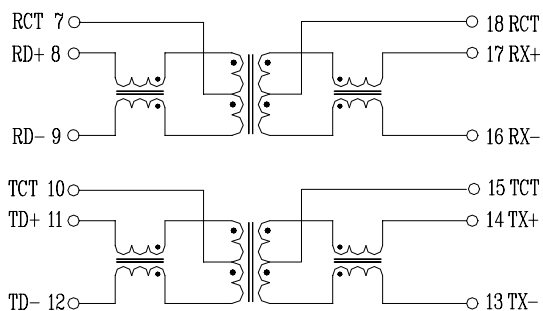
- Designed for 10/100 MB/s transmission over UTP-5 cable.
- Cable interface for isolation and low common mode Emissions.
- 24-PIN SMD package, pick and place compatible.
- Operating temperature range: 0 to +70 .
- Storage temperature range: -25 to +125 .

Electrical Specifications @ 25°C

Part Number	Turns Ratio (±5%)		OCL(uH Min) @100KHz/0.1V with 8mA DC Bias	L.L (uH Max)	C _{WVW} (pF Max)	Rise Time 10-90% (nS Typ)	HI-POT (Vrms)
	TX	RX					
24ST1142-3	1CT:1	1CT:1CT	350	0.6	28	2.5	1500

Continue

Part Number	Insertion Loss (dB Max)	Return Loss (dB Min)					Cross talk Attenuation (dB Min)		DCMR TX/RX(dB Min)	
		0.3-100MHz	30MHz	40MHz	50MHz	60MHz	80MHz	0.3-60MHz	60-80MHz	0.3-60MHz
24ST1142-3	-1.15	-16	-14	-13.5	-13	-12	-40	-30	-35/-30	-35/-30

Schematic**Mechanical**