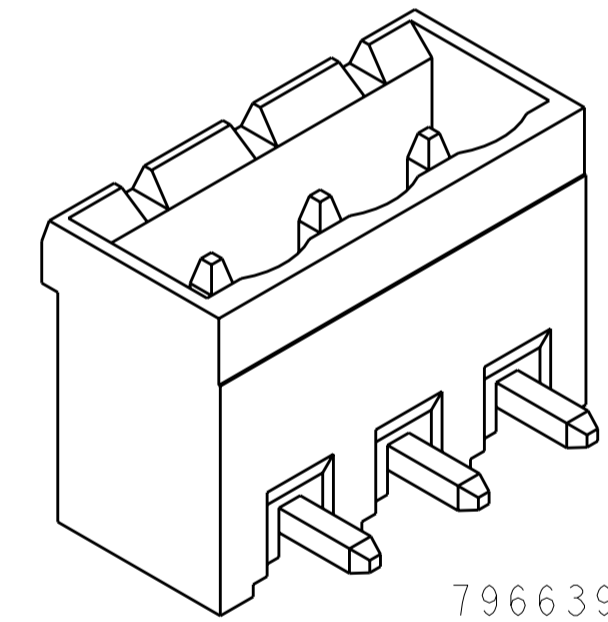
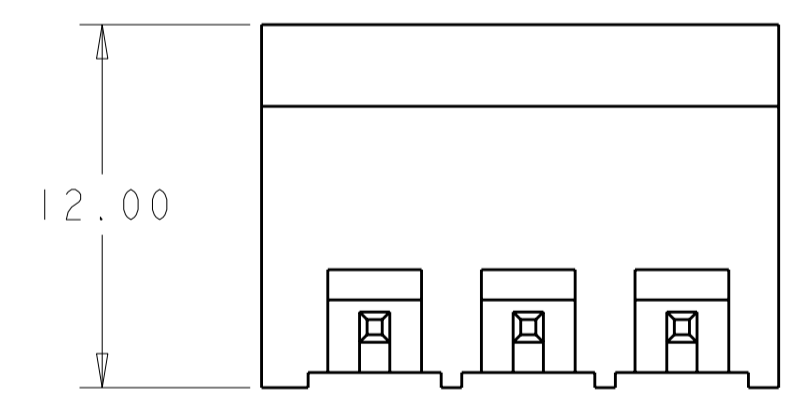
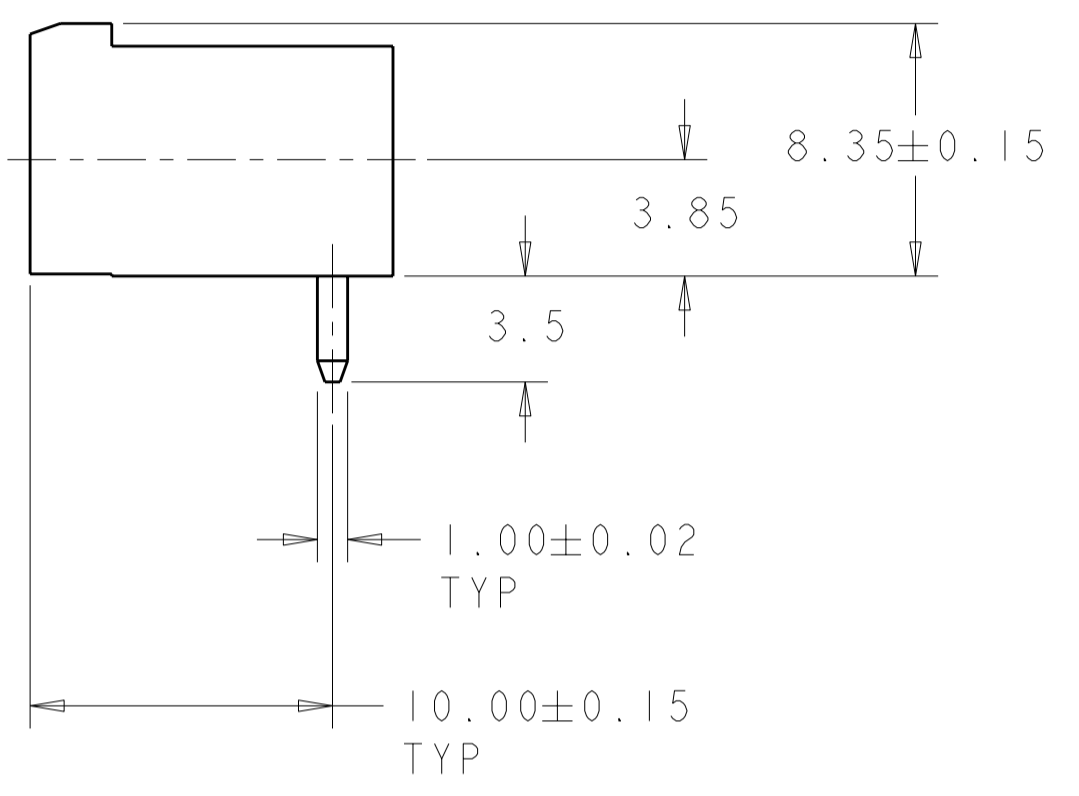
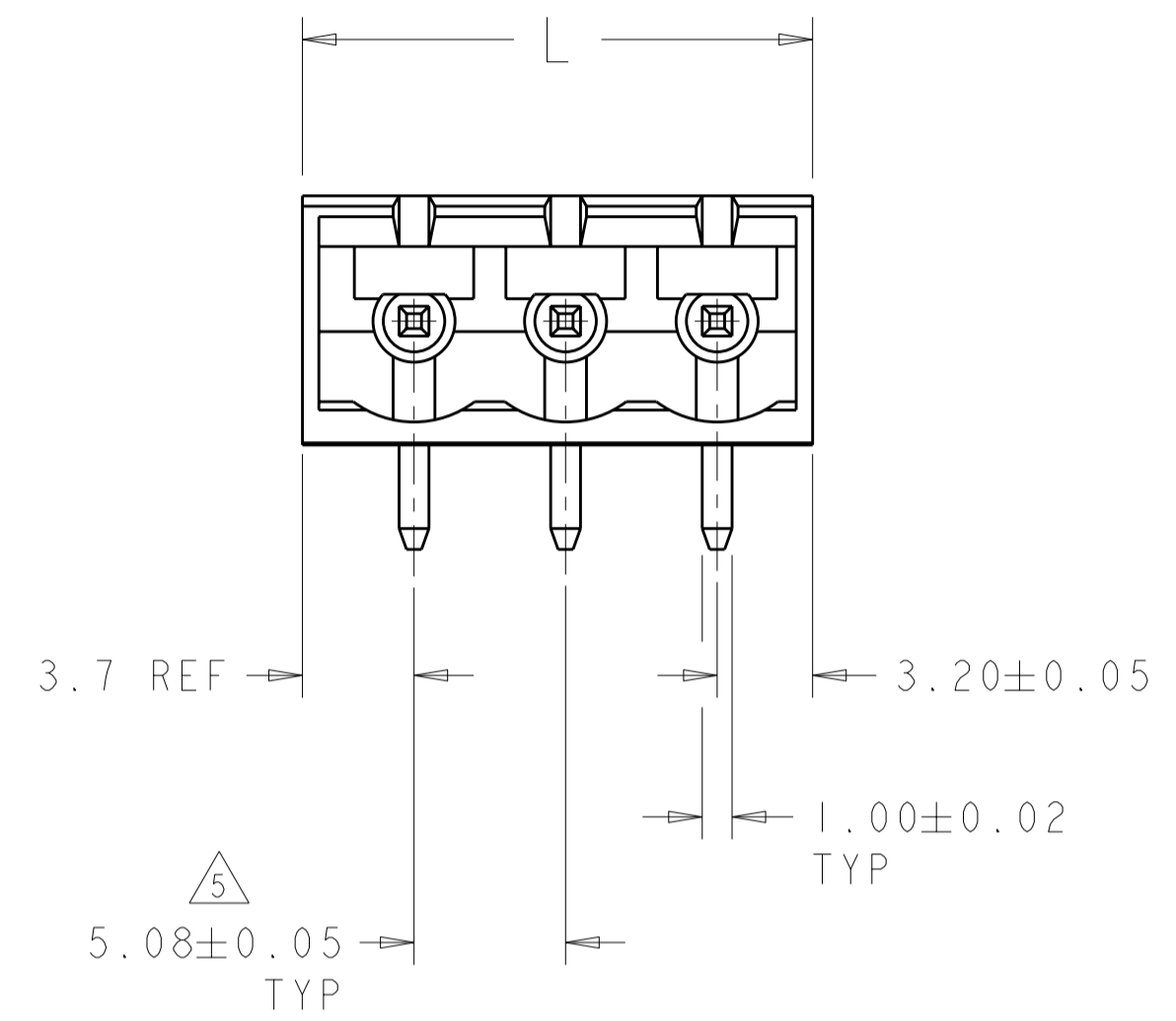


THIS DRAWING IS UNPUBLISHED. RELEASED FOR PUBLICATION 20
 © COPYRIGHT 20 BY TYCO ELECTRONICS CORPORATION. ALL RIGHTS RESERVED.

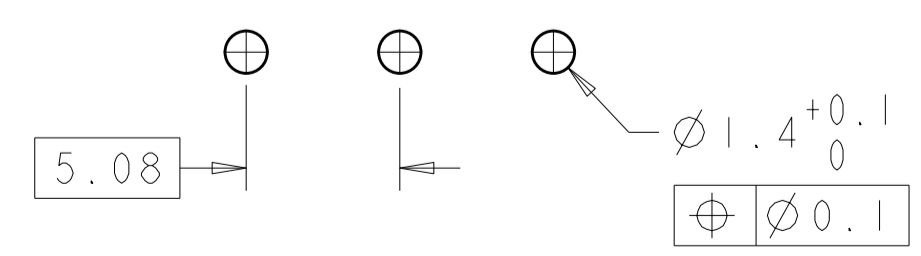
LOC	DIST	REVISIONS					
FT	0	P	LTR	DESCRIPTION	DATE	DWN	APVD
		B3		REVISED PER ECO-08-031183	15DEC2008	HMR	CR



796639-3 AS SHOWN

CONTACT FINISH	DIM L	NO OF POSN	PART NUMBER
0.76µm GOLD	108.50	21	3-796639-8
0.76µm GOLD	88.18	17	3-796639-7
0.76µm GOLD	72.94	14	3-796639-6
0.76µm GOLD	62.78	12	3-796639-5
0.76µm GOLD	52.62	10	3-796639-4
0.76µm GOLD	47.54	9	3-796639-3
0.76µm GOLD	42.46	8	3-796639-2
0.76µm GOLD	37.38	7	3-796639-1
0.76µm GOLD	32.30	6	3-796639-0
0.76µm GOLD	27.22	5	2-796639-9
0.76µm GOLD	22.14	4	2-796639-8
0.76µm GOLD	17.06	3	2-796639-7
0.76µm GOLD	11.98	2	2-796639-6
TIN	128.82	25	2-796639-5
TIN	123.74	24	2-796639-4
TIN	118.66	23	2-796639-3
TIN	113.58	22	2-796639-2
TIN	108.50	21	2-796639-1
TIN	103.42	20	2-796639-0
TIN	98.34	19	1-796639-9
TIN	93.26	18	1-796639-8
TIN	88.18	17	1-796639-7
TIN	83.10	16	1-796639-6
TIN	78.02	15	1-796639-5
TIN	72.94	14	1-796639-4
TIN	67.86	13	1-796639-3
TIN	62.78	12	1-796639-2
TIN	57.70	11	1-796639-1
TIN	52.62	10	1-796639-0
TIN	47.54	9	796639-9
TIN	42.46	8	796639-8
TIN	37.38	7	796639-7
TIN	32.30	6	796639-6
TIN	27.22	5	796639-5
TIN	22.14	4	796639-4
TIN	17.06	3	796639-3
TIN	11.98	2	796639-2

- 1. MATERIALS AND FINISH:
HOUSING: PA 6-6, UL 94-V0, COLOR: BLACK.
TERMINAL: PHOSPHOR BRONZE, FINISH: SEE TABLE.
- 2. SUITABLE FOR 1,6-2, 4mm PC BOARD THICKNESS.
- 3. RECOGNIZED UNDER THE COMPONENT PROGRAM OF UNDERWRITERS LABORATORIES INC. FILE N° E60677.
- 4. IMQ CERTIFICATE WITH SURVEILLANCE IN CONFORMITY WITH IEC 998-1/998-2-1.)



RECOMMENDED PC BOARD LAYOUT

- 5. NOT CUMULATIVE TOLERANCE
- 6. PRELIMINARY PART NUMBER.

<small>THIS DRAWING IS A CONTROLLED DOCUMENT FOR TYCO ELECTRONICS CORPORATION. IT IS SUBJECT TO CHANGE AND THE CONTROLLING ENGINEERING ORGANIZATION SHOULD BE CONTACTED FOR THE LATEST REVISION.</small>		DWN S.WELDON 19OCT2000 CHK D.BIEVENOUR 19OCT2000 APVD D.BIEVENOUR 19OCT2000	Tyco Electronics Harrisburg, PA 17105-3608
DIMENSIONS: mm 	TOLERANCES UNLESS OTHERWISE SPECIFIED: 0 PLC ±- 1 PLC ±0.2 2 PLC ±- 3 PLC ±- 4 PLC ±- ANGLES ±- FINISH ±-	PRODUCT SPEC - APPLICATION SPEC - WEIGHT -	NAME TERMI-BLOK HEADER ASSEMBLY, 90 DEGREE, CLOSED ENDS, 5.08mm PITCH
MATERIAL		CUSTOMER DRAWING	SIZE A2 CAGE CODE 00779 DRAWING NO. 796639 RESTRICTED TO - SCALE 4:1 SHEET 1 OF 1 REV B3