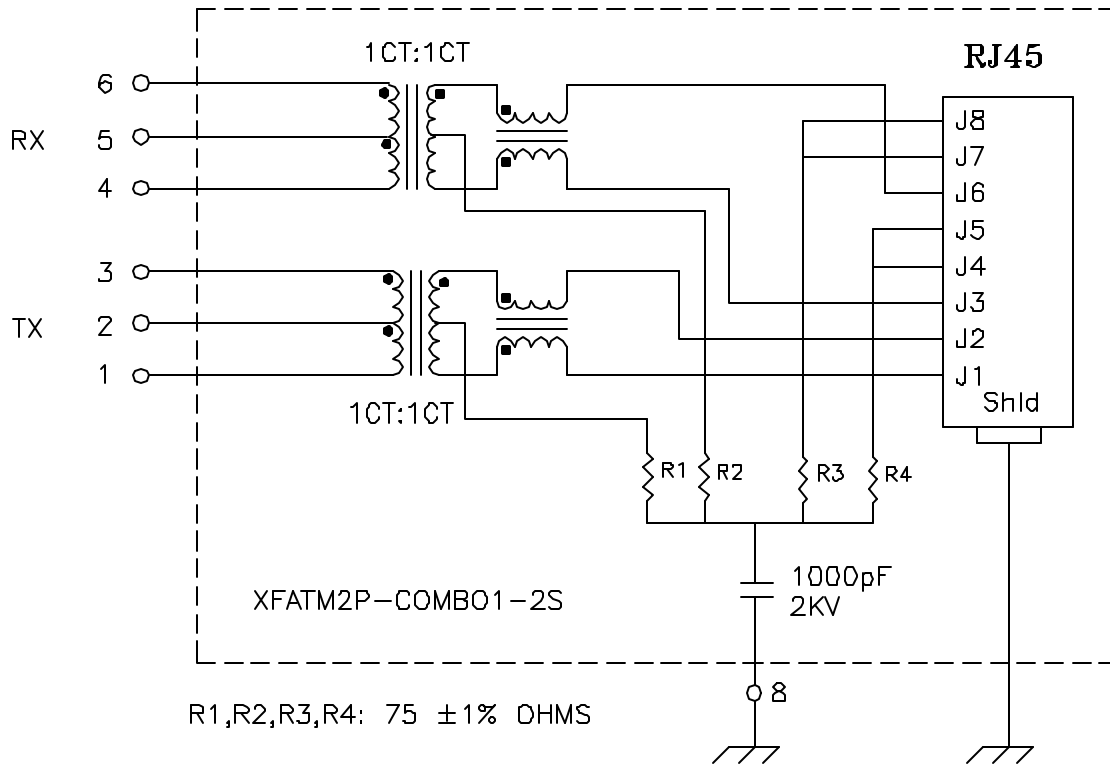


**Schematic:**



R1,R2,R3,R4: 75 ±1% OHMS

**Electrical Specifications: @25°C**

Isolation Voltage: 1500 Vac (J1+J2 to P1+P3), (J3+J6 to P4+P6)

Isolation Voltage: 500 Vac (1+2+3 to 4+5+6)

OCL: P6-P4, 350uH Min @100KHz 100mV 8mADC

OCL: P3-P1, 350uH Min @100KHz 100mV 8mADC

DCR: J6-J3 = J2-J1, 1.20 Ohms Max

Interwinding Capacitance: 30pF Max (P6,P5,P4 to J6,J3)

Interwinding Capacitance: 30pF Max (P3,P2,P1 to J2,J1)

Rise Time (10-90%): 3.0ns Max

Insertion Loss (300KHz-100MHz): -1.1dB Maximum

Insertion Loss (100MHz-125MHz): -1.5dB Maximum

Return Loss: -12dB Typical @1MHz - 80MHz

Crosstalk:

1MHz-100MHz -40dB Typical

Common Mode to Differential Mode Rejection:

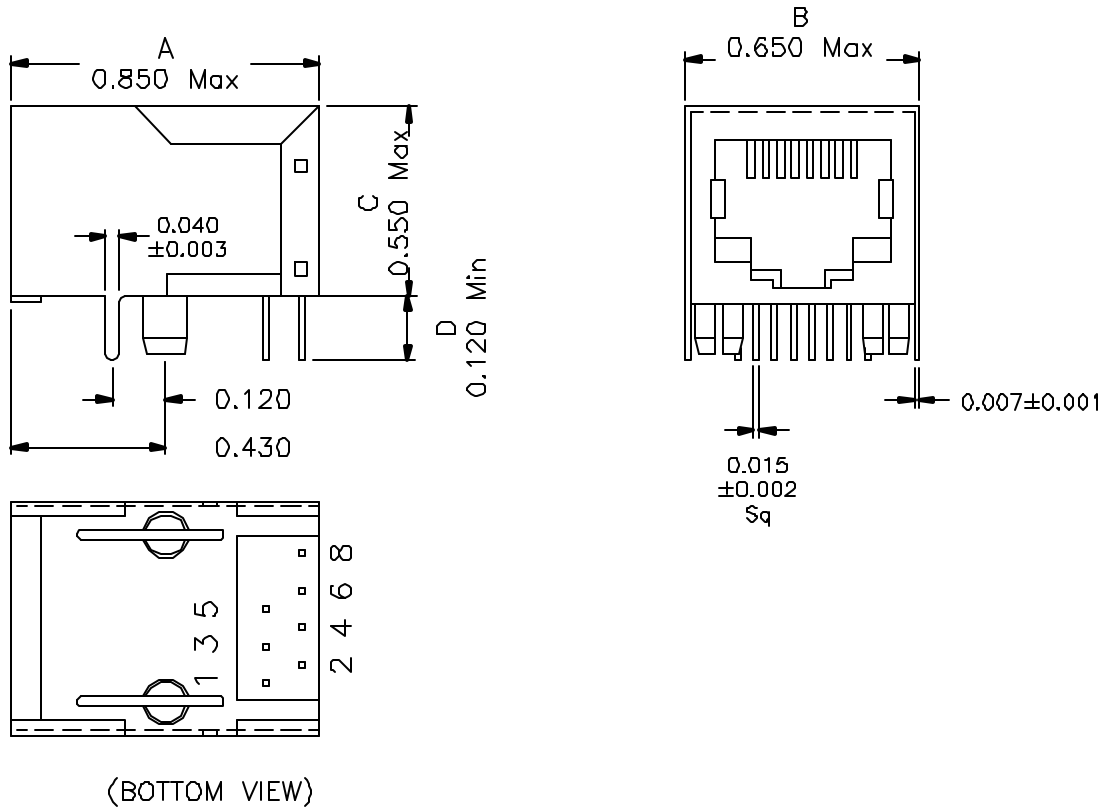
30MHz-100MHz -35dB Typ (Tx) / -35dB Typ (Rx)

<p><b>XFMRs Inc.</b></p> <p>UNLESS OTHERWISE SPECIFIED TOLERANCES: .xxx ±0.010 Dimensions in Inch</p> <p>SHEET 1 OF 2</p>	Title: <b>SINGLE PORT COMBO</b>	
	P/N: XFATM2P-COMBO1-2S	
	REV. A	
	DWN.	廖玉坤
	CHK.	李清儿
APP.	Joe Huff	

DOC. REV: A/3

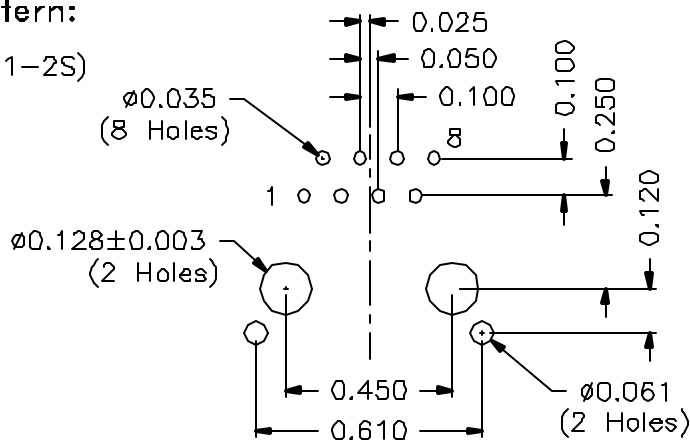
# Mechanical Dimensions:

**XFMR5**  
**XFATM2P-**  
**COMB01-2S**  
**YYWW**



## Mounting Pattern:

(FOR COMB01-2S)  
 (COMP SIDE)



DOC. REV: A/3

<b>XFMR5 Inc.</b>	Title: Mechanical Dimensions For COMB01-2S Series		
	UNLESS OTHERWISE SPECIFIED TOLERANCES: .xxx ±0.010 Dimensions in Inch	P/N: XFATM2P-COMB01-2S	REV.A
	DWN.	廖玉坤	Feb-26-01
	CHK.	李清儿	Feb-26-01
SHEET 2 OF 2	APP.	Joe Huff	Feb-26-01