



CONNOR-WINFIELD CORPORATION

AURORA, IL. 60505

PHONE (630) 851-4722

FAX (630) 851-5040

14 PIN DIP CMOS/TTL TCXO

| SPECIFICATIONS | ATV1 | ATV2 | ATV3 | ATV4 | |
|--|---|----------------------|--------------|----------------|--|
| Frequency Range | 2MHz to 50MHz | | | | |
| Frequency vs Temperature (Vcc=5.00V , Vcontrol=2.50V) | ±0.5ppm | ±1.0ppm | ±2.5ppm | ±5.0ppm | |
| Temperature Range | +20°C to +40°C | 0°C to +50°C | 0°C to +70°C | -30°C to +70°C | |
| Calibration Tolerance @ 25°C | ±2.5ppm (referenced to nominal frequency) | | | | |
| Start Up Time | 10mS Maximum | | | | |
| Supply Voltage | +5Vdc ±5% | | | | |
| Supply Current | 35mA Maximum | | | | |
| Output | Waveform | CMOS/TTL Squarewave | | | |
| | Load | 50pF or 10 TTL Loads | | | |
| | Voltage | Voh | 4.5V Maximum | | |
| | | Vol | 0.4V Maximum | | |
| | Current | Ioh | -16.0mA | | |
| | | Iol | 16.0mA | | |
| Duty Cycle | 40/60 Maximum measured @ 2.5V | | | | |
| Rise/Fall Time | 6nS Maximum | | | | |
| Frequency Control | Positive Transfer Characteristic | | | | |
| Vcontrol (Pin 1) | 0.5 to 4.5Vdc | | | | |
| Avg Slope of Freq Adjust | 4.0ppm/V Minimum | | | | |
| Frequency Adjustment Range | ±8ppm Minimum | | | | |
| Linearity of Freq Adjust | ±15% Maximum | | | | |
| Calibration @ Vcontrol=2.50V (Vcc = 5.00V, 25°C) | ±2.5ppm | | | | |
| Input Impedance to Pin 1 | 10K Ohms Minimum | | | | |
| Aging | ≤1.0ppm/yr at 30°C | | | | |
| Package | All metal, hermetically sealed, welded package. | | | | |

NOTE: An external frequency adjust voltage must be applied to pin 1 to set calibration. A variable resistance potentiometer can be use to achieve precise calibration.
(See reverse side for circuit drawing)

Specifications subject to change without notice

BULLETIN #: TX021
PAGE 1 OF 2

REV: 01
DATE: 3/18/96

ISSUED BY: _____

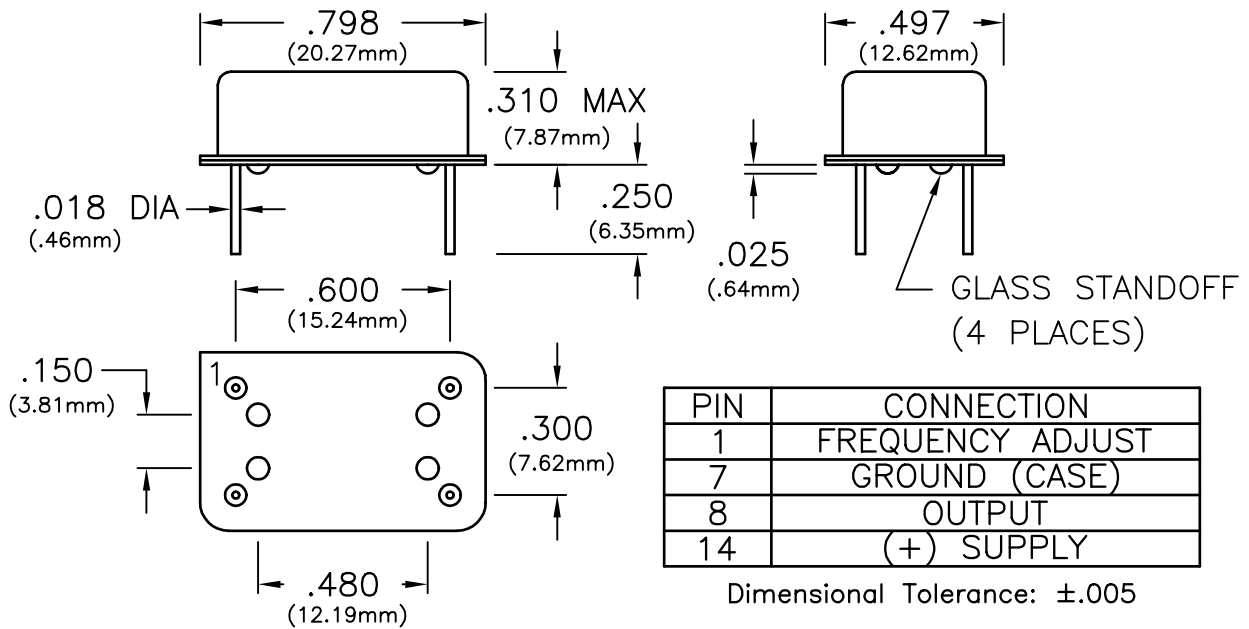


CONNOR-WINFIELD CORPORATION

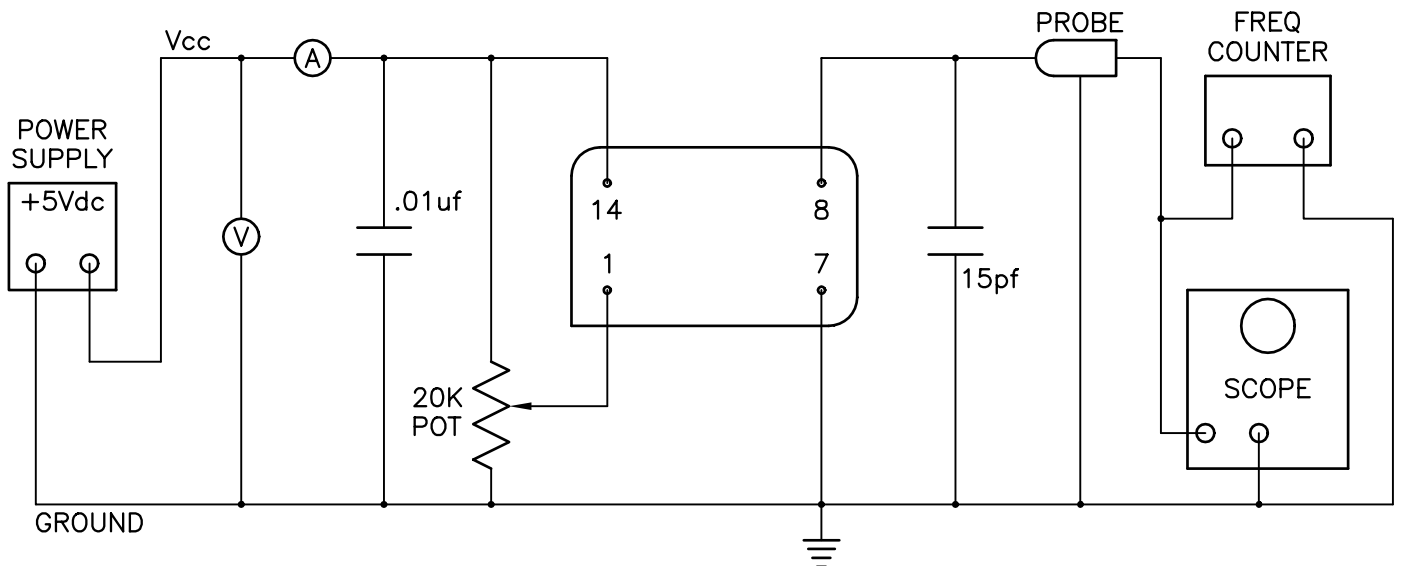
AURORA, IL. 60505
 PHONE (630) 851-4722
 FAX (630) 851-5040

14 PIN DIP HCMOS TCXO

PACKAGE OUTLINE



TEST DIAGRAM



Specifications subject to change without notice

BULLETIN #: TX021
 PAGE 2 OF 2

REV: 01
 DATE: 3/18/96

ISSUED BY: _____