

ABC 54705 Fiber Optic Test Probe Simplex Cable Assembly

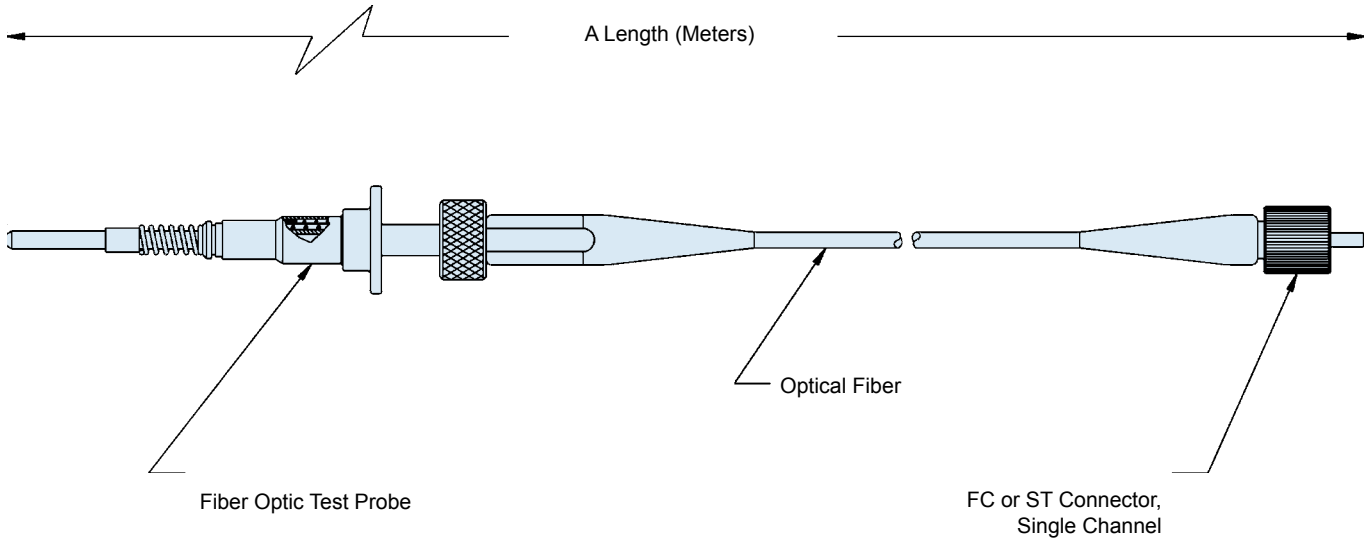
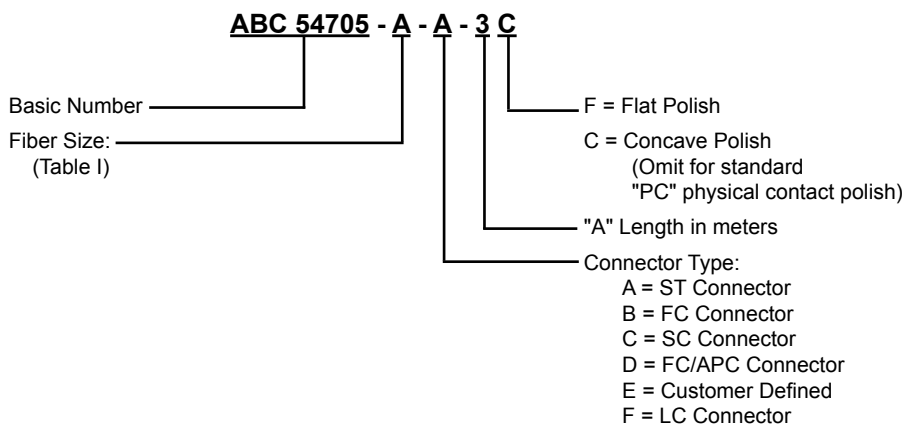


TABLE I: FIBER SIZE	
Symbol	Size
A	100/140 μm
B	62.5/125 μm
C	50/125 μm
D	200/230 μm
E	Singlemode 9.3/125
F	Customer Defined
G	SM 5.8/125 M/F DIA. .21na
H	SM 7.5/125 M/F DIA. .17na

Optical insertion loss ≤ 1.0 dB @ 850 or 1300 nm wavelength.
Glenair Fiber Optic Test Probe U.S. Patent Number 5,960,137.