

**P/N: 16ST6129 DATA SHEET**

**Feature**



- 16-PIN SMD package to meet 10/100 MB/S specification
- Low leakage inductance and winding capacitances for fast rise time.
- High isolation voltages to comply with international safety requirements for LANS.
- Operating temperature range: 0°C to +70°C.
- Storage temperature range: -25°C to +125°C.

**Electrical Specifications @ 25°C**

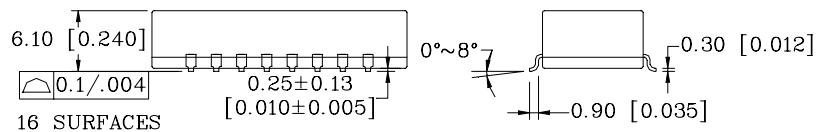
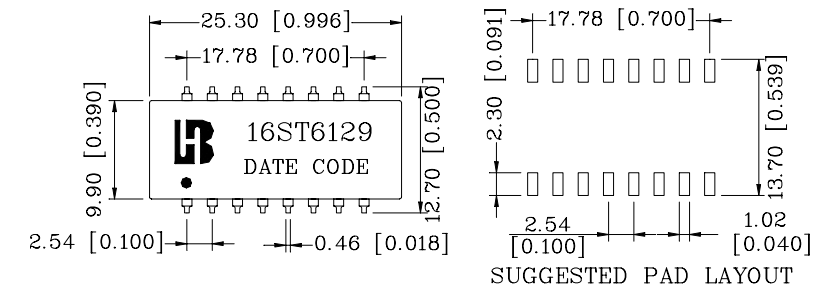
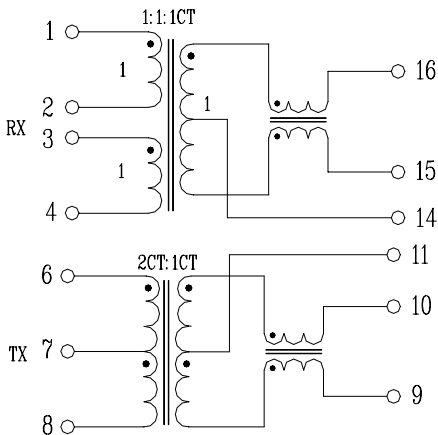
Part Number	Turns Ratio (±5%)		OCL(uH Min) @100KHz/0.1Vrms with 8mA/DC Bias	L.L (uH Max) TX/RX	C <sub>www</sub> (pF Max)	DCR (Ω Max) TX/RX	Rise Time 10%-90% (nS TYP)	HI-POT (Vrms)
	TX	RX						
16ST6129	2CT:1CT	1:1:1CT	350	1.0	28	1.1/0.9	2.5	1500

**Continue**

Part Number	Insertion Loss (dB Max)	Return Loss (dB Min)					Cross talk (dB Min)		DCMR (dB Min) TX/RX		
		0.3-100 MHz	30MHz	40MHz	50MHz	60MHz	80MHz	0.3-60MHz	60-100MHz	30MHz	60MHz
16ST6129	-1.15	-16	-14	-13.5	-13	-12	-45	-35	-40	-30	-25

**Schematic**

**Mechanical**



Units: mm[Inches]    Tolerances: xx.x0±0.25[0.010]  
 0.xx±0.05[0.002]