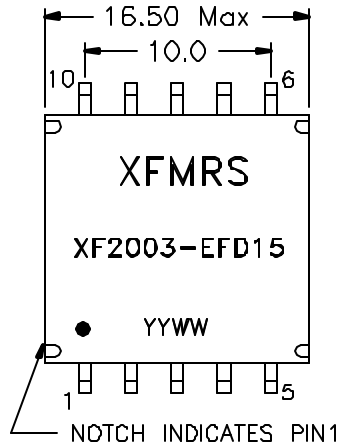
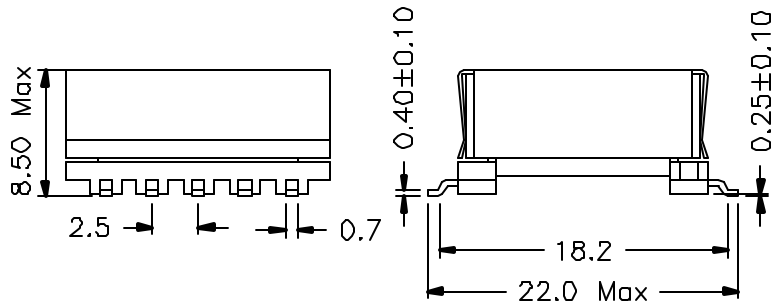
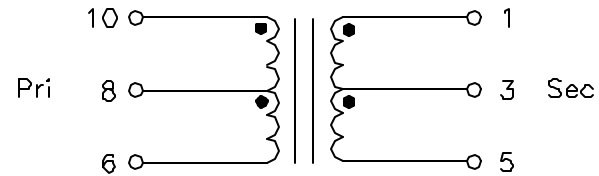


1. Mechanical Dimensions:



2. Schematic:



3. Electrical Specifications:

- OCL: Pins 10-6 200mH Min @10KHz, 0.1V
- Leakage L: Pins 1-5 43uH Max. @100KHz 0.1V
Short 10-6
- Cw/w: Pins 1-10 50pF Typ @100KHz 0.1V
- DC Res: Pins 18.5 Ohms±15% (each)
- Turns Ratio: (10-6) : (1-5) = 1:1±1%
- Isolation: 1250Vrms Pri-Sec
- Return Loss: 15dB Typ 200Hz-100KHz 100 Ohm Load
- Freq Resp.: ±%1dB, 200Hz-112KHz
- Long Bal: 60dB Min 200Hz-1KHz, 40dB Min @ 15KHz
- Insertion Loss: 1.5dB Max 15KHz
- Operating Temp.: -40 to +85°C

Note: Designed to meet the requirements of UL1459.

DOC. REV A/1

THIS DOCUMENT IS STRICTLY NOT ALLOWED TO BE DUPLICATED WITHOUT AUTHORIZATION

XFMRS Inc	Title: Transformer	
	P/N: XF2003-EFD15	REV. A
	DWN. 李清儿	Aug-16-00
	CHK. 孙悦	Aug-16-00
UNLESS OTHERWISE SPECIFIED TOLERANCES: .xx ±0.25 Dimensions in mm	APP. Joe Huff	Aug-16-00
Scale 1.5:1 SHT 1 OF 1		