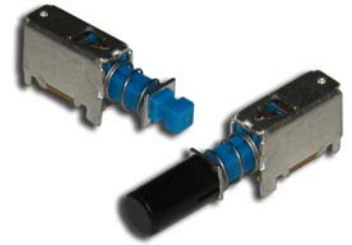


**SPECIFICATIONS**

Electrical Ratings	300mA @ 30VDC
Electrical Life	10,000 cycles typical
Contact Resistance	< 20 mΩ max initial @ 2-4VDC, 100mA
Dielectric Strength	1000Vrms min
Insulation Resistance	> 100MΩ min
Operating Temperature	-40°C to 85°C
Storage Temperature	-40°C to 85°C



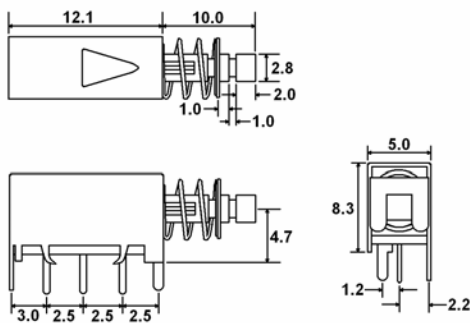
**MATERIALS ←RoHS COMPLIANT**

Actuator	Acetal
Housing	Steel, Tin Plated
Base	Phenolic
Contacts	Phosphor Bronze, Silver Plated
Terminals	Brass, Silver Plated

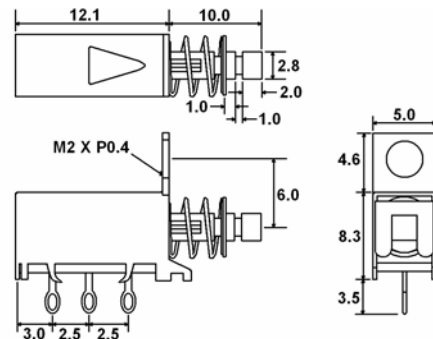
**ORDERING INFORMATION**

<b>1. Series:</b>	MP	1	P	P	L	C033
<b>2. Number of Poles:</b>	1 = SPDT 2 = DPDT					
<b>3. Terminals:</b>	S = Solder Lug P = PC Pin					
<b>4. Case Style:</b>	P = With Case PC Pins (standard for PC pins) M = With Threaded Panel Mount Tab (standard for solder lugs)					
<b>5. Switch Function:</b>	N = Non-latching L = Latching					
<b>6. Actuator Cap:</b>	Blank = No Cap C01 C02 C03 C04 C05					
<b>Cap Colors:</b>	** See Cap Options for color availability					

**DIMENSIONS**

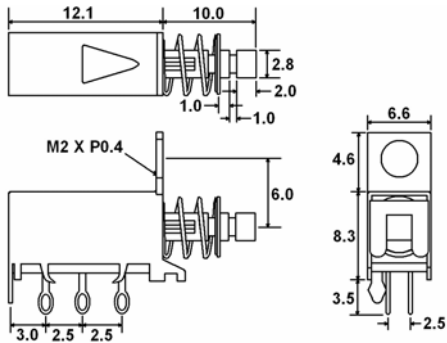


**MP1P**

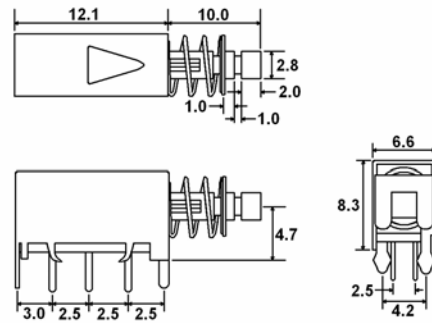


**MP1S**

**DIMENSIONS**



**MP2S**

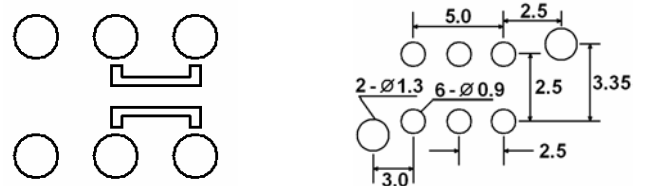


**MP2P**

**SCHEMATICS & PC LAYOUTS**

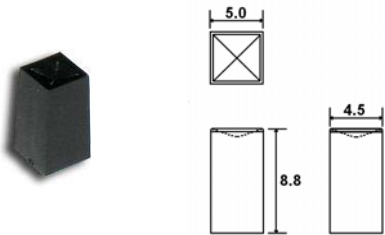


**SPDT**



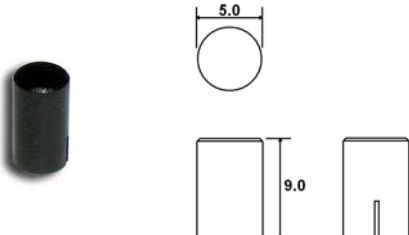
**DPDT**

**CAP OPTIONS**



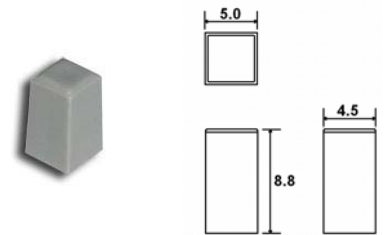
**C01\_**

1 = White, 2 = Black, 3 = Red, 9 = Light Gray  
Contact Factory for other available colors



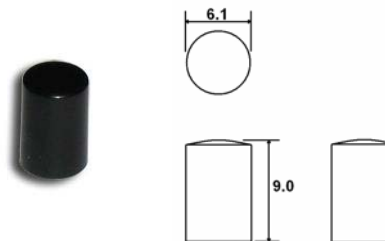
**C02\_**

1 = White, 2 = Black, 3 = Red, 9 = Light Gray  
Contact Factory for other available colors



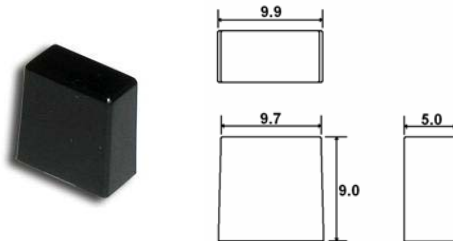
**C03\_**

1 = White, 2 = Black, 3 = Red, 9 = Light Gray  
Contact Factory for other available colors



**C04\_**

1 = White, 2 = Black, 3 = Red, 9 = Light Gray  
Contact Factory for other available colors



**C05\_**

1 = White, 2 = Black, 3 = Red, 9 = Light Gray  
Contact Factory for other available colors