

Chip Ceramic Filters for Communication

Surface Mount Ceramic Filters for Communication (Murata CFUCG Compatible)



▶ Preview

Token chip ceramic filters LTC455/450 U/W series for communication (Compatible to Murata CFUCG series) comprises small, high performance, thin (4.0mm) consisting of 4 ceramic elements. Their innovative construction is perfect for shrinking mobile communication products such as pocket pagers and cellular phones.

The surface mount LTC455/450 U/W series for AM use is one of the most recommendable intermediate filters, having such distinctive features as high selectivity, high stability and adjustment-free operation. Additionally its easy matching with IC helps create an easy circuit design.

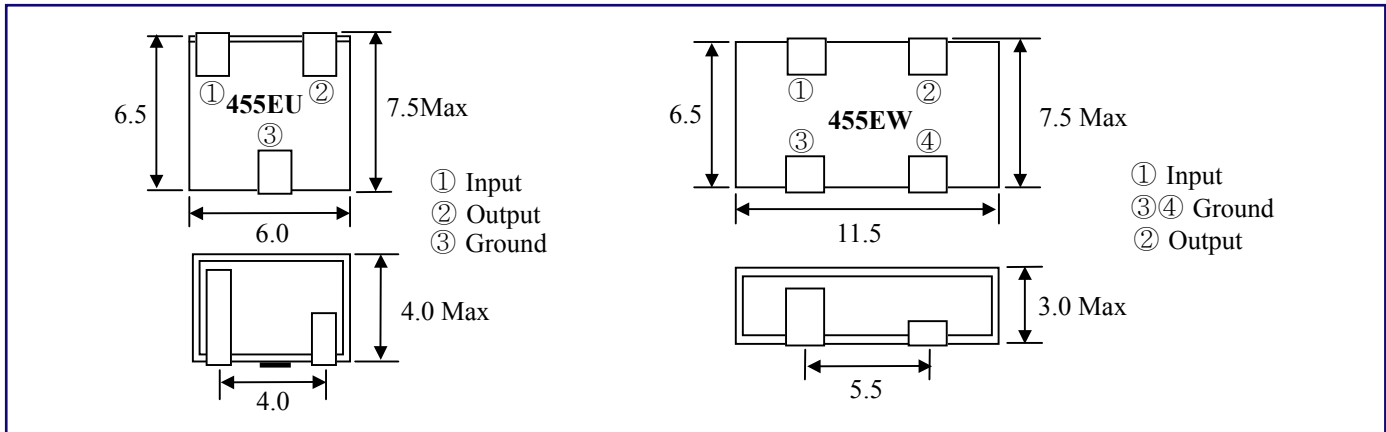
With dimensions (7.5 x 6.0 mm) and 4.0 mm low profile, the LTC455/450 U/W filters have a small mounting area enabling flexible PCB design and are suitable for automatic placers. Standard Center Frequency is 455kHz with tolerance ± 1.5 and 450kHz is also available. Pass Band Ripple (dB) max is 2db, Input / Output Impedance is 1000 Ω and 1500 Ω .

Custom parts are available on request. Token will also produce devices outside these specifications to meet specific customer requirements, please contact our sales for more information.

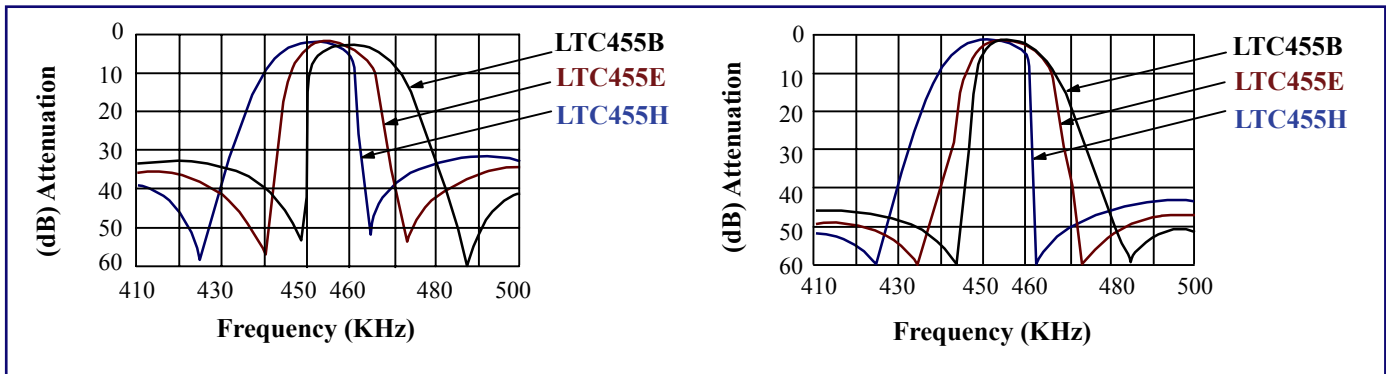
▶ Features

- They are slim, at only 4.0mm max. thickness, and have a small mounting area enabling flexible PCB design.
- Operating temperature range: -20°C to +80°C.
- Can be reflow soldered and withstand washing.
- The bandwidth ranges from D to G.
- Mountable by automatic placers.

Dimensions



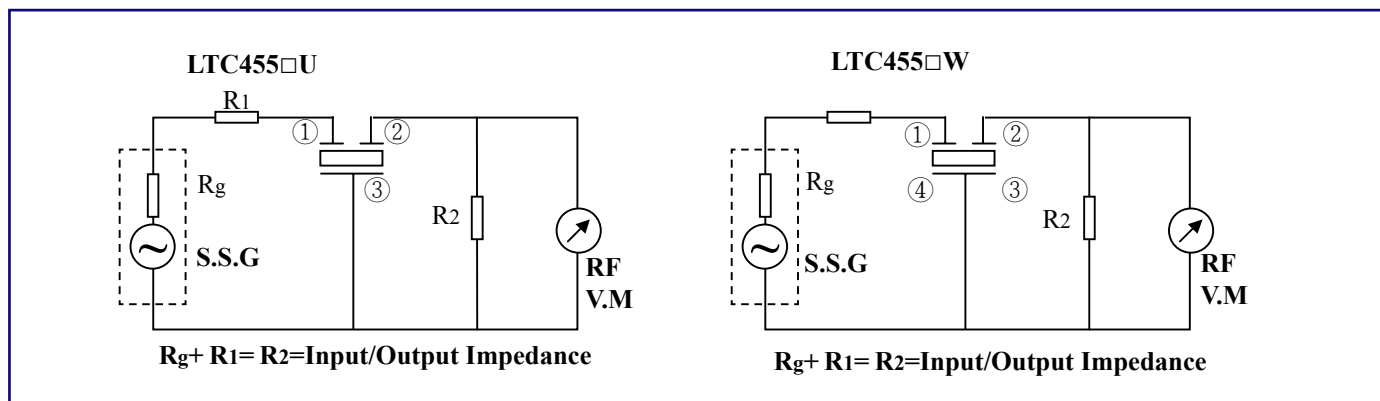
Technical Characteristics



Part Number		Center Frequency (fo)(kHz)	Insertion Loss (dB) max		Pass Band Ripple (dB) max	6dB Band Width (kHz) min	40dB Band Width (kHz) min	50dB Band Width (kHz) min	Spurious Attenuation fo±100kHz (dB) min		Input / Output Impedance (Ω)
			LTC 455U	LTC 455W					LTC 455U	LTC 455W	
LTC 455BU	LTC 455BW	455±1.5	4	4	2	±15.0	±30	±30	27	50	1000
LTC 455CU	LTC 455CW	455±1.5	4	4	2	±12.5	±25	±25	27	50	1000
LTC 455DU	LTC 455DW	455±1.5	4	4	2	±10.0	±20	±20	27	50	1500
LTC 455EU	LTC 455EW	455±1.5	6	4	2	±7.5	±15	±15	27	50	1500
LTC 455FU	LTC 455FW	455±1.5	6	6	2	±6.0	±12	±12	27	47	1500
LTC 455GU	LTC 455GW	455±1.5	6	6	2	±4.5	±10	±10	25	47	1500
LTC 455HU	LTC 455HW	455±1.5	6	6	2	±3.0	±9.0	±9.0	25	47	1500
LTC 455IU	LTC 455IW	455±1.5	6	6	2	±2.0	±7.5	±7.5	25	47	1500

Note: Center frequency 450KHz is also available.

▶ Test Circuit



▶ How to Order

LTC455BU

❶

P

❷

❶ Part Number

❷ Package

Back to 1st Page - Ceramic Filters for Communication - LTC 455/450