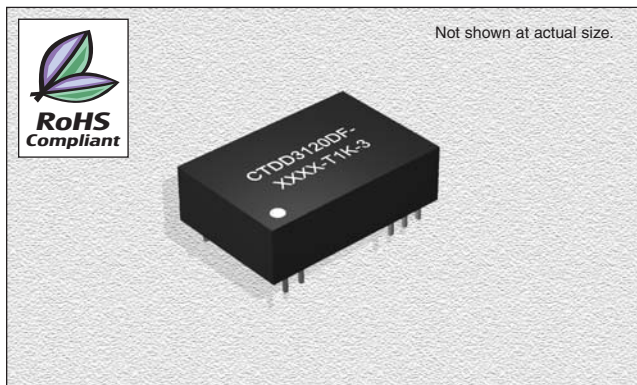


CTDD3120DF-T1K-3 Series

Wide Input Isolated & Regulated

3W Output, Twin Output



FEATURES

- Efficiency:** To 85%
- Temperature Range:** -40°C to +85°C
- Package:** UL94-V0
- Isolation:** 1KVDC
- Miscellaneous:** Wide (2:1) Input Range. No heat sink required. Industry Standard Pinout. Twin Isolated Output. Custom service available.
- Samples available.**

CHARACTERISTICS

- Output Short Circuit Protection:** Continuous
- Temperature Rise at Full Load:** 30°C (Typ.)
- Cooling:** Free air convection
- No Load, Power Consumption:** 100mW (typical)
- Operating Temperature Range:** -40°C to +85°C
- Storage Temperature Range:** -55°C to +125°C
- Lead Temperature:** 300°C (1.5mm from case for 10 seconds)
- Storage Humidity Range:** ≤ 95%
- Case Material:** Plastic (UL94-V0)
- MTBF:** >3,500,000 hours
- Miscellaneous:** RoHS Compliant.

SPECIFICATIONS

Part Number	Vin Nom. (VDC)	Input Range (VDC)	Vin Max.* (VDC)	Vo1,Vo2 (VDC)	Io1, Io2 Max. (mA)	Io1, Io2 Min. (mA)	Effi. Typ. (%)
CTDD3120DF-050505-T1K-3	5	4.5-9.0	11	5	300	30	72
CTDD3120DF-050909-T1K-3	5	4.5-9.0	11	9	160	16	74
CTDD3120DF-051212-T1K-3	5	4.5-9.0	11	12	125	13	78
CTDD3120DF-051515-T1K-3	5	4.5-9.0	11	15	100	10	78
CTDD3120DF-120505-T1K-3	12	9.0-18	22	5	300	30	73
CTDD3120DF-120909-T1K-3	12	9.0-18	22	9	160	16	77
CTDD3120DF-121212-T1K-3	12	9.0-18	22	12	125	13	79
CTDD3120DF-121515-T1K-3	12	9.0-18	22	15	100	10	79
CTDD3120DF-150505-T1K-3	15	12-24	30	5	300	30	74
CTDD3120DF-150909-T1K-3	15	12-24	30	9	160	16	78
CTDD3120DF-151212-T1K-3	15	12-24	30	12	125	13	79
CTDD3120DF-151515-T1K-3	15	12-24	30	15	100	10	79
CTDD3120DF-240505-T1K-3	24	18-36	40	5	300	30	77
CTDD3120DF-240909-T1K-3	24	18-36	40	9	160	16	79
CTDD3120DF-241212-T1K-3	24	18-36	40	12	125	13	80
CTDD3120DF-241515-T1K-3	24	18-36	40	15	100	10	80
CTDD3120DF-480505-T1K-3	48	36-72	80	5	300	30	77
CTDD3120DF-480909-T1K-3	48	36-72	80	9	160	16	80
CTDD3120DF-481212-T1K-3	48	36-72	80	12	125	13	81
CTDD3120DF-481515-T1K-3	48	36-72	80	15	100	10	81

*If Input voltage above specified may cause permanent damage to the device

ISOLATION SPECIFICATIONS

Item	Test Condition	MIN	TYP	MAX	Units
Isolation Voltage	Flash tested for 1 minute	1000			VDC
Isolation Resistance	Test at 500VDC	1000			MΩ

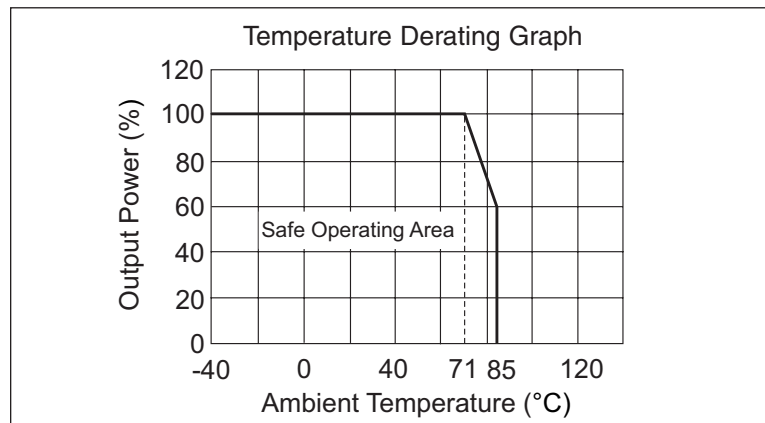
OUTPUT SPECIFICATIONS

Item	Test Condition	MIN	TYP	MAX	Units
3W Output Power		0.3		3	W
Output voltage accuracy	Refer to Recommended Circuit		±1	±3	%
Load regulation	From 10% to 100% load		±0.5	±1	%
Line regulation	Input Voltage from low to high		±0.2	±0.5	%
Temperature drift (Vout)	Refer to Temp. Derating Graph			0.03	%/°C
Ripple	20Hz to 300kHz Bandwidth		30	60	mVp-p
Noise	DC-20MHz Bandwidth		80	150	mVp-p
Switching frequency	100% load, nominal input voltage	80		200	KHz
Switching frequency	10% load, nominal input voltage	250		600	KHz

Note:

1. All specifications measured at TA=25°C, humidity<75%, nominal input voltage and rated output unless otherwise specified.

TYPICAL CHARACTERISTICS

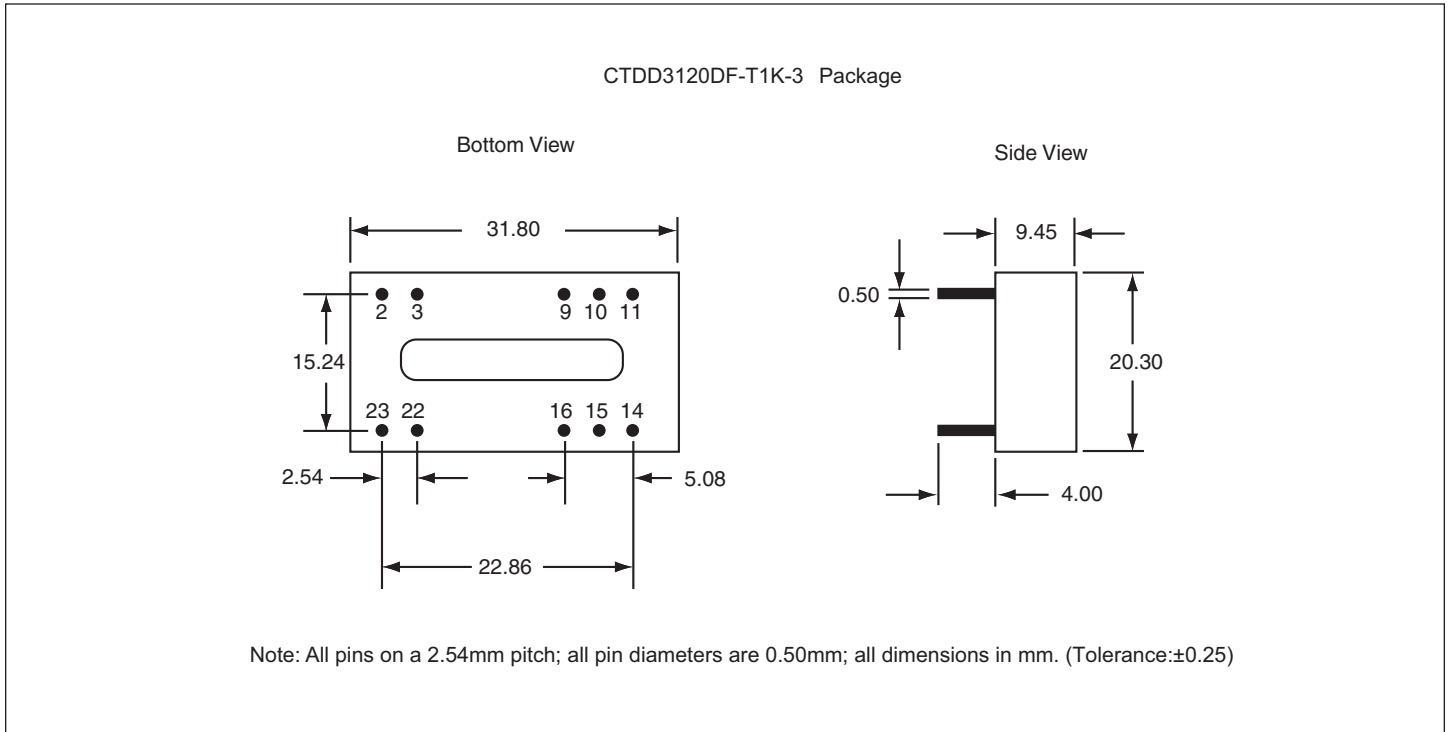


12.20.06

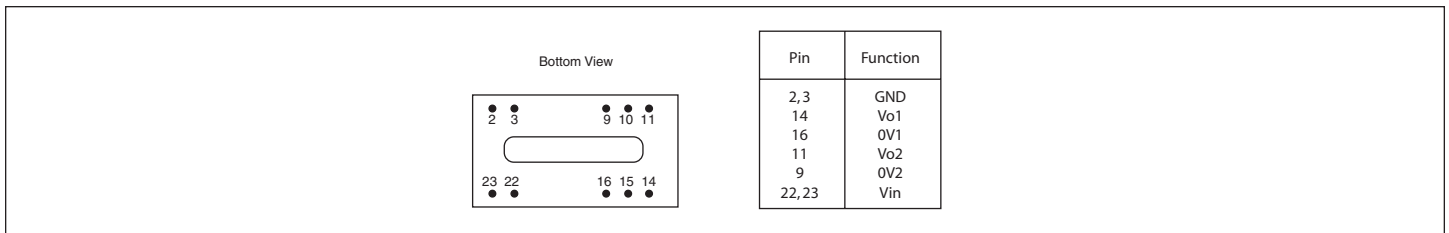
CTDD3120DF-T1K-3 Series

Wide Input Isolated & Regulated
3W Output, Twin Output

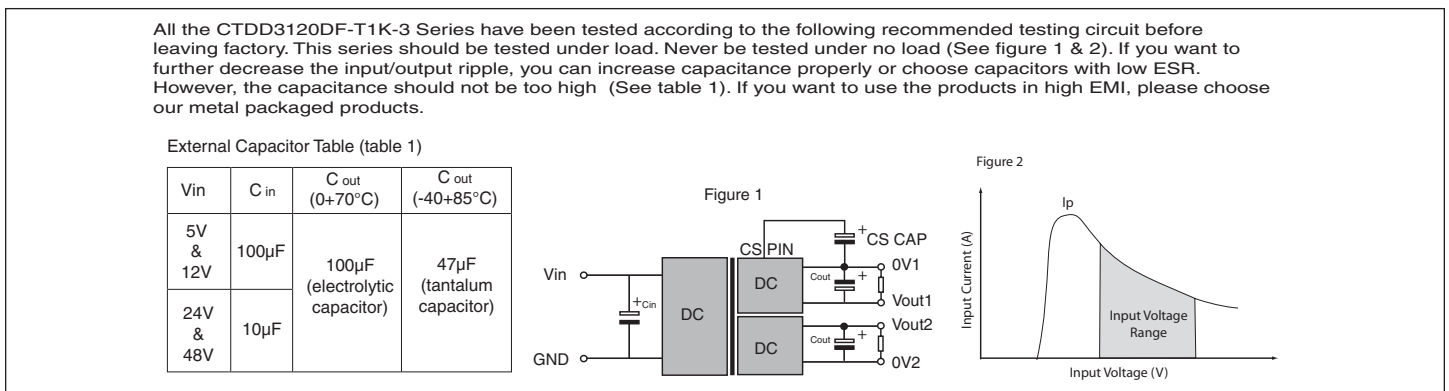
OUTLINE DIMENSIONS & RECOMMENDED FOOTPRINT DETAILS



PIN CONNECTIONS



RECOMMENDED CIRCUIT



12.20.06