

10/100 BASE-T SINGLE PORT TRANSFORMER MODULES

P/N:16ST1148M DATE SHEET

Feature



- 1:1 Transmit turns ratios compatible with Broadcom, ICS, INTEL, KENDIN, level one.
- Lucent transceivers, national semiconductor, SEEQ and TDK.
- Meets all IEEE 802.3 and ANSI X3.263 Standards Including 350uH OCL with 8mA Bias.
- IC Grade transfer-molded package with standards 235• IR reflow.
- Patented interlock base construction for high reliability.
- Rise time optimized for national's DP83813.
- Operating temperature range: -40°C to +85°C.
- Storage temperature range: -40°C to +125°C.

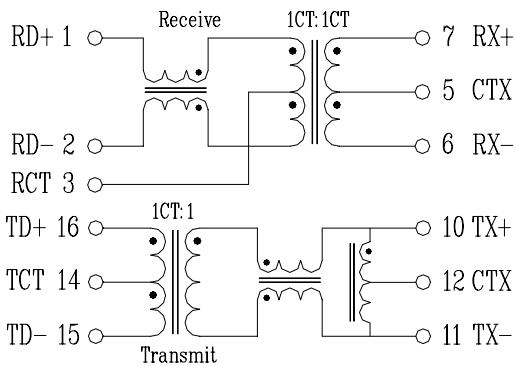
Electrical Specifications @ 25°C

Part Number	Turns Ratio (±5%)		PRI.OCL (uH Min) @ 100KHz/0.1Vrms with 8mA/DC Bias	CWW (pF Max)	L.L (uH Max)	Rise Time (10-90%) nS TYP	Voltage Isolation (Vrms)
	TX	RX					
16ST1148M	1CT:1	1CT:1CT	350	28	0.6	2.5	1500

Continue

Part Number	Insertion Loss (dB Max)	Return Loss (dB Min)				Cross talk (dB Min)		DCMR TX/RX(dB Min)		
		0.3-100 MHz	0.3-30MHz	40MHz	50MHz	60-80MHz	0.3-60MHz	60-100MHz	30MHz	60MHz
16ST1148M	-1.15	-18	-13.5	-11.5	-10	-45	-35	-42/-40	-35/-30	-28/-25

Schematic



Mechanical

