

IEC Appliance Inlet C14 with Fuseholder 1- or 2-pole



**Description**

- Panel Mount:
- Screw-on from front side,
- Appliance Inlet,
- Protection class I Fuseholder for fuse-links 5 x 20 mm 2-pole, Protection class I, Pin temperature 70 °C
- Solder terminals or quick connect terminals

**Approvals**

- CSA License Number: 1084381

**Characteristics**

- The fuseholder is accessible from the equipment front
- The fuse drawer "Fingergrip" can be removed by hand
- With or without rear-side insulation cover

**References**

[General Product Information](#)

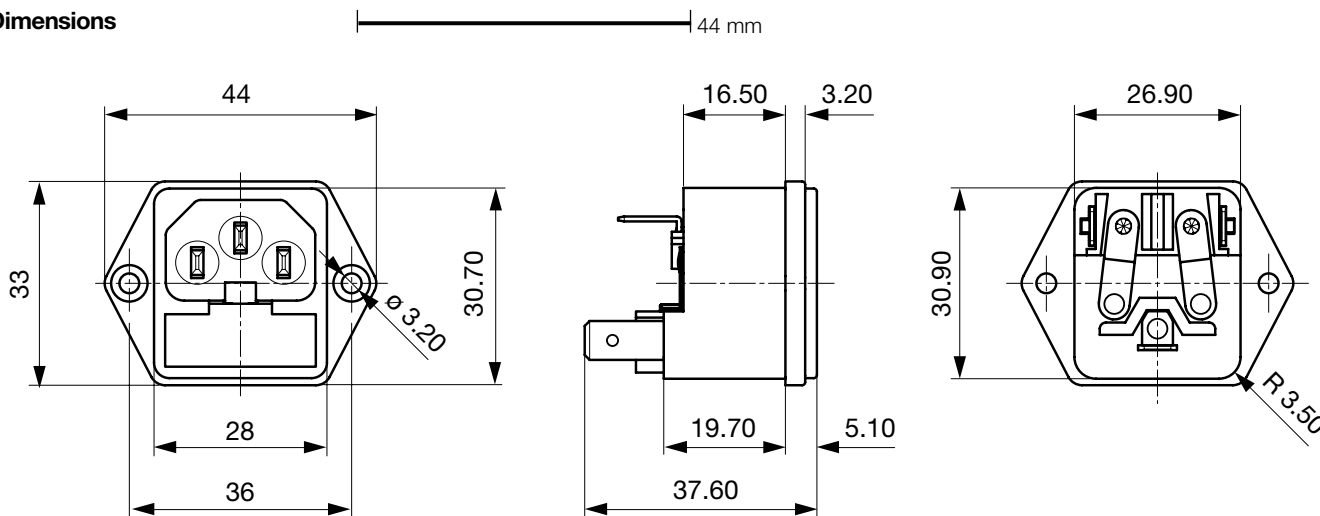
**Weblinks**

[Approvals](#), [RoHS](#), [CHINA-RoHS](#), [Mating Connectors](#), [e-Store](#), [Distributor-Stock-Check](#), [Accessories](#)

**Technical Data**

|                           |  |                              |   |
|---------------------------|--|------------------------------|---|
| Ratings IEC               | 10A / 250VAC; 50Hz   | Appliance Inlet              | C14 acc. to IEC/EN 60320-1  |
| Ratings UL/CSA            | 10A / 250VAC; 60Hz   |                              | UL 498, CSA C22.2 no. 42 (for cold conditions) pin-temperature 70 °C, 10A, Protection Class 1 |
| Dielectric Strength       | > 3 kVAC between L-N<br>> 1.5 kVAC between L/N-PE<br>(1 min/50Hz)                                | Fuseholder                   | 2-pole, acc. to IEC 60127-6, for fuse-links 5 x 20 mm   |
| Allowable Operation Temp. | -25 °C to 70 °C  | Power Acceptance @ Ta > 23°C | Admissible power acceptance at higher ambient temperature see derating curves                 |
| Degree of Protection      | from front side IP 20 acc. to IEC 60529  |                              |   |
| Protection Class          | Suitable for appliances with protection class 1 acc. to IEC 61140                                |                              |   |
| Terminal                  | Solder terminals or quick connect terminals Solder terminals or quick connect terminals straight |                              |   |
| Material: Housing         | UL 94V-0   |                              |   |

**Dimensions**



length of the terminal please find at the order code configuration table

## Config. Code

Product Configurator

1092 - H - A B C N - D - E G O


The characters are placeholders for the correspondingly keys of selections from the key tables.

## 1092 - H - A B C N - D - E G O = Type

| Type               | Configuration key |
|--------------------|-------------------|
| protection class 1 | X                 |

## 1092 - H - A B C N - D - E G O = Terminals

| Terminal L                      | Configuration key |
|---------------------------------|-------------------|
| short solder terminal (L=4,8mm) | 2                 |
| long solder terminal (L=8,5mm)  | 3                 |
| blade terminal (2,8x0,8mm)      | 7                 |
| blade terminal (4,8x0,8mm)      | 8                 |
| blade terminal (6,3x0,8mm)      | 9                 |
| connection to fuse holder       | B                 |



## 1092 - H - A B C N - D - E G O = Terminals

| Terminal N                      | Configuration key |
|---------------------------------|-------------------|
| short solder terminal (L=4,8mm) | 2                 |
| long solder terminal (L=8,5mm)  | 3                 |
| blade terminal (2,8x0,8mm)      | 7                 |
| blade terminal (4,8x0,8mm)      | 8                 |
| blade terminal (6,3x0,8mm)      | 9                 |
| connection to fuse holder       | B                 |

Symbols similar as in table A

## 1092 - H - A B C N - D - E G O = Terminals

| Terminal Ground                 | Configuration key |
|---------------------------------|-------------------|
| short solder terminal (L=4,8mm) | 2                 |
| long solder terminal (L=8,5mm)  | 3                 |
| blade terminal (2,8x0,8mm)      | 7                 |
| blade terminal (4,8x0,8mm)      | 8                 |
| blade terminal (6,3x0,8mm)      | 9                 |

Symbols similar as in table A

## 1092 - H - A B C N - D - E G O = Terminal Fuseholder

| Terminal Fuseholder        | Configuration key |
|----------------------------|-------------------|
| solder terminal            | 1                 |
| blade terminal (2,8x0,8mm) | 7                 |
| blade terminal (4,8x0,8mm) | 8                 |
| blade terminal (6,3x0,8mm) | 9                 |

## 1092 - H - A B C N - D - E G O = Color

| Color                 | Configuration key |
|-----------------------|-------------------|
| jet black; RAL9005    | A                 |
| silver grey; RAL7001  | B                 |
| pure white; RAL9010   | D                 |
| standard color: black |                   |

## 1092 - H - A B C N - D - E G O = Style

| Style                         | Configuration key |
|-------------------------------|-------------------|
| flange with countersunk holes | 1                 |
| flange with through holes     | 2                 |

## 1092 - H - A B C N - D - E G O = Dimension X

| Dimension "X" | Configuration key |
|---------------|-------------------|
| 00            |                   |

The dimension "X" is displayed in ( $1/10$  mm). This information is also valid for the order code

## 1092 - H - A B C N - D - E G O = Features

| Features   | Configuration key |
|--|-------------------|
| dead cover   | 1                 |
| holder for 1 or 2 fuses (text legible, when inlet on top)    | 4                 |
| holder for 1 or 2 fuses (text legible, when inlet on bottom) | 5                 |

## Variants

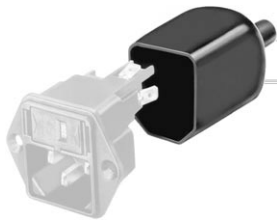
| Config. Code       | Description   | Order Number |
|--------------------|---|--------------|
| 1092-X-BB88-A-1004 | 1092, IEC Power Entry Module C14, 70°C, version: 1, L: connection to fuse holder, N: connection to fuse holder, ground: blade terminal (4,8x0,8mm), fuseholder: blade terminal (4,8x0,8mm), color: jet black; RAL9005, design: flange with countersunk holes, dimension X: 00, features: holder for 1 or 2 fuses (text legible, when inlet on top), | 4304.6112    |

The listed variants should be available from stock. Other versions on request [www.schurter.com/contact](http://www.schurter.com/contact)

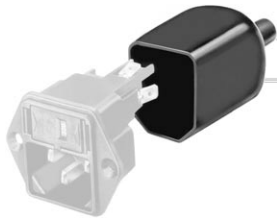
Packaging unit 50 Pcs

Accessories

Description



0859.0047  
Rear Cover



4311.9403  
Rear Cover

Mating Outlets/Connectors

Category / Description

[Appliance Outlet Overview complete](#)



|   |      |
|---|------|
| IEC Appliance Outlet F, Screw-on Mounting, Front Side, Solder or Quick-connect Terminal           | 4787 |
| IEC Appliance Outlet F, Snap-in Mounting, Front Side, Solder or Quick-connect Terminal            | 4788 |
| IEC Appliance Outlet F or H, Screw-on Mounting, Front Side, Solder, PCB or Quick-connect Terminal | 5091 |
| IEC Appliance Outlet F or H, Screw-on Mounting, Front Side, Solder or Quick-connect Terminal      | 5092 |

[Appliance Outlet further types to 1092](#)

[Connector Overview complete](#)



|  |        |
|--|--------|
| IEC Connector C15, Rewireable, Straight  | 0101   |
| IEC Connector C15A, Rewireable, Straight | 0102   |
| IEC Connector C15A, Rewireable, Straight | 0102-G |
| IEC Connector C15A, Rewireable, Angled   | 0112   |
| IEC Connector C13, Rewireable, Angled    | 4012   |

[Connector further types to 1092](#)

...

[Power Cord Overview complete](#)



|   |      |
|---|------|
| Power Cord with IEC Connector C13, Angled | 0311 |
| Power Cord with IEC Connector C13, Angled | 3011 |
| Power Cord with IEC Connector C13, Angled | 3012 |
| Power Cord with IEC Connector C13, Angled | 3013 |
| Power Cord with IEC Connector C13         | 3020 |

[Power Cord further types to 1092](#)

...



IEC Appliance Inlet C14 with Fuseholder 1- or 2-pole



C14  
  
 70 °C

**Description**

- Panel Mount:
- Screw-on from front side,
- Appliance Inlet,
- Protection class I Fuseholder for fuse-links 5 x 20 mm 2-pole, Protection class I, Pin temperature 70 °C
- Solder terminals or quick connect terminals

**Approvals**

- CSA License Number: 1084381

**Characteristics**

- The fuseholder is accessible from the equipment front
- The fuse drawer "Fingergrip" can be removed by hand
- With or without rear-side insulation cover

**References**

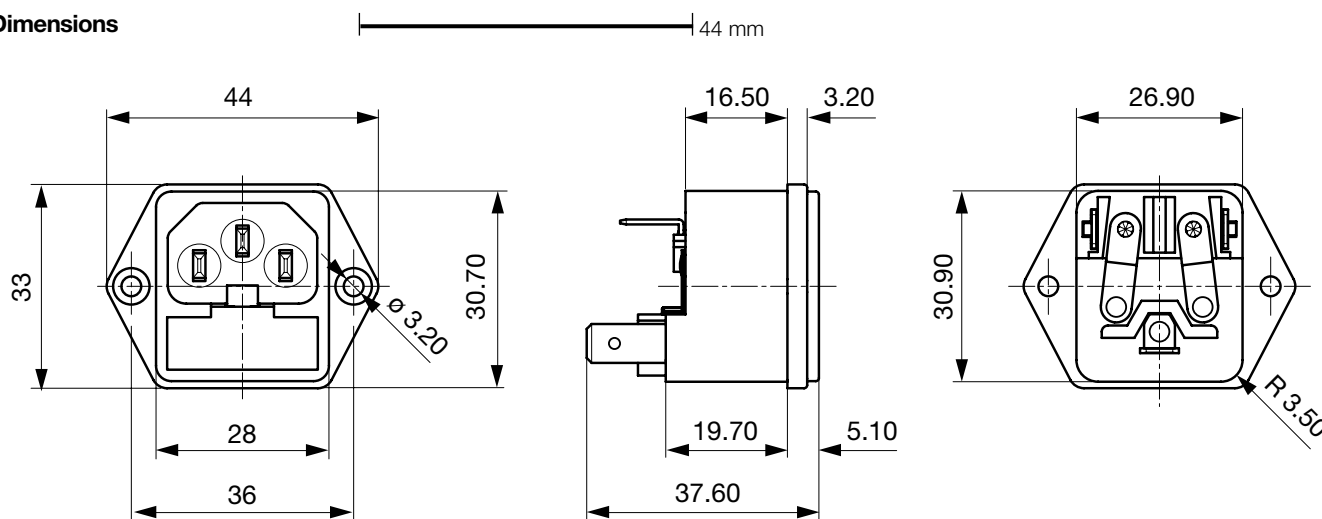
[General Product Information](#)

**Weblinks**

[Approvals](#), [RoHS](#), [CHINA-RoHS](#), [Mating Connectors](#), [e-Store](#), [Distributor-Stock-Check](#), [Accessories](#)

**Technical Data**

|                           |  |                              |   |
|---------------------------|--|------------------------------|---|
| Ratings IEC               | 10A / 250VAC; 50Hz   | Appliance Inlet              | C14 acc. to IEC/EN 60320-1  |
| Ratings UL/CSA            | 10A / 250VAC; 60Hz   |                              | UL 498, CSA C22.2 no. 42 (for cold conditions) pin-temperature 70 °C, 10A, Protection Class 1 |
| Dielectric Strength       | > 3 kVAC between L-N<br>> 1.5 kVAC between L/N-PE<br>(1 min/50Hz)                                | Fuseholder                   | 2-pole, acc. to IEC 60127-6, for fuse-links 5 x 20 mm   |
| Allowable Operation Temp. | -25 °C to 70 °C  | Power Acceptance @ Ta > 23°C | Admissible power acceptance at higher ambient temperature see derating curves                 |
| Degree of Protection      | from front side IP 20 acc. to IEC 60529  |                              |   |
| Protection Class          | Suitable for appliances with protection class 1 acc. to IEC 61140                                |                              |   |
| Terminal                  | Solder terminals or quick connect terminals Solder terminals or quick connect terminals straight |                              |   |
| Material: Housing         | UL 94V-0   |                              |   |

**Dimensions**

length of the terminal please find at the order code configuration table

## Config. Code

Product Configurator

1092 - H - A B C N - D - E G O


The characters are placeholders for the correspondingly keys of selections from the key tables.

## 1092 - H - A B C N - D - E G O = Type

| Type               | Configuration key |
|--------------------|-------------------|
| protection class 1 | X                 |

## 1092 - H - A B C N - D - E G O = Terminals

| Terminal L                      | Configuration key |
|---------------------------------|-------------------|
| short solder terminal (L=4,8mm) | 2                 |
| long solder terminal (L=8,5mm)  | 3                 |
| blade terminal (2,8x0,8mm)      | 7                 |
| blade terminal (4,8x0,8mm)      | 8                 |
| blade terminal (6,3x0,8mm)      | 9                 |
| connection to fuse holder       | B                 |



## 1092 - H - A B C N - D - E G O = Terminals

| Terminal N                      | Configuration key |
|---------------------------------|-------------------|
| short solder terminal (L=4,8mm) | 2                 |
| long solder terminal (L=8,5mm)  | 3                 |
| blade terminal (2,8x0,8mm)      | 7                 |
| blade terminal (4,8x0,8mm)      | 8                 |
| blade terminal (6,3x0,8mm)      | 9                 |
| connection to fuse holder       | B                 |

Symbols similar as in table A

## 1092 - H - A B C N - D - E G O = Terminals

| Terminal Ground                 | Configuration key |
|---------------------------------|-------------------|
| short solder terminal (L=4,8mm) | 2                 |
| long solder terminal (L=8,5mm)  | 3                 |
| blade terminal (2,8x0,8mm)      | 7                 |
| blade terminal (4,8x0,8mm)      | 8                 |
| blade terminal (6,3x0,8mm)      | 9                 |

Symbols similar as in table A

## Variants

| Config. Code       | Description   | Order Number |
|--------------------|---|--------------|
| 1092-X-BB88-A-1004 | 1092, IEC Power Entry Module C14, 70°C, version: 1, L: connection to fuse holder, N: connection to fuse holder, ground: blade terminal (4,8x0,8mm), fuseholder: blade terminal (4,8x0,8mm), color: jet black; RAL9005, design: flange with countersunk holes, dimension X: 00, features: holder for 1 or 2 fuses (text legible, when inlet on top), | 4304.6112    |

The listed variants should be available from stock. Other versions on request [www.schurter.com/contact](http://www.schurter.com/contact)

Packaging unit 50 Pcs

## 1092 - H - A B C N - D - E G O = Terminal Fuseholder

| Terminal Fuseholder        | Configuration key |
|----------------------------|-------------------|
| solder terminal            | 1                 |
| blade terminal (2,8x0,8mm) | 7                 |
| blade terminal (4,8x0,8mm) | 8                 |
| blade terminal (6,3x0,8mm) | 9                 |

## 1092 - H - A B C N - D - E G O = Color

| Color                 | Configuration key |
|-----------------------|-------------------|
| jet black; RAL9005    | A                 |
| silver grey; RAL7001  | B                 |
| pure white; RAL9010   | D                 |
| standard color: black |                   |

## 1092 - H - A B C N - D - E G O = Style

| Style                         | Configuration key |
|-------------------------------|-------------------|
| flange with countersunk holes | 1                 |
| flange with through holes     | 2                 |

## 1092 - H - A B C N - D - E G O = Dimension X

| Dimension "X" | Configuration key |
|---------------|-------------------|
| 00            |                   |

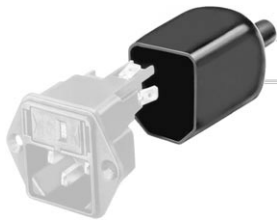
The dimension "X" is displayed in ( $\frac{1}{10}$  mm). This information is also valid for the order code

## 1092 - H - A B C N - D - E G O = Features

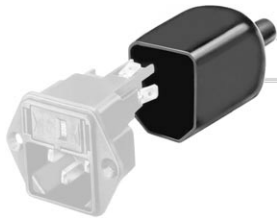
| Features   | Configuration key |
|--|-------------------|
| dead cover   | 1                 |
| holder for 1 or 2 fuses (text legible, when inlet on top)    | 4                 |
| holder for 1 or 2 fuses (text legible, when inlet on bottom) | 5                 |

Accessories

Description



0859.0047  
Rear Cover



4311.9403  
Rear Cover

Mating Outlets/Connectors

Category / Description

[Appliance Outlet Overview complete](#)



|   |      |
|---|------|
| IEC Appliance Outlet F, Screw-on Mounting, Front Side, Solder or Quick-connect Terminal           | 4787 |
| IEC Appliance Outlet F, Snap-in Mounting, Front Side, Solder or Quick-connect Terminal            | 4788 |
| IEC Appliance Outlet F or H, Screw-on Mounting, Front Side, Solder, PCB or Quick-connect Terminal | 5091 |
| IEC Appliance Outlet F or H, Screw-on Mounting, Front Side, Solder or Quick-connect Terminal      | 5092 |

[Appliance Outlet further types to 1092](#)

[Connector Overview complete](#)



|  |        |
|--|--------|
| IEC Connector C15, Rewireable, Straight  | 0101   |
| IEC Connector C15A, Rewireable, Straight | 0102   |
| IEC Connector C15A, Rewireable, Straight | 0102-G |
| IEC Connector C15A, Rewireable, Angled   | 0112   |
| IEC Connector C13, Rewireable, Angled    | 4012   |

[Connector further types to 1092](#)

...

[Power Cord Overview complete](#)



|   |      |
|---|------|
| Power Cord with IEC Connector C13, Angled | 0311 |
| Power Cord with IEC Connector C13, Angled | 3011 |
| Power Cord with IEC Connector C13, Angled | 3012 |
| Power Cord with IEC Connector C13, Angled | 3013 |
| Power Cord with IEC Connector C13         | 3020 |

[Power Cord further types to 1092](#)

...